

# LEAD FREE\*

## Series LF622F/FT/UF/UFT Lead Free\* Bronze, Full Port Ball Valves

Size: ½" - 2"



Series LF622UF



Series LF622FT

### Features

- The FEBCO Series LF622FT/LF622UFT available with tapped side outlet suitable for installation of pressure gauges or test cocks. LF622UF/UFT with Union Ends.
- Lead Free\* construction to comply with Lead Free\* installation requirements.
- Tee handle standard on ½" through 1¼" sizes (15mm – 32mm).
- Lever handle standard on 1½" through 2" sizes (40mm – 50mm).
- Full port design for low pressure drop.
- Pressure rated at 600psi (41.4 bar) WOG, (non-shock) ½"-2" (15mm – 50mm) (DN15-DN50) and 125psi (8.6 bar) saturated steam.
- Suitable for temperature from 0°F to +350°F (-18°C to 177°C) at 50psi (345 kPa).
- PTFE stem packing seal, thrust washer and seat.
- Plated carbon steel handle with vinyl insulator.
- Quarter-turn open or close operation. (Not intended for throttling applications.)
- Ideal for throttling and balancing applications of non-abrasive fluids where minimum flow is 20% to 100% of valve capacity.
- Low operating torque.
- Adjustable stem packing gland.
- Bottom loaded, pressure retaining stem.

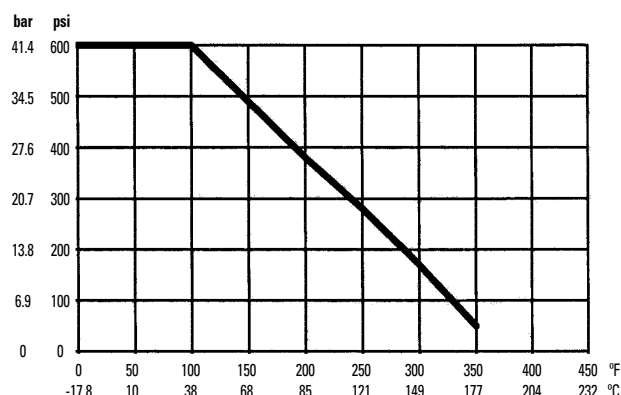
### Options

- LF622F: Full Port Thread x Thread Ball Valve  
 LF622FT: Full Port Thread x Thread Ball Valve with Tapped Side Outlet  
 LF622 UF: Full Port Thread x Thread Ball Valve with (1) Union End  
 LF622 UFT: Full port Thread x Thread Ball Valve with (1) Union End with Tapped Side Outlet

### NOTICE

The information contained herein is not intended to replace the full product installation and safety information available or the experience of a trained product installer. You are required to thoroughly read all installation instructions and product safety information before beginning the installation of this product.

### Seat Rating



### Specification

Approved valves shall have bottom loaded pressure retaining stems, PTFE seats and full port. Valve shall be pressure rated at 600psi (41.4 bar) WOG (non-shock), 125psi (8.6 bar) saturated steam. Valve must conform to Federal Specification WWV-V-35C, Type II, Composition, BZ, Style 3, End Connection A. The Lead Free\* copper silicon alloy full port ball valves shall comply with state codes and standards, where applicable, requiring reduced lead content. Valve shall be a FEBCO Series LF622F.

### CV Factor

| SIZE       | GPM                               | LITERS                          |
|------------|-----------------------------------|---------------------------------|
| <i>in.</i> | <i>C<sub>v</sub> (gpm / √psi)</i> | <i>C<sub>v</sub> (L / √psi)</i> |
| ½          | 15                                | 56.8                            |
| ¾          | 30                                | 113.6                           |
| 1          | 60                                | 227.1                           |
| 1¼         | 110                               | 416.4                           |
| 1½         | 130                               | 492.1                           |
| 2          | 360                               | 1362.7                          |

\*The wetted surface of this product contacted by consumable water contains less than 0.25% of lead by weight.

Job Name \_\_\_\_\_

Job Location \_\_\_\_\_

Engineer \_\_\_\_\_

Approval \_\_\_\_\_

Contractor \_\_\_\_\_

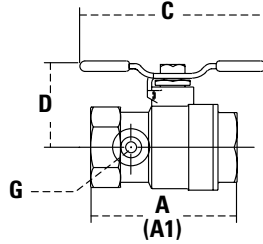
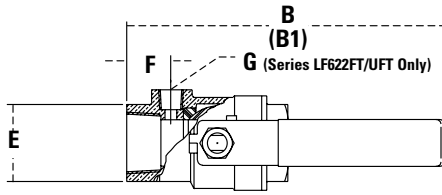
Approval \_\_\_\_\_

Contractor's P.O. No. \_\_\_\_\_

Representative \_\_\_\_\_

FEBCO product specifications in U.S. customary units and metric are approximate and are provided for reference only. For precise measurements, please contact FEBCO. FEBCO reserves the right to change or modify product design, construction, specifications, or materials without prior notice and without incurring any obligation to make such changes and modifications on FEBCO products previously or subsequently sold.

## Dimensions – Weights



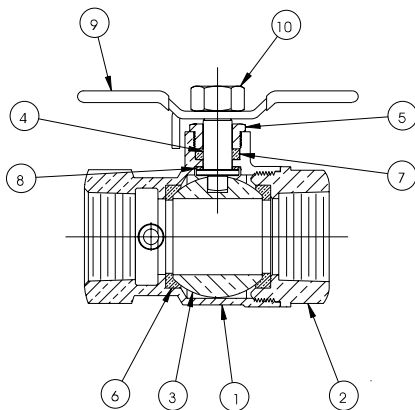
Size: 1/2" - 2"

| SIZE  |        | SERIES LF622FT / UFT DIMENSIONS |            |     |       |     |            |     |        |    |        |    |         |    |       | WEIGHT |          |     |         |      |          |      |
|-------|--------|---------------------------------|------------|-----|-------|-----|------------|-----|--------|----|--------|----|---------|----|-------|--------|----------|-----|---------|------|----------|------|
| in.   | A      |                                 | A1 (union) |     | B     |     | B1 (union) |     | C      |    | D      |    | E       |    | F     |        | G        |     | LF622FT |      | LF622UFT |      |
|       | in.    | mm                              | in.        | mm  | in.   | mm  | in.        | mm  | in.    | mm | in.    | mm | in.     | mm | in.   | mm     | in.      | mm  | lbs.    | kgs. | lbs.     | kgs. |
| 1/2   | 2 3/8  | 61                              | 3 1/2      | 79  |       |     |            |     | 3 3/8  | 79 | 1 7/16 | 36 | 1       | 25 | 5/8   | 16     | 1/8 - 27 | n/a | .6      | .3   | .7       | .3   |
| 3/4   | 2 5/8  | 67                              | 3 1/2      | 89  |       |     |            |     | 3 3/8  | 79 | 1 5/8  | 41 | 1 1/4   | 32 | 3/4   | 19     | 1/8 - 27 | n/a | .8      | .4   | 1.1      | .5   |
| 1     | 3 1/8  | 79                              | 4          | 102 |       |     |            |     | 3 9/16 | 91 | 2      | 51 | 1 1/2   | 38 | 13/16 | 20     | 1/8 - 27 | n/a | 1.3     | .6   | 1.6      | .7   |
| 1 1/4 | 3 3/8  | 92                              | 4 9/16     | 116 |       |     |            |     | 3 9/16 | 91 | 2 1/16 | 53 | 1 13/16 | 46 | 13/16 | 21     | 1/4 - 18 | n/a | 2.3     | 1.0  | 2.4      | 1.1  |
| 1 1/2 | 3 7/8  | 99                              | 5          | 129 | 8 1/2 | 216 | 9 1/2      | 241 |        |    | 3      | 76 | 2 3/16  | 55 | 13/16 | 21     | 1/4 - 18 | n/a | 3.2     | 1.4  | 3.7      | 1.7  |
| 2     | 4 7/16 | 113                             | 5 11/16    | 144 | 8 1/2 | 216 | 9 5/8      | 244 |        |    | 3 1/2  | 89 | 2 3/4   | 70 | 13/16 | 21     | 1/4 - 18 | n/a | 5.6     | 2.5  | 6.4      | 2.9  |

Size: 1/2" - 2"

| SIZE  |        | SERIES LF622F / LF622UF DIMENSIONS |        |     |       |     |         |     |        |    |        |    |         | WEIGHT |         |      |          |      |
|-------|--------|------------------------------------|--------|-----|-------|-----|---------|-----|--------|----|--------|----|---------|--------|---------|------|----------|------|
| in.   | A      |                                    | A1     |     | B     |     | B1      |     | C      |    | D      |    | E       |        | LF622FT |      | LF622UFT |      |
|       | in.    | mm                                 | in.    | mm  | in.   | mm  | in.     | mm  | in.    | mm | in.    | mm | in.     | mm     | lbs.    | kgs. | lbs.     | kgs. |
| 1/2   | 2 3/16 | 55                                 | 3      | 74  |       |     |         |     | 3 3/8  | 79 | 1 7/16 | 36 | 1       | 25     | .6      | .3   | .7       | .3   |
| 3/4   | 2 3/8  | 61                                 | 3 1/4  | 82  |       |     |         |     | 3 3/8  | 79 | 1 5/8  | 41 | 1 1/4   | 32     | .7      | .3   | 1.0      | .5   |
| 1     | 2 7/8  | 73                                 | 3 3/4  | 96  |       |     |         |     | 3 9/16 | 91 | 2      | 51 | 1 1/2   | 38     | 1.3     | .6   | 1.6      | .7   |
| 1 1/4 | 3 1/4  | 83                                 | 4 3/16 | 107 |       |     |         |     | 3 9/16 | 91 | 2 1/16 | 53 | 1 13/16 | 46     | 2.0     | .9   | 2.4      | 1.1  |
| 1 1/2 | 3 5/8  | 92                                 | 4 3/4  | 120 | 8     | 206 | 9       | 231 |        |    | 3      | 76 | 2 3/16  | 55     | 3.1     | 1.4  | 3.6      | 1.7  |
| 2     | 4 3/16 | 106                                | 5 3/8  | 137 | 8 3/8 | 213 | 9 11/16 | 246 |        |    | 3 1/2  | 89 | 2 3/4   | 70     | 5.3     | 2.4  | 6.3      | 2.9  |

## Materials of Construction



1. Body - Lead Free\* Cast Copper Silicon Alloy
2. End Cap - Lead Free\* Cast Copper Silicon Alloy
3. Ball - Chrome Plated Lead Free\* Brass
4. Stem - Brass
5. Packing Nut - Brass
6. Ball Seal - PTFE
7. Packing - PTFE
8. Stem Washer - PTFE
9. Handle - Plated Steel w/Vinyl Insulator
10. Nut - Plated Steel

\*The wetted surface of this product contacted by consumable water contains less than 0.25% of lead by weight.



A Watts Water Technologies Company



ISO 9001-2008  
CERTIFIED

USA: Tel: (559) 441-5300 • Fax: (559) 441-5301 • www.FEBCOonline.com  
Canada: Tel: (905) 332-4090 • Fax: (905) 332-7068 • www.FEBCOonline.ca