

# LEAD FREE\*

## Series LF650A "Y" Strainers

Size: ½" - 2" (15 - 50mm)\*\*

The FEBCO Series LF650A "Y" Strainers are installed in water piping systems to protect expensive equipment (such as backflow preventers) from damage or failure that can be caused by foreign material in the pipeline. The series LF650A features Lead Free\* construction to comply with Lead Free\* installation requirements.

### Features

- Tapped retainer cap with closure plug.
- 304 stainless steel, screen

### Pressure – Temperature

Maximum Working Pressure:

400psi (27.6 bar) WOG @ 210°F (99°C)

125psi (8.6 bar) WSP @ 353°F (178°C)

### Materials

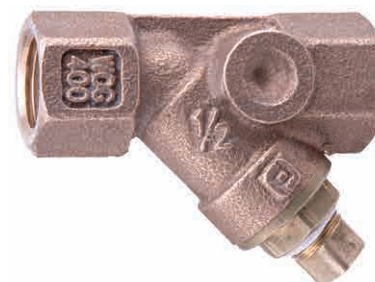
Body: Cast copper silicon alloy  
 Cap/Cover: Cast copper silicon alloy  
 Screen: 20 Mesh, 304 stainless steel

### Dimensions – Weights

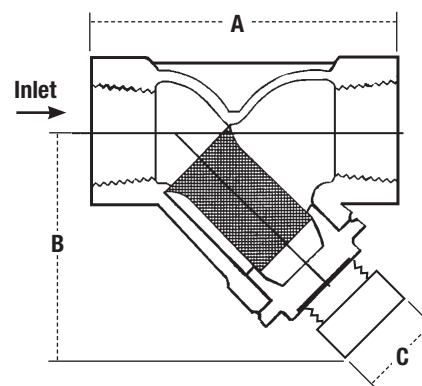
Size: ½" - 2" (15 - 50mm)\*\*

#### LF650A

| SIZE |    | DIMENSIONS |     |     |    |     |    | WEIGHT |      |
|------|----|------------|-----|-----|----|-----|----|--------|------|
| in.  | mm | A          |     | B   |    | C   |    | lbs.   | kgs. |
|      |    | in.        | mm  | in. | mm | in. | mm |        |      |
| ½    | 15 | 2¾         | 70  | 1⅜  | 35 | ¼   | 6  | 0.5    | 0.23 |
| ¾    | 20 | 3⅜         | 81  | 1⅝  | 42 | ¼   | 6  | 0.6    | 0.27 |
| 1    | 25 | 3¾         | 95  | 2⅛  | 54 | ½   | 13 | 1.1    | 0.50 |
| 1¼   | 32 | 4⅞         | 113 | 2½  | 64 | ½   | 13 | 1.9    | 0.86 |
| 1½   | 40 | 4⅞         | 124 | 3   | 76 | ¾   | 19 | 2.4    | 1.09 |
| 2    | 50 | 5⅞         | 151 | 3⅞  | 91 | 1   | 25 | 4.4    | 2.00 |



Series LF650A



\*The wetted surface of this product contacted by consumable water contains less than 0.25% of lead by weight.

\*\*Metric Dimensions are nominal pipe diameter. This product is produced with NPT threaded end connections.

Job Name \_\_\_\_\_

Contractor \_\_\_\_\_

Job Location \_\_\_\_\_

Approval \_\_\_\_\_

Engineer \_\_\_\_\_

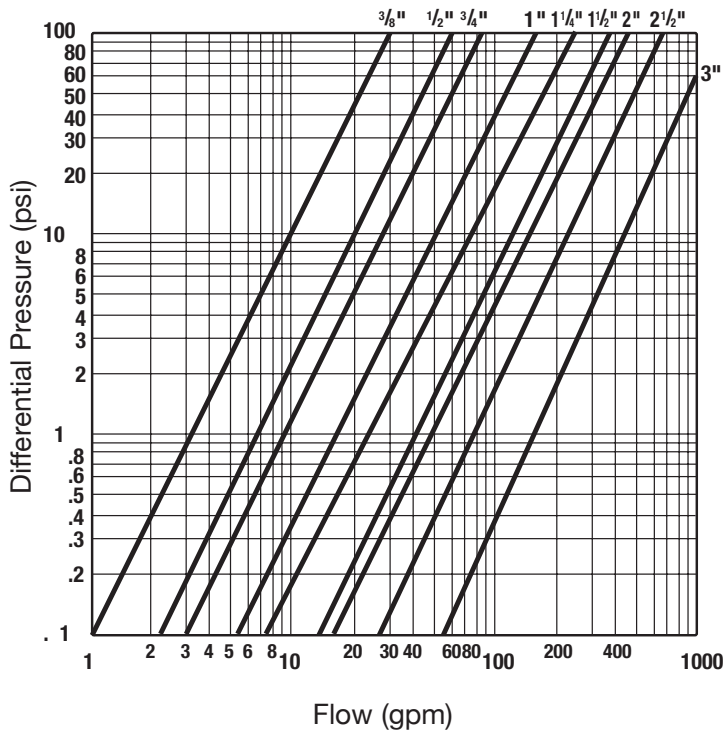
Contractor's P.O. No. \_\_\_\_\_

Approval \_\_\_\_\_

Representative \_\_\_\_\_

FEBCO product specifications in U.S. customary units and metric are approximate and are provided for reference only. For precise measurements, please contact FEBCO. FEBCO reserves the right to change or modify product design, construction, specifications, or materials without prior notice and without incurring any obligation to make such changes and modifications on FEBCO products previously or subsequently sold.

# Capacity



Flow curves show flows (gpm) and pressure drop (psig) through Watts Series 777SI, S777SI using standard 20 mesh screen.



A Watts Water Technologies Company



ISO 9001-2008  
CERTIFIED

USA: Tel: (559) 441-5300 • Fax: (559) 441-5301 • www.FEBCOonline.com  
Canada: Tel: (905) 332-4090 • Fax: (905) 332-7068 • www.FEBCOonline.ca