

## For Health Hazard Applications

Job Name \_\_\_\_\_

Contractor \_\_\_\_\_

Job Location \_\_\_\_\_

Approval \_\_\_\_\_

Engineer \_\_\_\_\_

Contractor's P.O. No. \_\_\_\_\_

Approval \_\_\_\_\_

Representative \_\_\_\_\_

# LEAD FREE\*

## Series LF825YA

### Angle Pattern Reduced Pressure Zone Assemblies

Size: ¾" - 2" (20 - 50mm)\*\*

The FEBCO Series LF825YA Reduced Pressure Zone Assemblies are used to protect against toxic fluids in water services to industrial plants, hospitals, morgues, mortuaries, and chemical plants. They are also used in irrigation systems, boiler feeds, water lines and other installations requiring the highest level of mechanical protection. The LF825YA features Lead Free\* construction to comply with Lead Free\* installation requirements. End connection – NPT ANSI/ASME B1.20.1

#### Features

- Installation versatility simplifies new and retrofit installations.
- Eliminates pipe elbows, nipples and unions from the installation.
- Reduces installation time, labor costs and materials.
- Compact design simplifies retrofit.
- Integral flanged union connections allow assembly to be removed from the line for freeze protection or maintenance without the danger of spool substitution.
- Approved by the Foundation for Cross-Connection Control and Hydraulic Research at the University of Southern California.
- Modular relief valve and check valve internal components for ease of maintenance.
- Smaller, less costly protective enclosures can be used to provide freeze and vandalism protection due to compact size of valve.
- Field tested design for reliability and performance.
- Replaceable seat rings for longer valve life.
- Low head loss for optimum performance.

#### Operation

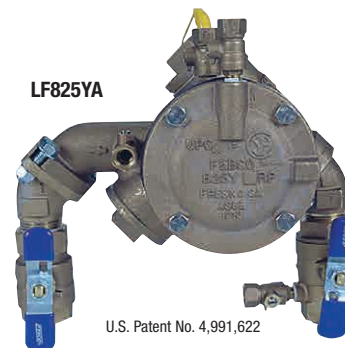
In a flow condition, the check valves are open with the pressure between the checks, called the zone, being maintained at least 5psi (34 kPa) lower than the inlet pressure. The relief valve is held closed by the pressure differential.

Should abnormal conditions arise under no flow or reversal of flow, the differential relief valve will open and discharge to maintain the zone at least 2psi (14 kPa) lower than the supply.

When normal flow resumes, the zone's differential pressure will return and the relief valve will close.

#### Approvals – Standards

- Approved by the Foundation for Cross-Connection Control and Hydraulic Research at the University of Southern California.
- AWWA C511 Conformance



LF825YA

U.S. Patent No. 4,991,622

#### Specifications

The reduced pressure zone assemblies shall consist of two independently operating, spring loaded, "Y" pattern check valves and one hydraulically dependent differential relief valve. Should the differential between the upstream and the zone of the unit drop to 2psi (14 kPa), the differential relief valve shall open and maintain the proper differential.

Mainline valve body and caps including relief valve body and cover shall be Lead Free\* cast copper silicon alloy. Check valve moving members shall be center stem guided. Relief valve shall have a removable seat ring. Check valve and relief valve components shall be constructed so they may be serviced without removing the valve body from the line. All seat discs shall be reversible.

The assembly shall include flanged unions located between the mainline valve body and the ball valve shutoffs to allow for field removal for freeze protection or maintenance without danger of spool replacement. The Lead Free\* Angle Pattern Reduced Pressure Zone Assemblies shall comply with state codes and standards, where applicable, requiring reduced lead content.

The assembly shall be rated to 175psi (12.1 bar) water working pressure and water temperature range from 32°F to 140°F (0°C – 60°C). The assembly shall meet the requirements of the USC Foundation of Cross-connection Control and Hydraulic Research, Eighth Edition.

The assembly shall be a FEBCO Series LF825YA or prior approved equal.

#### Materials

Main valve body:	Lead Free* Cast Copper Silicon Alloy
Relief valve body:	Lead Free* Cast Copper Silicon Alloy
Elastomers:	Nitrile Seat Discs
Diaphragms:	Nitrile, fabric reinforced
Springs:	Stainless Steel

#### Pressure – Temperature

Maximum working pressure:	175psi (12.1 bar)
Hydrostatic test pressure:	350psi (24.1 bar)
Temperature range:	32°F to 140°F (0°C to 60°C)

\* The wetted surface of this product contacted by consumable water contains less than 0.25% of lead by weight.

\*\* Metric Dimensions are nominal pipe diameter. This product is produced with NPT threaded end connections.

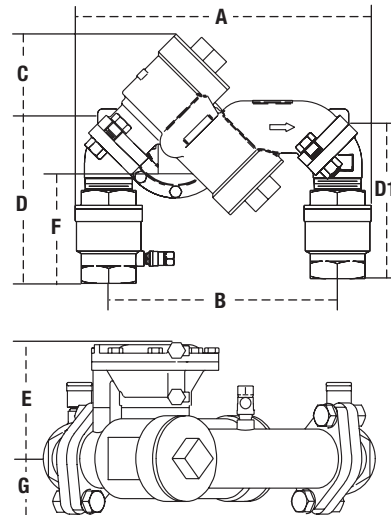


A WATTS Brand

## Series LF825YA / Vertical Up Flow In - Vertical Down Flow Out

### Legend:

- A** Overall lay length, outside dimension
- B** Centerline of inlet shutoff to centerline of outlet shutoff
- C** Centerline of assemble to top
- D** End of inlet shutoff to centerline of assembly
- D1** Centerline of assembly to end of outlet shutoff
- E** Centerline of assembly to outside of relief valve
- F** Bottom of relief port to end of inlet shutoff
- G** Centerline of assembly to outside of flange



## Dimensions – Weights

Size: 3/4" - 2 (20 - 50mm)\*\*

SIZE (DN)		DIMENSIONS														WEIGHT			
in.	mm	A		B		C		D		D1		E		F		G <sup>1</sup>		lbs.	kgs
in.	mm	in.	mm	in.	mm	in.	mm	in.	mm	in.	mm	in.	mm	in.	mm	in.	mm		
3/4	20	10	254	8 1/2	216	3 1/4	83	4 7/8	124	4 5/8	118	4 1/8	105	3 1/2	89	1 5/8	41	15.0	6.8
1	25	10 1/4	260	8 1/2	216	3 1/4	83	5 1/4	133	5	127	4 1/8	105	3 7/8	98	1 5/8	41	16.5	7.5
1 1/2	40	14 1/4	362	11 1/2	292	4 1/2	114	6 7/8	175	6 1/2	165	5	127	4 5/8	118	2 5/8	67	38.0	17.2
2	50	14 7/8	378	11 1/2	292	4 1/2	114	7 1/2	191	7 1/2	181	5	127	5 1/4	133	2 5/8	67	41.0	18.6

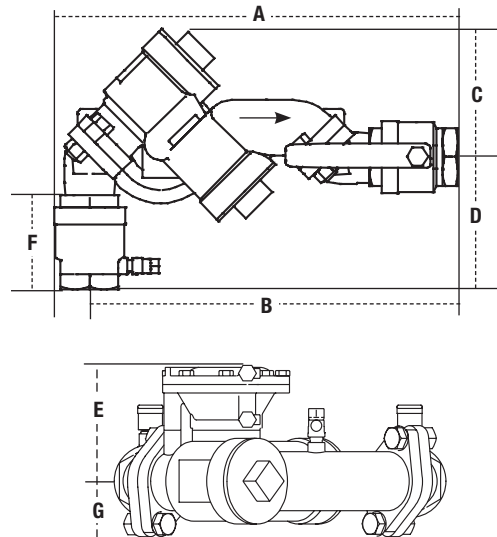
<sup>1</sup>G Dimension are based on standard vertical flow in / vertical flow out configuration.

Note: All dimensions are approximate. Allowances must be made for normal manufacturing tolerances.

## Series LF825YA / Vertical Up Flow In - Horizontal Flow Out

### Legend:

- A** Overall lay length, outside dimension
- B** Centerline of inlet shutoff to centerline of outlet shutoff
- C** Centerline of assemble to top
- D** End of inlet shutoff to centerline of assembly
- E** Centerline of assembly to outside of relief valve
- F** Bottom of relief port to end of inlet shutoff
- G** Centerline of assembly to outside of flange



## Dimensions – Weights

Size: 3/4" - 2" (20 - 50mm)\*\*

SIZE		DIMENSIONS														WEIGHT			
in.	mm	A		B		C		D		D1		E		F		G <sup>1</sup>		lbs.	kgs
in.	mm	in.	mm	in.	mm	in.	mm	in.	mm	in.	mm	in.	mm	in.	mm	in.	mm		
3/4	20	12 5/8	321	11 7/8	302	4 1/2	114	3 5/8	92	n/a	n/a	4 1/8	105	3 1/2	89	1 5/8	41	15.0	6.8
1	25	13 1/8	339	12 1/4	311	4 1/2	114	4	102	n/a	n/a	4 1/8	105	3 7/8	98	1 5/8	41	16.5	7.5
1 1/2	40	18	457	16 5/8	422	6	152	5 1/4	133	n/a	n/a	5	127	4 5/8	118	2 5/8	67	38.0	17.2
2	50	19	483	17 1/4	438	6	152	5 7/8	149	n/a	n/a	5	127	5 1/4	133	2 5/8	67	41.0	18.6

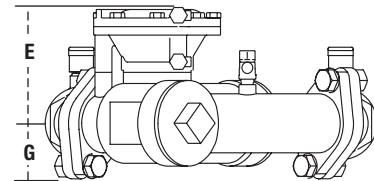
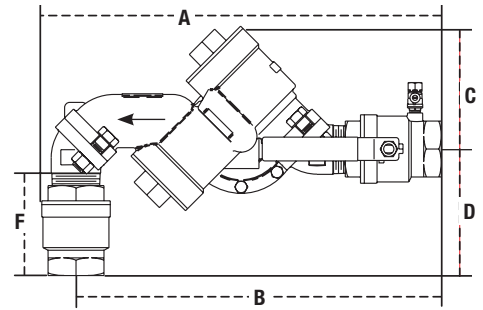
<sup>1</sup>G Dimension are based on standard vertical flow in / vertical flow out configuration.

Note: All dimensions are approximate. Allowances must be made for normal manufacturing tolerances.

## Series LF825YA / Horizontal Flow In - Vertical Down Flow Out

### Legend:

- A** Overall lay length, outside dimension
- B** Centerline of inlet shutoff to centerline of outlet shutoff
- C** Centerline of assembly to top
- D** End of outer shutoff to centerline of assembly
- E** Centerline of assembly to outside of relief valve
- F** Bottom of relief port to end of inlet shutoff
- G** Centerline of assembly to outside of flange



## Dimensions – Weights

Size: 3/4" - 2" (20 - 50mm)\*\*

SIZE		DIMENSIONS										WEIGHT							
in.	mm	A		B		C		D		D1		E		F		G <sup>†</sup>		lbs.	kgs
		in.	mm	in.	mm	in.	mm	in.	mm	in.	mm	in.	mm	in.	mm	in.	mm		
3/4	20	12 7/8	327	12 1/8	308	4 1/2	114	3 5/8	92	n/a	n/a	4 1/8	105	3 1/2	89	1 5/8	41	15.0	6.8
1	25	13 3/8	340	12 1/2	318	4 1/2	114	4	102	n/a	n/a	4 1/8	105	3 7/8	98	1 5/8	41	16.5	7.5
1 1/2	40	18 3/8	467	17	432	6	152	5 1/4	133	n/a	n/a	5	127	4 5/8	118	2 5/8	67	38.0	17.2
2	50	19 3/8	492	17 3/8	448	6	152	5 7/8	149	n/a	n/a	5	127	5 1/4	133	2 5/8	67	41.0	18.6

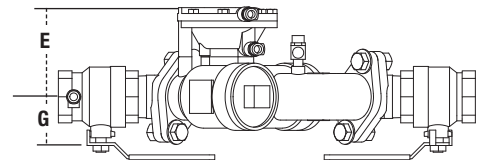
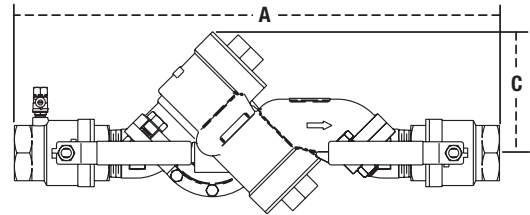
<sup>†</sup>G Dimension are based on standard vertical flow in / vertical flow out configuration.

Note: All dimensions are approximate. Allowances must be made for normal manufacturing tolerances.

## Series LF825YA / Horizontal

### Legend:

- A** Overall lay length, outside dimension
- C** Centerline of assembly to top
- E** Centerline of assembly to outside of relief valve
- G** Centerline of assembly to outside of flange



## Dimensions – Weights

Size: 3/4" - 2" (20 - 50mm)\*\*

SIZE		DIMENSIONS										WEIGHT							
in.	mm	A		B		C		D		D1		E		F		G <sup>†</sup>		lbs.	kgs
		in.	mm	in.	mm	in.	mm	in.	mm	in.	mm	in.	mm	in.	mm	in.	mm		
3/4	20	15 1/2	394	n/a	n/a	4 1/2	114	n/a	n/a	n/a	n/a	4 1/8	105	n/a	n/a	1 5/8	41	15.0	6.8
1	25	16 1/4	413	n/a	n/a	4 1/2	114	n/a	n/a	n/a	n/a	4 1/8	105	n/a	n/a	1 5/8	41	16.5	7.5
1 1/2	40	22	559	n/a	n/a	6	152	n/a	n/a	n/a	n/a	5	127	n/a	n/a	2 5/8	67	38.0	17.2
2	50	23 3/8	594	n/a	n/a	6	152	n/a	n/a	n/a	n/a	5	127	n/a	n/a	2 5/8	67	41.0	18.6

<sup>†</sup>G Dimension are based on standard vertical flow in / vertical flow out configuration.

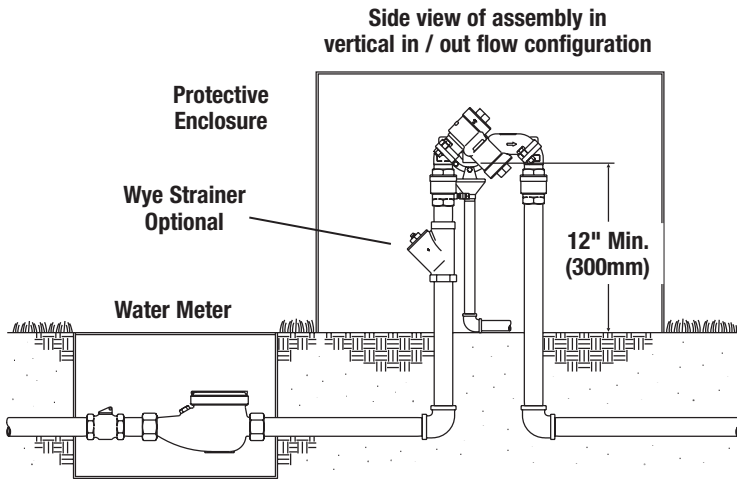
Note: All dimensions are approximate. Allowances must be made for normal manufacturing tolerances.

## Typical Installation

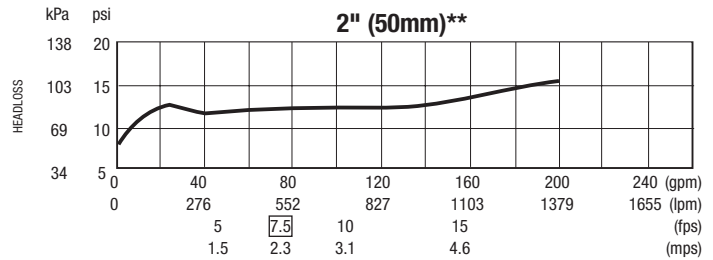
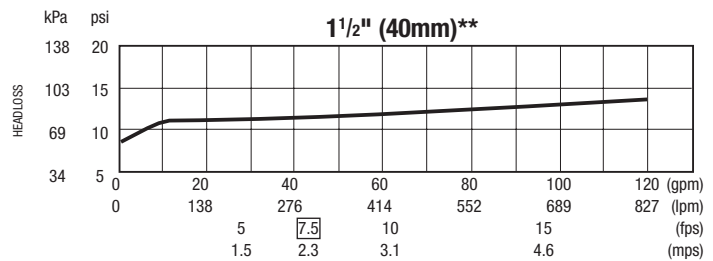
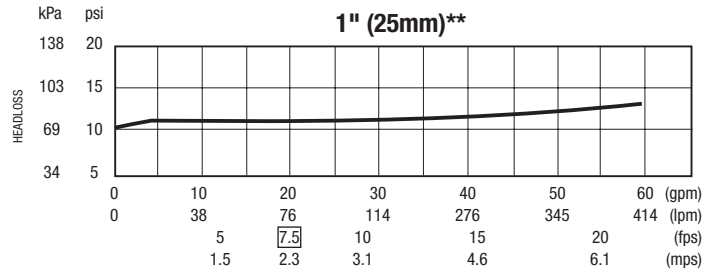
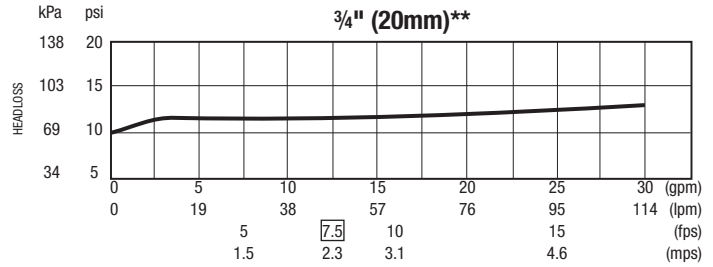
The FEBCO Series LF825YA provides versatility in installation because it can be installed in any of four configurations. The most typical configuration is shown in the vertical up flow in/vertical down flow out diagram. This provides for an extremely short lay length which is advantageous in areas of limited space for installation within a protected enclosure. Cost savings can be realized due to the reduction in materials needed such as nipples, elbows, unions, and size of the enclosure. With the integral flanged union connections, the assembly can be removed from the line for freeze protection without a spool substitution. It is not recommended that any back-flow prevention assembly be removed from the line for maintenance unless assurance can be made that a spool cross-connection cannot be substituted. The flanged union connection mounted at 45° will provide this assurance. The FEBCO Series LF825YA is shipped in the configuration shown in the vertical up flow/vertical down flow out diagram, but can easily be modified to the three other configurations (shown on inside of this specification sheet) simply by removing the bolts to rotate the end adapters.

With any configuration, material and labor savings can be achieved. The FEBCO Series LF825YA is the only Reduced Pressure Zone Assembly which provides these options in a compact, integral assembly. All internal components are interchangeable with the FEBCO Series LF825Y providing the same ease of maintenance and reliable operation.

Reduced Pressure Zone Assemblies should be installed with a minimum clearance of 12" (300mm) between port and floor or grade. They must be installed where discharge will not be objectionable and can be positively drained away. They should be installed where easily accessible for testing and maintenance and must be protected from freezing. Thermal water expansion and/or water hammer downstream of the backflow preventer can cause excessive pressure. Excessive pressure situations should be eliminated to avoid possible damage to the system and device.



## Capacity



\*\* Metric Dimensions are nominal pipe diameter. This product is produced with NPT threaded end connections.

### NOTICE

The information contained herein is not intended to replace the full product installation and safety information available or the experience of a trained product installer. You are required to thoroughly read all installation instructions and product safety information before beginning the installation of this product.



A WATTS Brand

USA: Tel: (800) 767-1234 • Fax: (800) 788-4491 • FEBCOonline.com

Canada: Tel: (905) 332-4090 • Fax: (905) 332-7068 • FEBCOonline.ca

Latin America: (52) 81-1001-8600 • Fax: (52) 81-8000-7091 • FEBCOonline.com