



**LEAD FREE\***

**Series LF850**

**Lead Free\* Double Check Valve Assemblies**

**Size: 1/2" - 2" (15mm - 50mm)**

The FEBCO Series LF850 Double Check Valve Assemblies are designed for non-health hazard applications. The LF850S features Lead Free\* construction to comply with Lead Free\* installation requirements. End Connections – NPT ANSI / ASME B1.20.1. The Lead Free\* Double Check Valve Assemblies shall comply with state codes and standards, where applicable, requiring reduced lead content.

**Pressure – Temperature**

Max. Working Pressure: 175psi (12.1 bar)  
 Hydrostatic Test Press: 350psi (24.1 bar)  
 Temperature Range: 32°F to 140°F (0°C to 60°C)

**Materials**

Valve Body: Lead Free\* Bronze  
 Elastomers: Silicone  
 Springs: Stainless Steel

**Models**

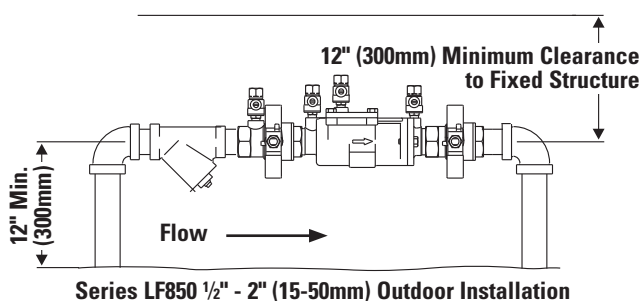
- "Y" - Strainer

**Approvals – Standards**

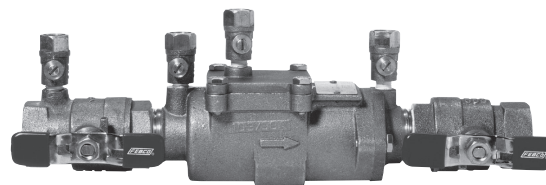
- ANSI/AWWA Conformance (C510-92)
- Approved by the Foundation for Cross-Connection Control and Hydraulic Research at the University of Southern California.



**Typical Installation**

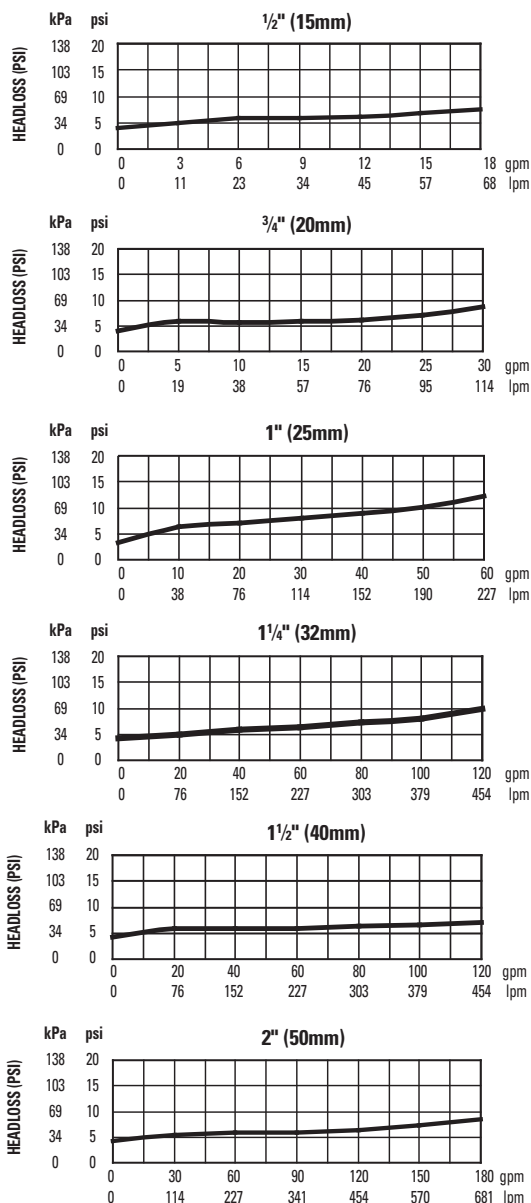


\* The wetted surface of this product contacted by consumable water contains less than one quarter of one percent (0.25%) of lead by weight.



**Series LF850**

**Capacity**

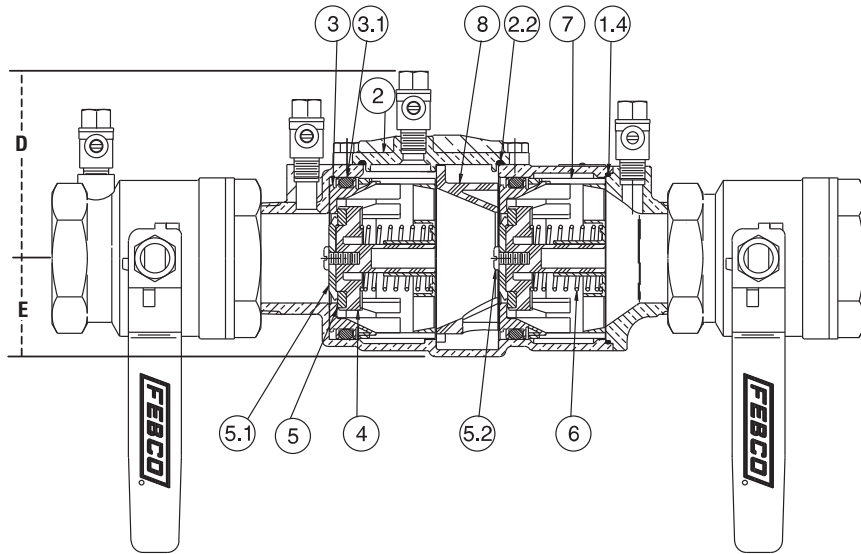


Job Name \_\_\_\_\_  
 Job Location \_\_\_\_\_  
 Engineer \_\_\_\_\_  
 Approval \_\_\_\_\_

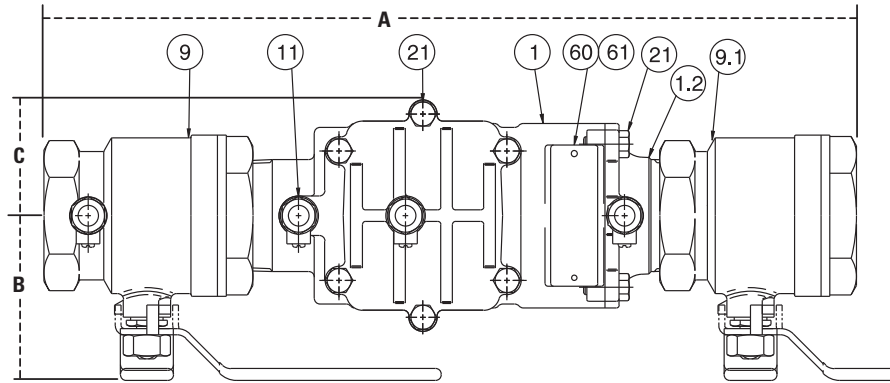
Contractor \_\_\_\_\_  
 Approval \_\_\_\_\_  
 Contractor's P.O. No. \_\_\_\_\_  
 Representative \_\_\_\_\_

FEBCO product specifications in U.S. customary units and metric are approximate and are provided for reference only. For precise measurements, please contact FEBCO. FEBCO reserves the right to change or modify product design, construction, specifications, or materials without prior notice and without incurring any obligation to make such changes and modifications on FEBCO products previously or subsequently sold.

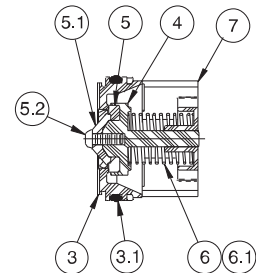
Series LF850 / Size: 1/2" - 2" (15mm - 50mm)



ITEM	DESCRIPTION	MATERIALS
1	Body	Lead Free* Bronze
1.2	Tailpiece	Lead Free* Bronze
1.4	O-Ring	Silicone
2	Cover	Lead Free* Bronze
2.2	O-Ring	Silicone
3	Seat	Noryl®
3.1	O-Ring	Silicone
4	Poppet	Noryl®
5	Seat Disc	Silicone
5.1	Disc Retainer	Noryl®
5.2	Rnd HD Screw	Stainless Steel
6	Spring	Stainless Steel
7	Guide	Noryl®
8	Retainer Spacer	Noryl®
9	Ball Valve (w/tap)	Lead Free* Bronze
9.1	Ball Valve	Lead Free* Bronze
11	Test Cock	Lead Free* Bronze
21	Hex HD Capscrew	Stainless Steel
60	Identification Plate	Brass
61	Drive Screw Stick	Stainless Steel



Check Assembly



Dimensions and Weights

Size: 1/2" - 2" (15 - 50mm)

SIZE (DN)		DIMENSIONS										WEIGHT	
		A		B		C		D		E			
in.	mm	in.	mm	in.	mm	in.	mm	in.	mm	in.	mm	lbs.	kgs.
1/2	15	10	254	1 1/2	38	1 1/2	38	3 3/8	79	1 1/4	32	4.2	1.9
3/4	20	10 3/4	273	1 1/2	38	1 1/2	38	3 3/8	79	1 1/4	32	4.4	2.0
1	25	12 1/2	318	1 7/8	48	1 5/8	41	3 3/8	86	1 1/2	38	6.8	3.1
1 1/4	32	15 7/8	403	3	76	2 1/2	64	4 1/4	108	2 1/4	57	15.8	7.2
1 1/2	40	16 3/8	416	3	76	2 1/2	64	4 1/4	108	2 1/4	57	16.2	7.4
2	50	17 3/8	450	3 1/2	89	2 1/2	64	4 1/4	108	2 1/4	57	21.1	9.6

Note: Dimensions are nominal. Allowances must be made for normal manufacturing tolerances.



A Watts Water Technologies Company



USA: 4381 N. Brawley • Ste. 102 • Fresno, CA • 93722 • Tel. (559) 441-5300 • Fax: (559) 441-5301 • www.FEBCOonline.com  
 Canada: 5435 North Service Rd. • Burlington, ONT. • L7L 5H7 • Tel. (905) 332-4090 • Fax: (905) 332-7068 • www.FEBCOonline.ca