

# For Health Hazard Applications

Job Name \_\_\_\_\_

Contractor \_\_\_\_\_

Job Location \_\_\_\_\_

Approval \_\_\_\_\_

Engineer \_\_\_\_\_

Contractor's P.O. No. \_\_\_\_\_

Approval \_\_\_\_\_

Representative \_\_\_\_\_

# LEAD FREE\*

## Series LF860

### Reduced Pressure Zone Assemblies

Size: 1/2" - 2"

The FEBCO Series LF860 Reduced Pressure Zone Assemblies are designed for use in health-hazard applications. The LF860S features Lead Free\* construction to comply with Lead Free\* installation requirements. End Connections – NPT ANSI / ASME B1.20.1. The Lead Free\* Reduced Pressure Zone Assemblies shall comply with state codes and standards, where applicable, requiring reduced lead content.

#### Pressure – Temperature

Max. Working Pressure: 175psi (12.1 bar)  
 Hydrostatic Test Pressure: 350psi (24.1 bar)  
 Temperature Range: 32°F to 140°F (0°C to 60°C)

#### Materials

Valve Body: Lead Free\* Cast Copper Silicon Alloy  
 Elastomers: Silicone  
 Springs: Stainless Steel

#### Models

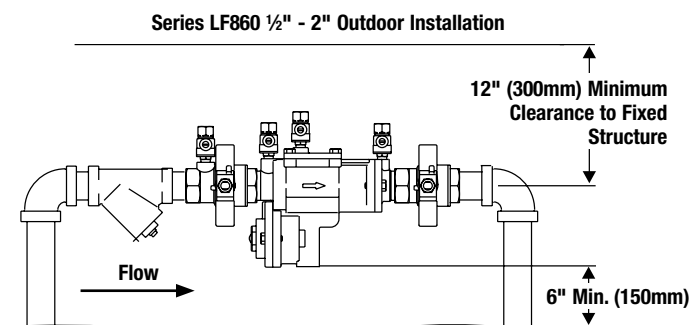
- LF860 - Standard Assembly with Ball Valves
- LF860U - Standard Assembly with Union Ball Valves

#### Approvals – Standards

- ANSI/AWWA Conformance (C511)
- Approved by the Foundation for Cross-Connection Control and Hydraulic Research at the University of Southern California.

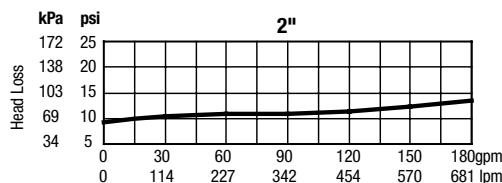
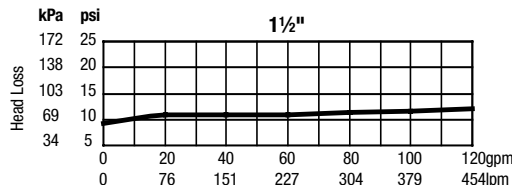
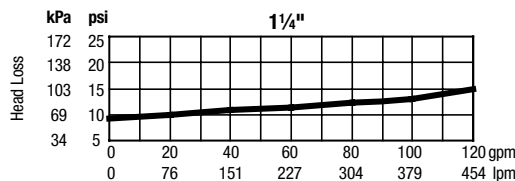
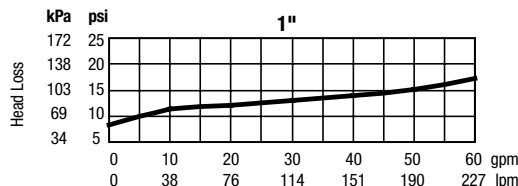
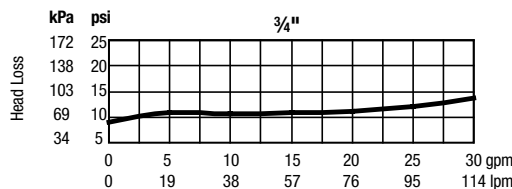
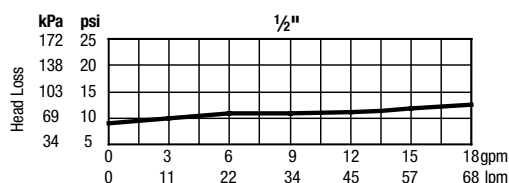


#### Typical Installation



Series LF860

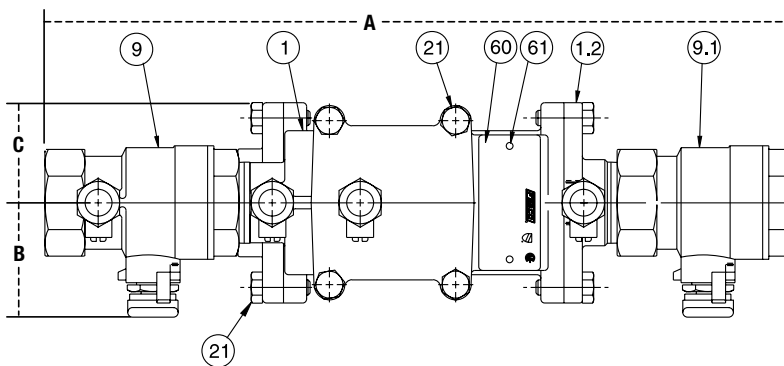
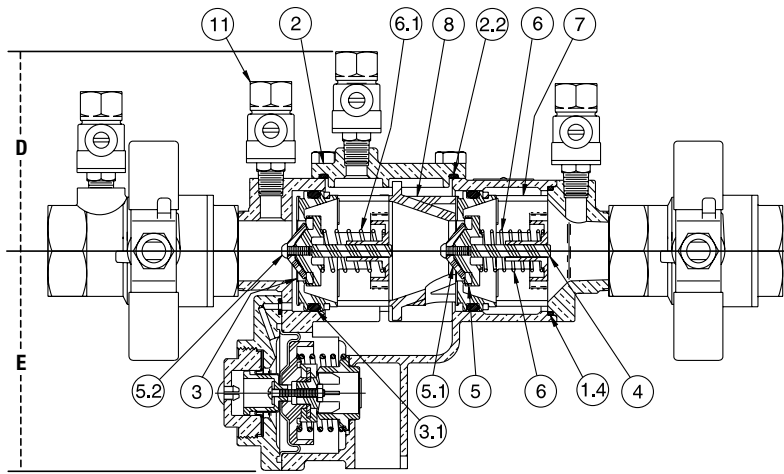
#### Capacity



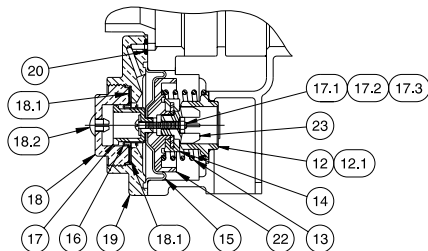
A WATTS Brand

FEBCO product specifications in U.S. customary units and metric are approximate and are provided for reference only. For precise measurements, please contact FEBCO Technical Service. FEBCO reserves the right to change or modify product design, construction, specifications, or materials without prior notice and without incurring any obligation to make such changes and modifications on FEBCO products previously or subsequently sold.

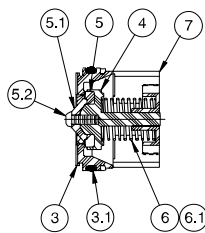
Series LF860 / Size: 1/2" - 2"



**Relief Valve Assembly**



**Check Assembly**



ITEM	DESCRIPTION	MATERIALS
1	Body	Lead Free* Cast Copper Silicon Alloy
1.2	Tailpiece	Lead Free* Cast Copper Silicon Alloy
1.4	O-Ring	Silicone
2	Cover	Lead Free* Cast Copper Silicon Alloy
2.2	O-Ring	Silicone
3	Seat	Noryl®
3.1	O-Ring	Silicone
4	Poppet	Noryl®
5	Seat Disc	Silicone Rubber
5.1	Disc Retainer	Noryl®
5.2	Rnd HD Screw	Phillips, 18-8 SS
6	Spring	SS
6.1	Spring	SS
7	Guide	Noryl®
8	Retainer Spacer	Noryl®
9	Ball Valve (w/tap)	Lead Free* Cast Copper Silicon Alloy
9.1	Ball Valve	Lead Free* Cast Copper Silicon Alloy
11	Test Cock	Lead Free* Cast Copper Silicon Alloy
12	Seat Ring-RV	Noryl®
12.1	Gasket Ring-RV	Silicone Rubber
13	Spring-RV	SS
14	Seat Disc-RV	Silicone Rubber/SS
15	Diaphragm-RV	Rubber/Fabric
16	Outer Diaphragm-RV	Rubber/Fabric
17	Small Piston-RV	Noryl®
17.1	Rnd HD Screw	Phillips, 18-8 SS
17.2	Washer	18-8 SS
17.3	Hex Nut	18-8 SS
18	Cylinder-RV	Lead Free* Cast Copper Silicon Alloy
18.1	Slip Ring-Cylinder	Acetal
18.2	Slide (Plug)	Nylon
19	Cover-RV	Lead Free* Cast Copper Silicon Alloy
20	O-Ring	Silicone
21	Hex HD Capscrew	18-8 SS
22	Large Piston-RV	Noryl®
23	Guide-RV	Noryl®
60	Identification Plate	Brass
61	Drive Screw Stick	SS

\* The wetted surface of this product contacted by consumable water contains less than 0.25% of lead by weight.

Noryl® is a registered trademark of SABIC Innovative Plastics™.

**NOTICE**

The gap drain is not designed to catch the maximum discharge possible from the relief valve. The installation of FEBCO air gap with the drain line terminating above a floor drain will handle any normal discharge or nuisance spitting through the relief valve. However, floor drain size may need to be designed to prevent water damage caused by a catastrophic failure condition. Do not reduce the size of the drain line from the air gap fitting.

**NOTICE**

Inquire with governing authorities for local installation requirements.

**NOTICE**

The information contained herein is not intended to replace the full product installation and safety information available or the experience of a trained product installer. You are required to thoroughly read all installation instructions and product safety information before beginning the installation of this product.

**Dimensions – Weights**

Size: 1/2" - 2"

SIZE	DIMENSIONS										WEIGHT	
	A		B		C		D		E		lbs.	kgs.
	in.	mm	in.	mm	in.	mm	in.	mm	in.	mm		
1/2	10	254	1 1/2	38	1 1/2	38	3 1/8	79	3 1/2	89	5.6	2.5
3/4	10 3/4	273	1 1/2	38	1 1/2	38	3 1/8	79	3 1/2	89	5.8	2.6
1	12 1/2	318	1 7/8	48	1 5/8	41	3 3/8	86	3 5/8	92	9.2	4.2
1 1/4	15 7/8	403	3	76	2 1/2	64	4 1/4	108	5 1/8	143	20.6	9.2
1 1/2	16 3/8	416	3	76	2 1/2	64	4 1/4	108	5 1/8	143	20.6	9.4
2	17 3/8	450	3 1/2	89	2 1/2	64	4 1/4	108	5 1/8	143	24.8	11.3

Note: Dimensions are nominal. Allowances must be made for normal manufacturing tolerances.



A WATTS Brand

USA: Tel: (800) 767-1234 • Fax: (800) 788-4491 • FEBCOonline.com  
 Canada: Tel: (905) 332-4090 • Fax: (905) 332-7068 • FEBCOonline.ca  
 Latin America: (52) 81-1001-8600 • FEBCOonline.com