

For Residential and Commercial Applications

Job Name _____

Contractor _____

Job Location _____

Approval _____

Engineer _____

Contractor's P.O. No. _____

Approval _____

Representative _____

Series FS10-C Flow Switch

Sizes: For pipes 1" - 6" (25 - 150mm)

Series FS10-C Flow Switch provides accurate monitoring of liquid flow in pipelines servicing water systems, heating systems, air conditioning, and processing installations for industrial and commercial applications. The flow switch is designed to act as an automatic control or safety device for liquid flow. The single-pole, double-throw switch can be wired to start or stop a motor when a flow or no flow condition exists or activate an alarm when flow is inadequate. The switch then turns off the alarm when adequate flow is restored. Series FS10-C flow switches install in tee in horizontal or vertical piping.

Features

- Beryllium copper paddle
- Single cover retaining screw mounted on top of flow switch
- Coarse and fine sensitivity adjustment
- Two electrical conduit knockouts
- Easy accessibility to switch terminals
- 1" (25mm) NPT connection
- Switch assembly independent/removable from mounting adaptor
- Optional flow indicator light integral with switch cover (FS10-CL)

Models

FS10-C-standard unit

FS10-CL-features indicator light

FS10-CL-SS-features stainless steel bellows and paddle

Standards

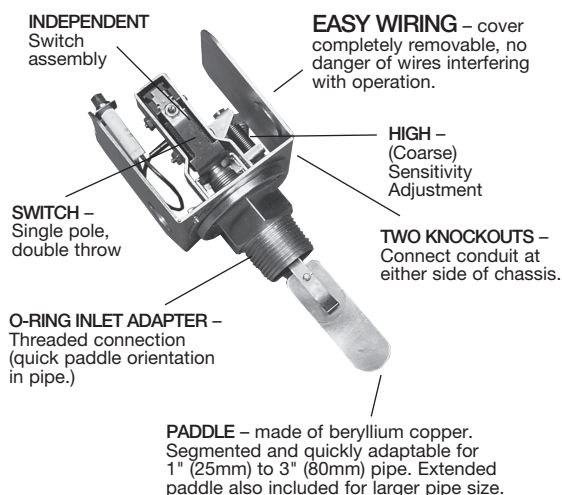


Underwriter's Laboratories Listed U.S.A. No. 11S1

Pressure-Temperature

Maximum Working Pressure: 175psi (12.1 bar) at 300°F (148.9°C)

Maximum Temperature: 300°F (148.9°C)



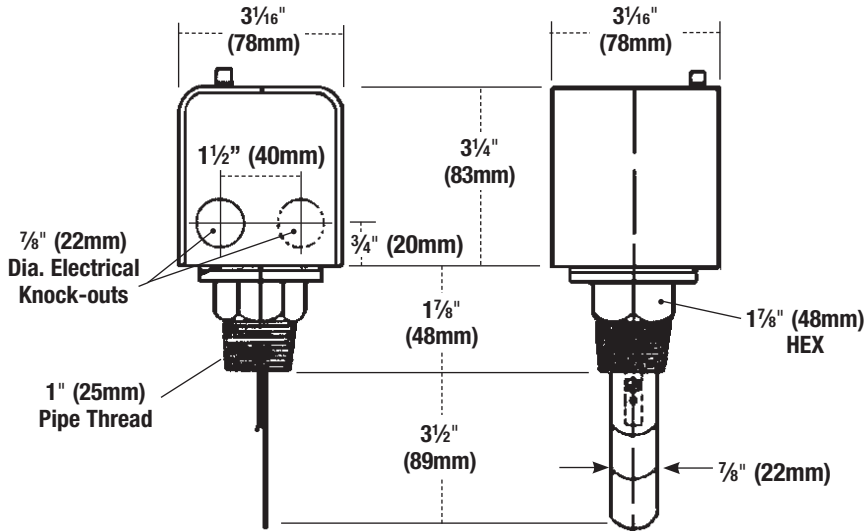
Paddles

3 in 1 Paddle – A segmented beryllium copper paddle is quickly adaptable for 1" through 3" pipe (25 through 80mm). The extended beryllium copper paddle, also included, is for larger pipe sizes up to 6" (150mm). Paddle length conforms to ASTM tee standards.

Materials

Body:	Brass
Enclosure:	Zinc plated steel
Cover:	Epoxy coated steel
Bellows:	Brass ASTM B-36
Inlet Adapter:	Brass ASTM B-36
Paddle:	Beryllium Copper ASTM B-194

Dimensions



Flow Rates

FLOW RATES Required to Actuate the No. FS10C or FS20 Flow Switch in Horizontal Pipe. Flow rates in U.S. gallons per minute (GPM). Velocity in feet per second (FPS). *Equipped with extended paddle trimmed to pipe size.

PIPE SIZE IN WHICH FLOW SWITCH INSTALLED			1" (25mm)	1 1/4" (32mm)	1 1/2" (40mm)	2" (50mm)	2 1/2" (65mm)	3" (80mm)	*4" (100mm)	*5" (125mm)	*6" (150mm)
FACTORY OR MINIMUM FLOW SETTING	ACTIVATION FLOW	GPM	5.2	7.9	10.0	13.2	20.9	30.0	39.0	58.0	79.0
		FPS	2.01	1.74	1.62	1.29	.92	1.30	1.0	.94	.88
	DEACTIVATION NO FLOW	GPM	2.0	3.2	5.3	8.1	9.9	12.0	19.0	29.0	39.6
		FPS	.77	.71	.86	.79	.44	.52	.50	.47	.44
MAXIMUM FLOW SETTING	ACTIVATION FLOW	GPM	11.5	18.0	18.0	34.1	53.9	52.0	73.5	115.0	166.0
		FPS	4.44	3.98	2.91	3.33	2.38	2.26	1.86	1.85	1.84
	DEACTIVATION NO FLOW	GPM	8.5	14.6	15.1	29.2	44.4	46.1	64.0	92.0	123.0
		FPS	3.28	3.23	2.44	2.85	1.96	2.00	1.67	1.48	1.37

*Flow rates for these sizes are calculated.



A Watts Water Technologies Company



ISO 9001-2000
CERTIFIED