

For Commercial, Industrial and Process Applications

Job Name _____

Contractor _____

Job Location _____

Approval _____

Engineer _____

Contractor's P.O. No. _____

Approval _____

Representative _____

Series G4000

2-piece, Full Port, Cast Iron Flanged Ball Valves

Sizes: 8" – 10" (200 – 250mm)

Series G4000 2-Piece, Full Port, Cast Iron Flanged Ball Valves feature a stainless steel ball and stem and manual gear operator for positive shutoff.

Features

- Same end-to-end dimensions as conventional flanged iron gate valves
- Quarter-turn open or close operation
- Stainless steel ball and stem
- Manual gear operator standard
- Positive shutoff
- 2-piece body construction

Specifications

A 2-piece, full port, cast iron flanged ball valve to be installed as indicated on the plans. Approved valves shall comply with the American standard for face-to-face dimensions (ANSI 16.10) for Class 125 iron flanged gate valves. The dimensions and drilling of end flanges shall conform to the American cast iron flange standard, Class 125 (ANSI B16.1). Pressure rating no less than 200psi (14 bars) CWP non-shock. The valve shall be a Watts Regulator Company Series G4000.

Pressure — Temperature

Maximum Temperature: 140°F (60°C)

Maximum Working Pressure: 200psi (14 bars) CWP non-shock



G4000

Quarter-Turn Valve Actuators Available

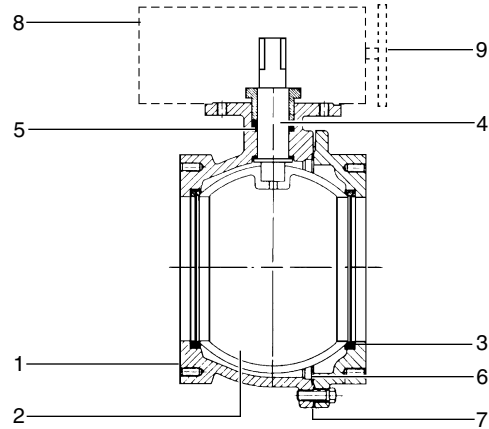
Consult your Watts representative for details on pneumatic/electric valve actuation.



Watts product specifications in U.S. customary units and metric are approximate and are provided for reference only. For precise measurements, please contact Watts Technical Service. Watts reserves the right to change or modify product design, construction, specifications, or materials without prior notice and without incurring any obligation to make such changes and modifications on Watts products previously or subsequently sold.

Materials

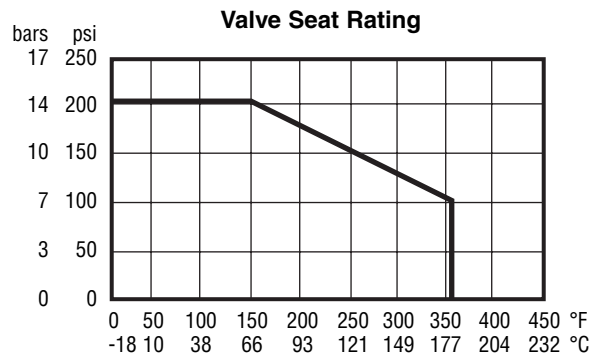
- 1. Body Cast Iron, ASTM A126 Class B
- 2. Ball 304 Stainless Steel, ASTM A351
- 3. Seat PTFE
- 4. Stem 304 Stainless Steel, AISI 304
- 5. Packing PTFE
- 6. Gasket PTFE
- 7. Bolt and Nut Steel, ASTM A6
- 8. Gear Operator Cast Iron
- 9. Handwheel Ductile Iron



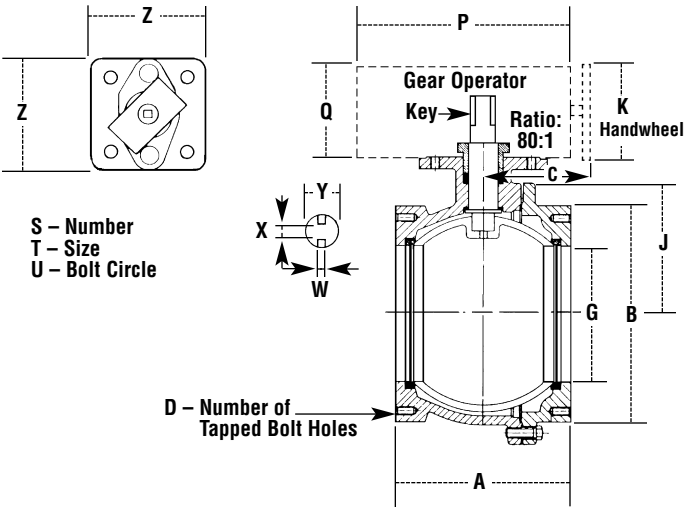
Capacity

Valve Operating Torque – Ratings

SIZE		CV RATINGS		MAX. OPERATING TORQUE	
<i>in.</i>	<i>mm</i>			<i>in./lbs.</i>	<i>N-m</i>
8	200	9000		8860	1001.0
10	250	12400		10,630	1201.0



Dimensions – Weights



SIZES (DN)		A	B	C	D	G	J	K	P	Q	S	T	U	W	X	Y	Z	WEIGHT
<i>in</i>	8	11½	13½	11	8	8	10¼	20	11¾	7⅞	4	¾"-10UNC	7¼	1¼	¾	1¾	5	600.0 lbs.
<i>mm</i>	200	292	343	279	8	203	260	508	298	200	4	19.0-254	180	18	9	45	127	272.2 kgs.
<i>in</i>	10	13	16	11	12	10	11¼	20	11¾	7⅞	4	7/8"-9UNC	7¼	1¼	¾	1¾	5	1,125.0 lbs.
<i>mm</i>	250	330	406	279	12	254	297	508	298	200	4	22.2-229	180	18	9	45	127	510.3 kgs.

USA: 815 Chestnut St., No. Andover, MA 01845-6098; www.wattsreg.com
 Canada: 5435 North Service Rd., Burlington, ONT. L7L 5H7; www.wattscanada.ca

