

For Commercial and Industrial Applications

Job Name _____

Contractor _____

Job Location _____

Approval _____

Engineer _____

Contractor's P.O. No. _____

Approval _____

Representative _____

LEAD FREE*

Series G1070 and GP1070 LavSafe™ Thermostatic Faucets

Sizes: 3/8" inlet

Series G1070 and GP1070 thermostatic gooseneck faucets feature an advanced thermal actuator to provide the latest in thermal protection. The single-lever cartridge, with integral ceramic discs, provides both temperature and volume control. LavSafe automatically mixes hot and cold water to deliver pre-set water within a specific range. In the event of cold water failure, the thermal actuator virtually shuts off the flow of hot water. LavSafe is listed to ASSE 1070, IAPMO cUPC, and NSF 61 Section 9 Annex G.

Features

- Eliminates installation of under-the-counter thermostatic valve
- Watts' Advance Thermal Actuator quickly compensates for pressure and temperature fluctuation
- Mixes hot and cold water to deliver tempered water with in specified range
- Heavy duty Lead Free* brass body for durability and to comply with Lead Free* installation requirements
- Copper supplies feature integrated check valves
- Self-contained cartridge installs in a minute to simplify repairs
- Virtually shuts off hot water flow in the event of cold water failure
- ADA Compliant
- ASSE 1070 and IAPMO cUPC listed

Models

G1070 3/8" compression inlets with checks

GP1070 3/8" compression inlets with checks and base plate

Pressure – Temperature

Maximum Operating Pressure: 125psi (861 kpa)

Maximum Hot Water Temperature: 194°F (90°C)

Minimum Hot Water Supply Temperature:
5°F (3°C) Above Set Point

Temperature adjustment range: 60°F - 120°F (15°C - 49°C)

Minimum Flow: 0.5 gpm (2.2 lpm)

Cold Water Inlet Temperature Range: 39°F - 80°F (4°C - 27°C)

Hot Water Inlet Temperature Range: 120°F - 180°F (49°C - 82°C)

Factory Set Temperature: 105°F (41°C)



certified to NSF/ANSI 61
Section 9.1

certified
EPA 9050

Listing

ASSE 1070, IAPMO cUPC

Approval Standards

ASSE 1070, CSA B125.3, NSF 61 Section 9 Annex G

Specifications

Faucet shall feature solid Lead Free* brass cast housing and brass limit stop to prevent over adjustment of handle. Faucet shall be listed to ASSE 1070 and cUPC for temperature and pressure protection with a minimum control flow of 0.5 gpm (2.2 lpm). Faucet shall feature a single cartridge design for ease of repair & maintenance and shall provide an approach temperature of no greater than 5°F (3°C). Faucet shall include integral check valves to prevent cross flow and have a metal lever handle in compliance with the American with Disabilities Act (ADA). Faucet shall feature ceramic disc mixing and shall be constructed using Lead Free* material which shall comply with state codes & standards where applicable requiring reduced lead content.

Faucet shall be Watts model _____.

NOTICE

The information contained herein is not intended to replace the full product installation and safety information available or the experience of a trained product installer. You are required to thoroughly read all installation instructions and product safety information before beginning the installation of this product.

NOTICE

Inquire with governing authorities for local installation requirements

***The wetted surface of this product contacted by consumable water contains less than 0.25% of lead by weight.**

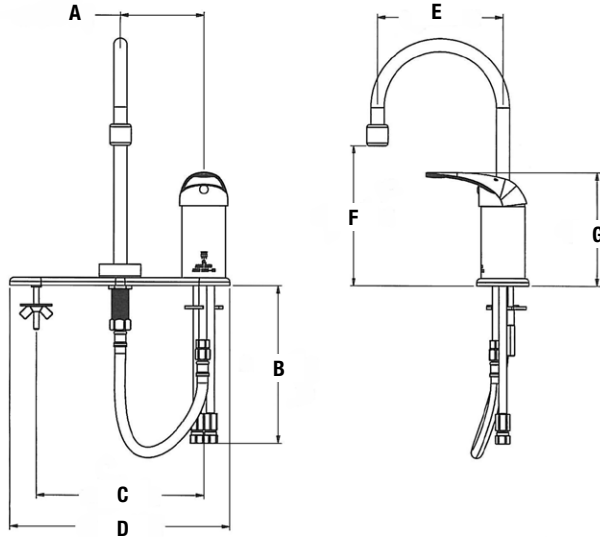
Watts product specifications in U.S. customary units and metric are approximate and are provided for reference only. For precise measurements, please contact Watts Technical Service. Watts reserves the right to change or modify product design, construction, specifications, or materials without prior notice and without incurring any obligation to make such changes and modifications on Watts products previously or subsequently sold.

Capacity**

CAPACITY						
Min. Flow to ASSE 1070	Cv	10psi (69 kPa)	20psi (138 kPa)	30psi (207 kPa)	45psi (310 kPa)	60psi (414 kPa)
0.5 gpm 1.89 lpm	0.345	1.08 gpm 4.09 lpm	1.53 gpm 5.79 lpm	1.88 gpm 7.12 lpm	2.30 gpm 8.71 lpm	2.60 gpm 9.48 lpm

**Less Aerator & Outlet temperature 105°F (41°C)

Dimensions



MODEL	DESCRIPTION	DIMENSIONS												WEIGHT			
		A		B		C		D		E		F		G		lbs.	kg
		in.	mm	in.	mm	in.	mm	in.	mm	in.	mm	in.	mm	in.	mm		
G1070	2.0 gpm Aerator	4	102	7½	191	N/A	N/A	N/A	N/A	6	152	6¾	152	5⅞	138	4.4	2.0
G1070VA	2.0 gpm Vandal Resistant Aerator	4	102	7½	191	N/A	N/A	N/A	N/A	6	152	6¾	152	5⅞	138	4.4	2.0
G1070-6	2.0 gpm Aerator, 6" Lever Handle	4	102	7½	191	N/A	N/A	N/A	N/A	6	152	6¾	152	5⅞	138	4.6	2.1
G1070A5	0.5 gpm Outlet	4	102	7½	191	N/A	N/A	N/A	N/A	6	152	6¾	152	5⅞	138	4.4	2.0
G1070V5	0.5 gpm Vandal Resistant Outlet	4	102	7½	191	N/A	N/A	N/A	N/A	6	152	6¾	152	5⅞	138	4.4	2.0
G1070A15	1.5 gpm Aerator+	4	102	7½	191	N/A	N/A	N/A	N/A	6	152	6¾	152	5⅞	138	4.4	2.0
G1070L	2.0 gpm Laminar Flow Outlet	4	102	7½	191	N/A	N/A	N/A	N/A	6	152	6¾	152	5⅞	138	4.4	2.0
G1070VL	2.0 gpm Laminar Flow Vandal Resistant Outlet	4	102	7½	191	N/A	N/A	N/A	N/A	6	152	6¾	152	5⅞	138	4.4	2.0
G1070L5	0.5 gpm Laminar Flow Outlet	4	102	7½	191	N/A	N/A	N/A	N/A	6	152	6¾	152	5⅞	138	4.4	2.0
G1070VL5	0.5 gpm Laminar Flow Vandal Resistant Outlet	4	102	7½	191	N/A	N/A	N/A	N/A	6	152	6¾	152	5⅞	138	4.4	2.0
GP1070	2.0 gpm Aerator, Deck Plate	4	102	7½	191	8	203	10½	267	6	152	6¾	152	5⅞	138	5.1	2.3
GP1070VA	2.0 Vandal Resistant Aerator, Deck Plate	4	102	7½	191	8	203	10½	267	6	152	6¾	152	5⅞	138	5.1	2.3
GP1070-6	2.0 gpm Aerator, 6" Lever Handle, Deck Plate	4	102	7½	191	8	203	10½	267	6	152	6¾	152	5⅞	138	5.3	2.5
GP1070A5	0.5 gpm Outlet, Deck Plate	4	102	7½	191	8	203	10½	267	6	152	6¾	152	5⅞	138	5.1	2.3
GP1070V5	0.5 gpm Vandal Resistant Outlet	4	102	7½	191	8	203	10½	267	6	152	6¾	152	5⅞	138	5.1	2.3
GP1070A15	1.5 gpm Aerator, Deck Plate+	4	102	7½	191	8	203	10½	267	6	152	6¾	152	5⅞	138	5.1	2.3
GP1070L	2.0 gpm Laminar Flow Outlet, Deck Plate	4	102	7½	191	8	203	10½	267	6	152	6¾	152	5⅞	138	5.1	2.3
GP1070VL	2.0 gpm Laminar Flow Vandal Resistant Outlet, Deck Plate	4	102	7½	191	8	203	10½	267	6	152	6¾	152	5⅞	138	5.1	2.3
GP1070L5	0.5 gpm Laminar Flow Outlet, Deck Plate	4	102	7½	191	8	203	10½	267	6	152	6¾	152	5⅞	138	5.1	2.3
GP1070VL5	0.5 gpm Laminar Flow Vandal Resistant Outlet, Deck Plate	4	102	7½	191	8	203	10½	267	6	152	6¾	152	5⅞	138	5.1	2.3

+WaterSense® applies to 1.5 gpm aerator models only.

WaterSense® is a registered trademark of the EPA.



USA: T: (978) 689-6066 • F: (978) 975-8350 • Watts.com

Canada: T: (905) 332-4090 • F: (905) 332-7068 • Watts.ca

Latin America: T: (52) 81-1001-8600 • Watts.com