

For Foodservice Applications

Job Name _____

Contractor _____

Job Location _____

Approval _____

Engineer _____

Contractor's P.O. No. _____

Approval _____

Representative _____

LEAD FREE*

Series Brew Max Brew Station Filtration Systems

Flow Rate:

Brew Max-S2: Maximum 0.5 GPM (1.9 LPM)**Brew Max-S2L: Maximum 1 GPM (3.8 LPM)**

Hydro-Safe Brew Max systems have been specifically engineered to address and correct multiple water related problems for brew stations. Incorporating both high end coconut shell carbon filtration with OneFlow® media for scale control, these systems deliver superior filtration while providing advanced scale protection. Advanced carbon filtration for the reduction of lead, cyst and VOC in addition to chlorine taste and odor providing a superior consistent quality beverage.

Applications

- Coffee Brewers
- Tea Machines
- Soda Machines

Features

- Increases brew machine life, performance and quality
- Reduces scale build-up
- Reduces lead, cyst, VOC's, sediment, chlorine taste and odor
- Reduces maintenance and system downtime
- Consistent quality and better tasting drinks
- In/Out valves allow for easy filter service
- Pressure gauges and flush kit included
- Easy to install
- Simple filter replacement

System Specifications

Maximum Pressure: 125psi/8.6 bar

Maximum Temperature: 100°F/38°C

pH 6.5 to 8.5

Hardness (maximum for systems containing OneFlow) 75 grains (1282 ppm CaCO₃)

Chlorine < 2ppm

Iron (maximum) 0.3 mg/l

Manganese (maximum) 0.05 mg/l

Copper (for systems containing OneFlow) < 0.1 mg/l

Oil & H₂S- None allowed

Polyphosphate (for systems containing OneFlow)- None allowed

Silica (maximum for systems containing OneFlow) 10ppm

For all other feed water quality requirements abide by the current USEPA Safe Drinking Water Act standards.

Hydro-Safe®



Brew Max-S2



Brew Max-S2L



Brew Max Systems are Tested and Certified by WQA to NSF/ANSI Standard 42 and 53 for the reduction of claims specified on the Performance Data Sheet & NSF/ANSI 372 for "lead free" compliance.

Please note: Cartridge capacities are estimates and may be less depending on incoming water quality.

Note: Do not use with water that is microbiologically unsafe or of unknown quality without adequate disinfection before or after the system.

*The wetted surface of this product contacted by consumable water contains less than 0.25% of lead by weight.

Watts product specifications in U.S. customary units and metric are approximate and are provided for reference only. For precise measurements, please contact Watts Technical Service. Watts reserves the right to change or modify product design, construction, specifications, or materials without prior notice and without incurring any obligation to make such changes and modifications on Watts products previously or subsequently sold.

WATTS®

System Specifications cont.

Inlet/Outlet Connections: 3/8" NPT

OneFlow® Application Practices

Note: Systems using OneFlow technology prevent hardness related scale formation inside the plumbing system at influent hardness levels of 75 grains per gallon of calcium carbonate and less. Due to variances in water chemistry certain aesthetic conditions external of the plumbing system may not be attained. New copper lines need to be passivated before placing unit into service. Copper usually originates from new copper plumbing upstream of the OneFlow system. All new copper plumbing before the system should be allowed to passivate by operating under normal conditions for a period of 4 weeks prior to starting the system up. This will allow the copper surfaces to be fully flushed and develop a natural protective surface. To further minimize any problem with excess copper, avoid applying excess flux on the inner surfaces of the pipe and use a low-corrosivity water soluble flux listed under the ASTM B813 standard. OneFlow is not for use on closed loop systems.

System Model	Ordering Code	Max Flow Rate	Connection Size
Brew Max-S2	BRWMAX-S2S	0.5 GPM (1.9 LPM)	3/8" NPT
Brew Max-S2L	BRWMAX-S2L	1 GPM (3.8 LPM)	3/8" NPT

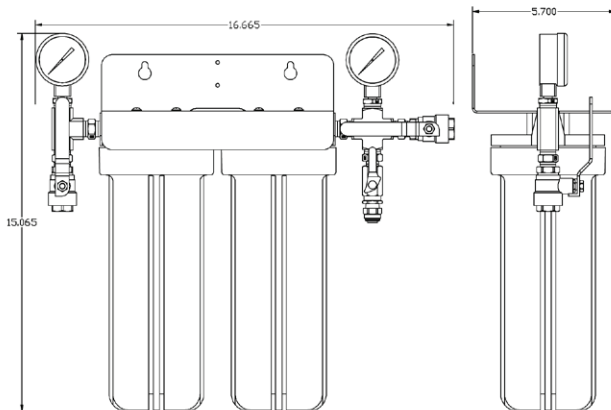
Filter Cartridge Life Span

Filter cartridges should be changed at end of filter life, due to lack of filtering performance, or whenever a 15 psi pressure drop or greater is experienced during normal operation, whichever comes first.

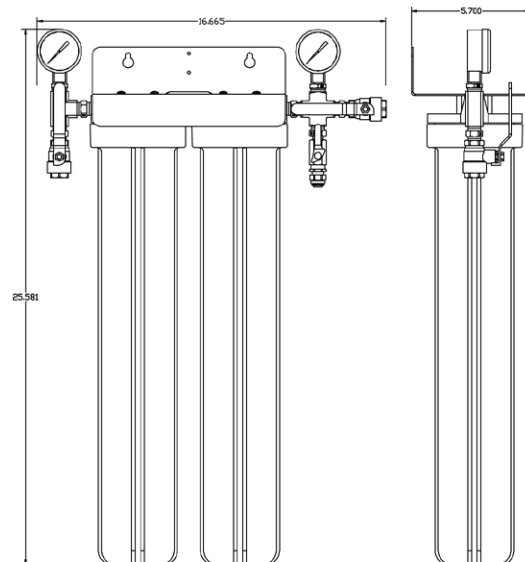
System Replacement Filters			
System Model	Filter Ordering Code	Frequency	Description
Brew Max-S2	BRWMAX-S2S-PM		All Filters for System Maintenance
	BRWMAXR-S-CB	6 Months	10" Coconut Shell Carbon Block
	DOR-OF110RM	12 Months	10" OneFlow Anti-Scale Cartridge
	STMAXR-S-ACSC	6 Months	10" Phosphate Scale Control (Option)
Brew Max-S2L	BRWMAX-S2L-PM		All Filters for System Maintenance
	BRWMAXR-L-CB	6 Months	20" Coconut Shell Carbon Block
	DOR-OF120RM	12 Months	20" OneFlow Anti-Scale Cartridge
	STMAXR-L-ACSC	6 Months	20" Phosphate Scale Control (Option)

System Diagrams

Brew Max-S2



Brew Max-S2L



Note: Allow 3" of clearance at bottom of system for removal of filter bowls for filter cartridge replacement



A Watts Water Technologies Company



Tel: (800) 264-1183 • Fax: (724) 733-4808 • foodservice.watts.com