

For Foodservice Applications

Job Name _____

Contractor _____

Job Location _____

Approval _____

Engineer _____

Contractor's P.O. No. _____

Approval _____

Representative _____

LEAD FREE*

Series Espresso Max

Espresso Beverage Machine Filtration Systems

Flow Rate:

Espresso Max-S2: Maximum 1 GPM (3.8 LPM)

Espresso Max-S2L: Maximum 2 GPM (7.6 LPM)

The Hydro-Safe Espresso Max line is developed to increase beverage sales and profit by reducing system down time and producing high quality beverages. Engineered with advanced carbon filtration and softening media, Espresso Max provides consistent high quality water for clean operation and great tasting beverages.

Applications

- Espresso Machines
- Tea Machines
- Bun Warmers
- Table Top Steamers

Features

- Increases espresso machine life, performance and quality
- Reduces scale build-up
- Reduces chlorine taste and odors
- Reduces maintenance and system downtime
- Consistent quality and better tasting drinks
- In/Out valves allow for easy filter service
- Pressure gauges and flush kit included
- Easy to install
- Simple filter replacement

System Specifications

Maximum Pressure: 125psi/8.6 bar

Maximum Temperature: 100°F/38°C

Inlet/Outlet Connections: 3/8" NPT

pH 6.5 to 8.5

Chlorine < 2ppm

Iron (maximum) 0.3 mg/l

Manganese (maximum) 0.05 mg/l

Oil & H₂S- None allowed

Polyphosphate- None allowed

For all other feed water quality requirements abide by the current USEPA Safe Drinking Water Act standards.

System Model	Ordering Code	Max Flow Rate	Connection Size
Espresso Max-S2	ESPMAX-S2S	1 GPM (3.8 LPM)	3/8 NPT
Espresso Max-S2L	ESPMAX-S2L	2 GPM (7.6 LPM)	3/8 NPT

*The wetted surface of this product contacted by consumable water contains less than 0.25% of lead by weight.

Watts product specifications in U.S. customary units and metric are approximate and are provided for reference only. For precise measurements, please contact Watts Technical Service. Watts reserves the right to change or modify product design, construction, specifications, or materials without prior notice and without incurring any obligation to make such changes and modifications on Watts products previously or subsequently sold.

Hydro-Safe®



Espresso Max-S2



Espresso Max-S2L



Espresso Max Systems are Tested and Certified by WQA to NSF/ANSI Standard 42 for the reduction of claims specified on the Performance Data Sheet & NSF/ANSI 372 for "lead free" compliance.

Please note: Cartridge capacities are estimates and may be less depending on incoming water quality.

Note: Do not use with water that is microbiologically unsafe or of unknown quality without adequate disinfection before or after the system.

WATTS®

Filter Cartridge Life Span

Filter cartridges should be changed at end of filter life, due to lack of filtering performance, or whenever a 15psi pressure drop or greater is experienced during normal operation, whichever comes first.

Replacement Filters

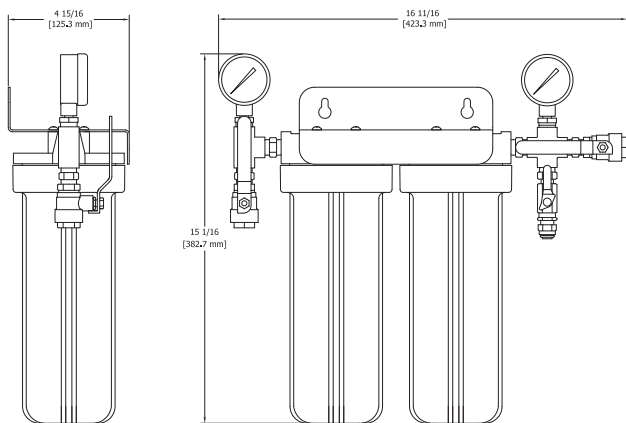
System Replacement Filters			
System Model	Filter Ordering Code	Frequency	Description
Espresso Max-S2	ESPMAX-S2S-PM		All Filters for System Maintenance
	ESPMAXR-S-CB	6 Months	10" Coconut Shell Carbon Block
	ESPMAXR-S-ST	As Needed	10" Cation Exchange Softening Filter
Espresso Max-S2L	ESPMAX-S2L-PM		All Filters for System Maintenance
	ESPMAXR-L-CB	6 Months	20" Coconut Shell Carbon Block
	ESPMAXR-L-ST	As Needed	20" Cation Exchange Softening Filter

Capacity Chart			
System Model	Grains of Ion Exchange Capacity	Water Hardness in Grains per Gallon	Estimated Ounces of Softened Water Produced
Espresso Max-S2	900	5	18,400
	900	10	9,200
	900	15	6,100
	900	20	4,600
Espresso Max-S2L	2100	5	43,000
	2100	10	21,500
	2100	15	14,300
	2100	20	10,700

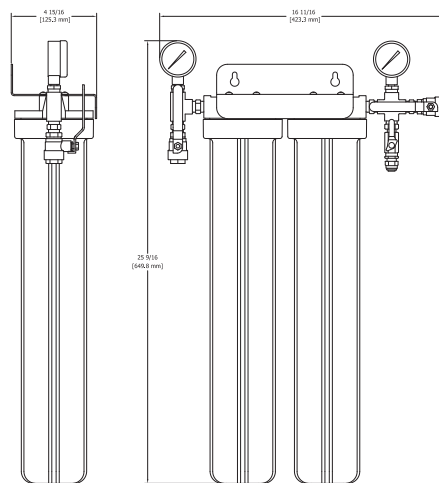
Treated water volumes are estimates and may vary.

System Diagrams

Espresso Max-S2



Espresso Max-S2L



Note: Allow 3" of clearance at bottom of system for removal of filter bowls for filter cartridge replacement



A Watts Water Technologies Company



Tel: (800) 264-1183 • Fax: (724) 733-4808 • foodservice.watts.com