

**For Foodservice Applications**

Job Name \_\_\_\_\_  
 Job Location \_\_\_\_\_  
 Engineer \_\_\_\_\_  
 Approval \_\_\_\_\_

Contractor \_\_\_\_\_  
 Approval \_\_\_\_\_  
 Contractor's P.O. No. \_\_\_\_\_  
 Representative \_\_\_\_\_

**LEAD FREE\***

**Series QT™ Espresso Max™**  
**Espresso Beverage Machine**  
**Filtration Systems**

**Flow Rate: 1 to 2 GPM (3.8 to 7.6 LPM)**

Hydro-Safe® QT Espresso Max line is developed to increase beverage sales and profit by reducing system down time and producing high quality beverages. Engineered with advanced carbon filtration and softening media, QT Espresso Max provides consistent high quality water for clean operation and great tasting beverages. Filter cartridge replacement is quick, easy, and sanitary because of the encapsulated design. The Hydro-Safe QT Espresso Max line features Lead Free\* construction to comply with Lead Free\* installation requirements.

**Applications**

- Espresso Machines
- Tea Machines
- Bun Warmers
- Table Top Steamers

**Features**

- Simple filter replacement using QT cartridges
- Increases espresso machine life, performance and quality
- Reduces scale build-up
- Reduces chlorine taste and odors
- Reduces maintenance and system downtime
- Consistent quality and better tasting drinks
- In/Out valves allow for easy filter service
- Pressure gauges and flush kit included
- Easy to install



**QTESPMAX-2S-10M**



**QTESPMAX-3S-10M**



QT Espresso Max Systems have been tested and certified according to NSF/ANSI 42 for reduction of the substances listed below. The concentration of the indicated substances in water entering the system was reduced to a concentration less than or equal to the permissible limit for water leaving the system, as specified in NSF/ANSI 42. These systems have been tested and certified according to NSF/ANSI Standard 372 for "lead free" compliance.

**⚠ WARNING**  
 Do not use with water that is microbiologically unsafe or of unknown quality without adequate disinfection before or after the system.

\*The wetted surface of this product contacted by consumable water contains less than 0.25% of lead by weight.

Watts product specifications in U.S. customary units and metric are approximate and are provided for reference only. For precise measurements, please contact Watts Technical Service. Watts reserves the right to change or modify product design, construction, specifications, or materials without prior notice and without incurring any obligation to make such changes and modifications on Watts products previously or subsequently sold. Refer to the owner's manual for warranty information.



## System Specifications

Maximum Pressure: 100 psi/6.8 bar

Minimum Pressure: 20 psi/1.4 bar

Maximum Temperature: 100°F/38°C

Minimum Temperature: 40°F/4.4°C

Feed Water Quality: pH 6.5 to 8.5

Chlorine < 2ppm

Iron (maximum) 0.3 mg/l

Manganese (maximum) 0.05 mg/l

Oil & H<sub>2</sub>S- None allowed

For all other feed water quality requirements abide by the current USEPA Safe Drinking Water Act standards.

System Model	Max Flow Rate	Chlorine Capacity*	Connection Size	Reduces			
				Sediment	Chlorine*	Scale	Chloramine
QTESPMAX-2S-10M	1 GPM (3.8 LPM)	20,000 Gallons	1/2" (15mm) NPT	✓	✓	✓	✓
QTESPMAX-3S-10M	2 GPM (7.6 LPM)	20,000 Gallons	1/2" (15mm) NPT	✓	✓	✓	✓

\*Chlorine capacity and chlorine reduction was Tested and Certified by WQA against NSF/ANSI standard 42. Testing was conducted with water having an influent challenge concentration of 2.0 mg/L (± 10%) free chlorine and an effluent reduction requirement of equal to or greater than 50%. Testing was performed under standard laboratory conditions, actual performance may vary. Other contaminant reduction claims are non certified.

## Filter Cartridge Life Span

Filter cartridges should be changed at end of filter life, due to lack of filtering performance, or whenever a 15psi pressure drop or greater is experienced during normal operation, whichever comes first.

## Replacement Filters

System Replacement Filters			
System Model	Filter Ordering Code	Frequency	Description
QTESPMAX-2S-10M	ESPMAXR-L-CB	6 Months	20" 5 Micron Coconut Shell Carbon Block
	QTES15	As Needed	15" Cation Exchange Water Softening Filter
QTESPMAX-3S-10M	ESPMAXR-L-CB	6 Months	20" 5 Micron Coconut Shell Carbon Block
	QTES15	As Needed	15" Cation Exchange Water Softening Filter (2)

### NOTICE

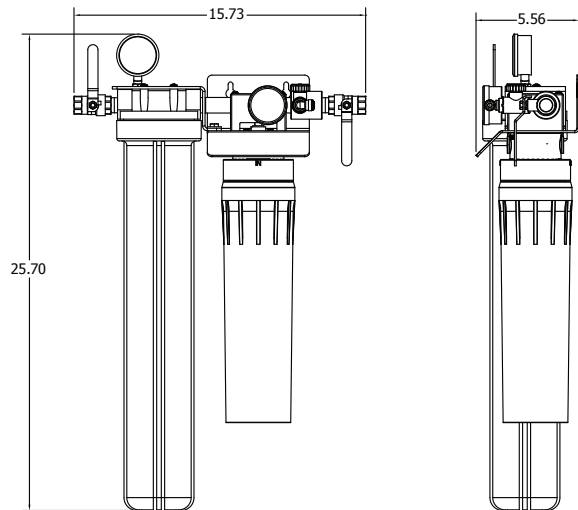
Cartridge capacities are estimates and may be less depending on incoming water quality. Once installed, flush new cartridges for 5 minutes prior to use for proper conditioning.

Capacity Chart			
System Model	Grains of Ion Exchange Capacity	Water Hardness in Grains per Gallon	Estimated Ounces of Softened Water Produced
QTESPMAX-2S-10M	2,000	5	40,000
	2,000	10	20,000
	2,000	15	13,600
	2,000	20	10,000
QTESPMAX-3S-10M	4000	5	80,000
	4000	10	40,000
	4000	15	27,000
	4000	20	20,000

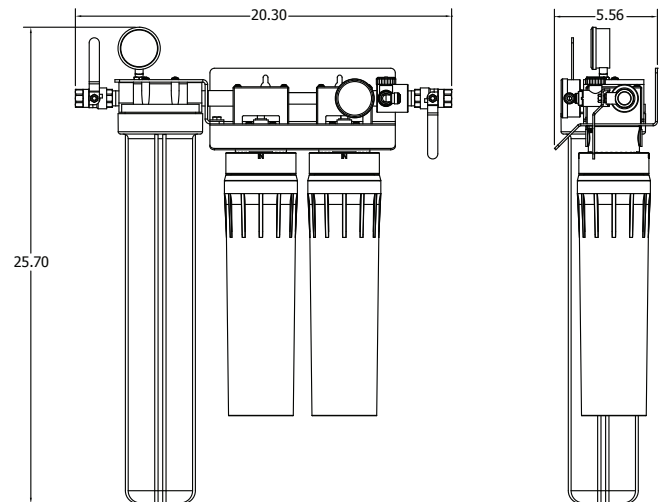
Treated water volumes are estimates based on having all new cartridges and may vary.

## System Diagrams

### QTESPMAX-2S-10M



### QTESPMAX-3S-10M



**Note:** Allow 3" of clearance at bottom of system for removal of filter bowls for filter cartridge replacement



A Watts Water Technologies Company



Tel: (800) 264-1183 • Fax: (724) 733-4808 • foodservice.watts.com