

Models: 126F-CS, 126F-SS

Cast Carbon or Stainless Steel Flanged End Simplex Basket Strainers Sizes: 3/4" - 18" (20 - 450mm)

Pressure/Temperature - Non-Shock		
Model	Material	Rating
126F-CS	Carbon	740psi @ -20 to 100°F
	Steel	51.1 bar @ 38°C
		320psi @ 850°F
126F-SS	Stainless Steel	23.0 bar @ 450°C
		720psi @ -20 to 100°F
		49.6 bar @ 38°C
		420psi @ 850°F
		28.8 bar @ 450°C

All units with knob type enclosure are rated 200psi.

126F-CS Carbon Steel **Class 300**

126F-SS Stainless Steel **Class 300**



Model 126F

NOTICE

The information contained herein is not intended to replace the full product installation and safety information available or the experience of a trained product installer. You are required to thoroughly read all installation instructions and product safety information before beginning the installation of this product.

Strainers provide economical protection for costly pumps, meters, valves, and other similar mechanical equipment by straining foreign matter from the connected piping system. Installation of a strainer before mechanical equipment can ensure trouble free service and avoid costly shut-downs for repair or replacement of equipment damaged by foreign matter. The size of the perforation or mesh in the basket screen will determine the smallest particles captured. See Strainer Information section of the Mueller Steam Specialty Engineering binder for detailed information including sizes and materials available.

Typical Service

- These strainers can be specified for many applications in chemical processes, including brine, paint, fuel oil, organic and inorganic chemicals, as well as condensers and heat exchangers, to name just a few.

Features

- Designed for large capacity straining and ease of maintenance.
- Bolted cover standard on all sizes.
- Quick-opening knobs available to minimize service time.
- Machined basket seat eliminates particle bypass.

Construction

- Flat gasket, bolted cover
- Plugged NPT connection is provided at location D. See next page.

Capacity

Large baskets with high Open Area Ratios.
 With standard units:

- Up to 4" - Minimum 6:1 (600%) Open Area Ratio
- 5" and Up - Minimum 5:1 (500%) Open Area Ratio

Special Coatings and Treatments

- Epoxy and other corrosion resistant coatings are available, consult factory
- Pickling and passivation are available on Stainless Steel, consult factory.

Steam Jacketing

- Available on request, consult factory.

Baskets

MODEL	SIZES	STANDARD (WATER)		STEAM RECOMENDATION	
		MATERIAL	OPENING	MATERIAL	OPENING
126F-CS	3/4" - 4"	304SS	.062 perf	304SS	.045 perf
126F-SS	5" and Up	304SS	.125 perf	Consult Factory	

Job Name _____

Contractor _____

Job Location _____

Approval _____

Engineer _____

Contractor's P.O. No. _____

Approval _____

Representative _____

Materials

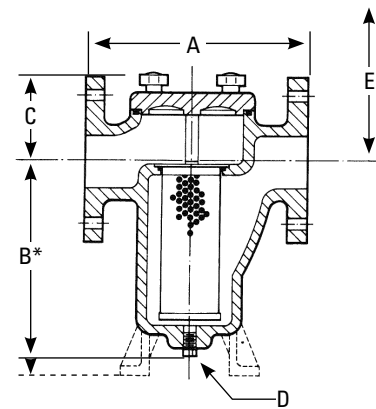
	126F-CS	126F-SS
Body	Carbon Steel ASTM A216 Grade WCB	Stainless Steel ASTM A351 Grade CF8M
Cover	Carbon Steel ASTM A216 Grade WCB	Stainless Steel ASTM A351 Grade CF8M
Gasket	316SS Graphite	316SS Graphite

Pressure Drop

See Pressure Drop Charts in the Technical Data section of the Mueller Steam Specialty Engineering binder.

Dimensions and Weights

SIZE		DIMENSIONS								WEIGHT			
		A		B		C		D (NPT)		E Screen Removal		Carbon Steel or SS	
in.	mm	in.	mm	in.	mm	in.	mm	in.	mm			lbs.	kgs.
¾	20	6 ³ / ₁₆	157	4 ¹ / ₁₆	119	2 ³ / ₄	70	¾	10	5 ⁷ / ₈	150	11	5
1	25	6 ³ / ₁₆	157	4 ¹ / ₁₆	119	2 ³ / ₄	70	¾	10	5 ⁷ / ₈	150	11	5
1¼	32	7 ⁷ / ₁₆	189	6½	165	3	76	½	15	8 ⁸ / ₁₆	206	19	8.6
1½	40	7 ⁷ / ₁₆	189	6½	165	3	76	½	15	8 ⁸ / ₁₆	206	19	8.6
2	50	9½	241	7 ⁷ / ₈	200	3 ³ / ₈	92	¾	20	10 ¹ / ₈	257	29	13
2½	65	11	279	8¾	222	4	102	1	25	11 ⁷ / ₁₆	291	45	20
3	90	12½	318	11 ³ / ₈	289	4½	114	1	25	14 ¹³ / ₁₆	376	75	43
4	100	15 ⁷ / ₈	397	15 ⁷ / ₈	403	5¾	146	2	50	19 ⁷ / ₈	505	153	69
5	125	19¼	489	18 ³ / ₈	467	7 ⁷ / ₁₆	189	1½	40	25 ⁹ / ₁₆	650	218	99
6	150	21 ¹ / ₈	537	22 ² / ₈	568	8 ³ / ₁₆	208	2	50	29 ¹ / ₈	740	310	140
8	200	28 ³ / ₈	721	27¾	705	9 ⁹ / ₁₆	233	2	50	29 ¹ / ₈	740	555	252
10	250	30 ⁷ / ₈	784	35 ⁵ / ₁₆	897	12 ⁷ / ₁₆	316	2	50	50 ¹³ / ₁₆	1291	1282	581
12	300	35¼	895	43 ³ / ₈	1114	10¾	273	2	50	61¼	1556	1250	567
14	350	48 ⁵ / ₈	1235	34 ³ / ₈	873	20 ⁵ / ₈	524	2	50	69	1753	1722	781
16	400	48¾	1238	34 ³ / ₈	873	20 ¹ / ₁₆	510	2	50	69	1753	1814	823
18	450	51 ¹ / ₈	1299	58	1381	16	406	2	50	82	2083	3142	1425



Model 126F

* "B" dimension includes the floor supports on 4" size and larger

Apply for certified drawings.

Note - For Tefzel or other polymer lined units:

- Add 1/4" to "A" dimension.
- NPT drain not provided.

Mueller Steam Specialty product specifications in U.S. customary units and metric are approximate and are provided for reference only. For precise measurements, please contact Mueller Steam Specialty Technical Service. Mueller Steam Specialty reserves the right to change or modify product design, construction, specifications, or materials without prior notice and without incurring any obligation to make such changes and modifications on Mueller Steam Specialty products previously or subsequently sold.



A Watts Water Technologies Company

USA: Tel: (800) 334-6259 • Fax: (800) 421-6772 • MuellerSteam.com

Latin America: Tel: (52) 81-1001-8600 • Fax: (52) 81-8000-7091 • MuellerSteam.com

ES-MS-126FCS_126FSS 1513

© 2015 Mueller Steam Specialty