

Models: 22, 23, 24

Basket, Conical and Plate Temporary Strainers Sizes: 3/4" - 24" (20 - 600mm)

- 22 Basket Type
- 23 Conical Type
- 24 Plate Type



NOTICE

Flow Direction for conicals:
 Inside Out: Flow enters at flange and exits by diffusing through conical section.
 Outside In: Flow enters through the perforated portion and exits at the flange.

Typical Service

- Mueller Steam Specialty Temporary Strainers provide effective and economical protection of pumps, valves, meters and other costly equipment.
- Temporary Strainers are used during piping system commissioning and startup to remove debris left in the line during construction.
- Temporary Strainers are often used as part of FME (Foreign Material Exclusion) programs during maintenance outages.
- Temporary Strainers should not be used in place of permanent strainers.
- Remove Temporary Strainers from pipelines after commissioning.

Standard Construction

- 11 Ga. / 1/8" Tk. Flange Ring - to fit ASME B16.5 Class 150 to Class 2500 (specify)
- 304 Stainless Steel Materials of Construction
- Conical Screen - 1/8" Perforations on 3/16" Diagonal Centers

Optional Construction

- Heavy Gauge Flange Rings, Special Machining, RTJ Male or RTJ Female, DIN Patterns, etc.
- Carbon steel, 316 SS and other alloys available on request.
- Many other Screening Options available.
 - Specify Perforation Sizes/Patterns on request.
 - Mesh Lined for Fine Straining – Specify Mesh Size and Inside or Outside.
- Inverted Conicals (Cone-in-Cone) for High Open Area Ratios.
- Reinforced construction for high flows/differential pressure.

Installation

- These units are installed between flanges.
- Ideal for applications where space restrictions are a factor

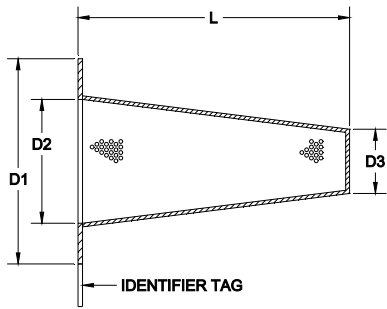
Pressure Drop

- Consult factory. Specify size(s), Perf and Mesh Options and Flow information for:
 - Liquids: Flow Rate and Specific Gravity.
 - Gases: Flow in SCFM, Specific Gravity vs. Air, Operating Temperature and Pressure.
 - Steam: Flow Rate in Pounds/Hour, Pressure, Temperature (or saturated).
 - All: Direction of Flow – Inside Out or Outside In.

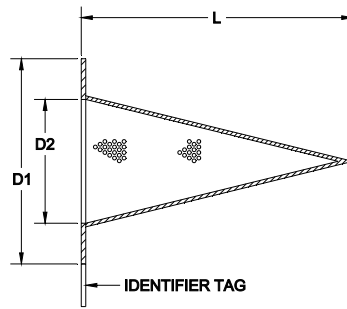
Job Name _____
 Job Location _____
 Engineer _____
 Approval _____

Contractor _____
 Approval _____
 Contractor's P.O. No. _____
 Representative _____

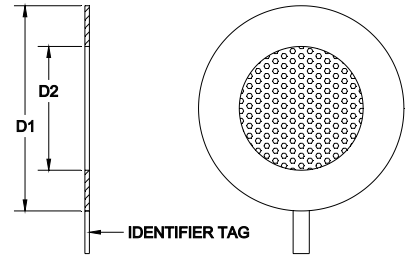
Dimensions and Weights



**MODEL 22
BASKET STYLE**



**MODEL 23
CONICAL STYLE**



**MODEL 24
PLATE STYLE**

Models 22 (Basket), 23 (Conical) & 24 Plate

		D2	D1 (RING OD)				MODEL 22 (BASKET) W/STD: L=				D3	MODEL 23 (CONICAL) W/STD: L=			
in.	mm		150# 300#	600#	900#	1500#	100% O.A.	150%	200%	300%	Bottom Dia.	100% O.A.	150%	200%	300%
¾	20	0.63	2.13	2.5	2.63	2.63	2.00	-	-	2.25	0.38	2.25	2.25	3.00	3.37
1	25	0.75	2.50	2.75	3.00	3.00	2.00	-	-	3.37	0.50	2.75	2.75	3.00	5.00
1½	40	1.25	3.25	3.63	3.75	3.75	2.75	-	3.00	4.50	0.75	3.19	4.00	5.00	6.75
2	50	1.75	4.00	4.25	5.50	5.50	3.00	-	4.00	6.00	1.00	3.50	6.00	8.00	9.13
2½	65	2.25	4.75	5.00	6.38	6.38	3.19	-	4.50	6.75	1.25	4.06	6.25	8.00	10.13
3	80	2.75	5.25	5.75	6.50	6.75	3.50	3.88	5.50	8.50	1.50	4.25	6.75	9.00	12.75
4	100	3.75	6.75	7.5	8.00	8.13	4.00	5.00	7.00	11.00	2.00	5.00	10.00	12.00	16.13
5	125	4.63	7.63	9.38	9.63	9.88	5.00	6.00	9.00	14.00	2.50	6.50	12.00	14.00	20.63
6	150	5.38	8.63	10.38	11.25	11.00	6.00	7.00	11.00	17.00	3.00	7.50	13.00	18.00	25.63
8	200	7.38	10.88	12.50	14.00	13.75	6.13	8.19	14.00	22.00	4.00	10.00	17.00	23.00	32.25
10	250	9.38	13.25	15.63	17.00	17.00	7.50	12.00	18.00	27.00	5.00	12.50	22.00	28.00	40.00
12	300	11.00	16.00	17.88	19.50	20.38	9.00	13.00	20.00	33.00	6.00	15.00	26.00	34.00	49.00
14	350	12.25	17.38	19.00	20.38	22.63	10.00	15.00	21.00	36.00	7.00	16.50	27.00	36.00	54.00
16	400	14.00	20.13	21.88	22.50	-	10.00	17.00	23.00	42.00	8.00	19.00	30.00	40.00	62.00
18	450	15.75	21.25	23.75	25.00	-	12.00	19.00	27.00	47.00	9.00	22.00	35.00	46.00	71.00
20	500	17.50	23.50	26.63	-	-	14.00	21.00	31.00	53.00	10.00	24.00	39.00	51.00	79.00
24	600	21.25	27.88	30.88	-	-	16.00	25.00	37.00	64.00	12.00	29.00	45.00	61.00	94.88

% Open area: Conical with standard 1/8" Dia. Holes on 3/16" centers, compared to cross sectional area of inlet.
Dimensional Tolerances: Diameters ± 1/16"; Lengths ± 1/8"

NOTICE

1. For mesh lined cones, it is critical to specify flow direction. For inside out flow, mesh is placed inside the temporary strainer. For outside in flow, mesh is placed on the outside of the strainer.
2. Standard dimensions to fit Schedule STD and XS pipe. For heavier pipe schedules, consult factory.
3. Table represents standard dimensions. Alternate dimensions available on request.

NOTICE

The information contained herein is not intended to replace the full product installation and safety information available or the experience of a trained product installer. You are required to thoroughly read all installation instructions and product safety information before beginning the installation of this product.

Mueller Steam Specialty product specifications in U.S. customary units and metric are approximate and are provided for reference only. For precise measurements, please contact Mueller Steam Specialty Technical Service. Mueller Steam Specialty reserves the right to change or modify product design, construction, specifications, or materials without prior notice and without incurring any obligation to make such changes and modifications on Mueller Steam Specialty products previously or subsequently sold.



A Watts Water Technologies Company

USA: Tel: (800) 334-6259 • Fax: (800) 421-6772 • MuellerSteam.com
Latin America: Tel: (52) 81-1001-8600 • Fax: (52) 81-8000-7091 • MuellerSteam.com