

Model: 251-DI

Ductile Iron Screwed End Y Strainer Sizes: 1/4" - 3" (8 - 80mm)

Pressure/Temperature - Non-Shock		
Model	Material	Rating
251-DI	Ductile iron	640psi @ 100°F 450psi @ 650°F

251-DI

Class 300



Model 251-DI

Typical Service

- Used extensively to strain foreign matter from pipelines and provide economical protection for costly pumps, meters, valves, and other similar mechanical equipment.

Features

- Machined seats in both body and cap align and lock the screen in place to stop sediment bypass.

Construction

- Gasketed cap is used for easy disassembly and assembly. Many others use Loctite, rendering disassembly virtually impossible

NOTE: Bolted covers are supplied on sizes 2½" and 3".

Self-Cleaning

- Self-cleaning is accomplished by opening the plug or valve connected to the blowoff outlet.

Blowoff Outlets

- Outlets are NPT tapped
- Sizes of tapping are specified on next page
- Not normally furnished with plug. Plug available, specify with order

Capacity

- Generously proportioned bodies
- Open Area Ratio much greater than pipe size, ensuring low pressure drop

Screens

MODEL	SIZES	STANDARD (WATER)		STEAM RECOMMENDATION	
		MATERIAL	OPENING	MATERIAL	OPENING
251-DI	1/4" - 3"	304SS	.062 perf	304SS	.045 perf

Materials

	251-DI
Body	Ductile Iron ASTM A536 Gr. 65-45-12
Cap	Ductile Iron ASTM A536 Gr. 65-45-12

Job Name _____

Contractor _____

Job Location _____

Approval _____

Engineer _____

Contractor's P.O. No. _____

Approval _____

Representative _____

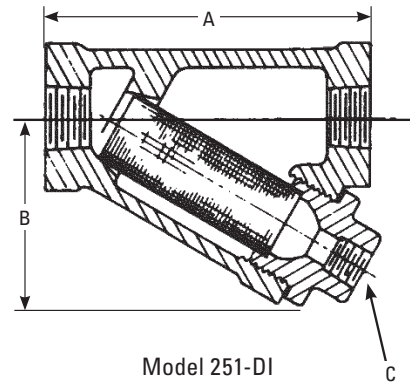
Pressure Drop

See Pressure Drop Charts in Technical Data Section in the Mueller Steam Specialty Engineering binder.

Dimensions and Weights

SIZE		DIMENSIONS						WEIGHT	
		A		B		C (NPT)			
in.	mm	in.	mm	in.	mm	in.	mm	lbs.	kgs.
1/4	6	3 ¹³ / ₁₆	97	2 ³ / ₁₆	56	3/8	10	2	.9
3/8	10	3 ¹³ / ₁₆	97	3 ³ / ₁₆	56	3/8	10	2	.9
1/2	15	3 ¹³ / ₁₆	97	2 ³ / ₁₆	56	3/8	10	2	.9
3/4	20	4 ³ / ₄	120	2 ⁷ / ₈	73	1/2	12	2.5	1.1
1	25	5 ⁷ / ₁₆	138	3 ¹ / ₄	83	3/4	15	4	1.8
1 ¹ / ₄	32	6 ⁵ / ₁₆	160	3 ³ / ₄	95	3/4	15	5	2.2
1 ¹ / ₂	40	7 ¹ / ₂	190	4 ¹¹ / ₁₆	119	1	25	7.5	3.4
2	50	8 ¹ / ₈	206	5 ¹ / ₂	140	1 ¹ / ₄	32	12	5.4
2 ¹ / ₂	65	10 ¹ / ₂	266	6 ⁵ / ₈	168	1 ¹ / ₂	40	22	10
3	80	12 ¹ / ₂	318	6 ⁷ / ₈	175	1 ¹ / ₂	40	33	15

Apply for certified drawings.



Mueller Steam Specialty product specifications in U.S. customary units and metric are approximate and are provided for reference only. For precise measurements, please contact Mueller Steam Specialty Technical Service. Mueller Steam Specialty reserves the right to change or modify product design, construction, specifications, or materials without prior notice and without incurring any obligation to make such changes and modifications on Mueller Steam Specialty products previously or subsequently sold.

