

Model: 752

Job Name _____

Contractor _____

Job Location _____

Approval _____

Engineer _____

Contractor's P.O. No. _____

Approval _____

Representative _____

LEAD FREE*

Cast Iron Flanged End Y Strainers

Model: 752**Sizes: 1½" - 24"****WORKING PRESSURE—NON-SHOCK**

ASME B16.1

NPT Sizes 1½" - 12"	500psi @ -20 to 150°F
	34.5 bar @ -29 to 65°C
NPT Sizes 14" - 24"	250psi @ 450°F
	17.2 bar @ 232°C
NPT Sizes 14" - 24"	300psi @ -20 to -150°F
	20.7 bar @ -29 to 65°C
NPT Sizes 14" - 24"	200psi @ 406°F
	13.8 bar @ 208°C

752 - Class 250

Features

- Mueller "Breech-Lok Strainers"
- Furnished as standard in sizes 8" and larger
 - A one-quarter turn securely locks the screen in its seat
 - Allows for easy bolting of the cover flange
- Tapered seats in both the body and cover flange retain screen and prevent particle bypass

Construction

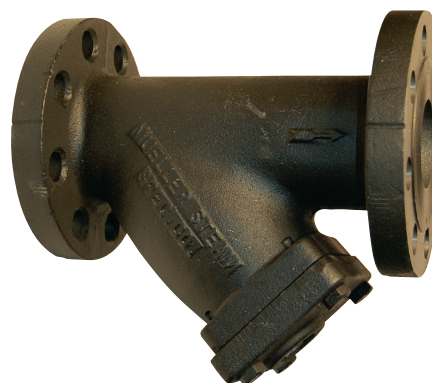
- Gasketed cover, O-ring seats available

Self-Cleaning

- Self-cleaning is accomplished by opening the plug or valve connected to the blowoff outlet

Blowoff Outlets

- Outlets are NPT tapped
- Sizes of tapping specified on next page
- Not normally furnished with plug. Plug available, specify with order

**Model 752****Capacity**

- Generously proportioned bodies
- Open Area Ratio much greater than pipe size, ensuring low pressure drop

Screens

MODEL	SIZES	STANDARD (WATER)		STEAM RECOMMENDATION	
		MATERIAL	OPENING	MATERIAL	OPENING
752	1½" - 4"	304SS	.062 perf	304SS	.045 perf
	5" - 10"	304SS	.125 perf	304SS	.045 perf
	10" & Up	304SS	.125 perf	304SS	.062 perf

NOTICE

The information contained herein is not intended to replace the full product installation and safety information available or the experience of a trained product installer. You are required to thoroughly read all installation instructions and product safety information before beginning the installation of this product.

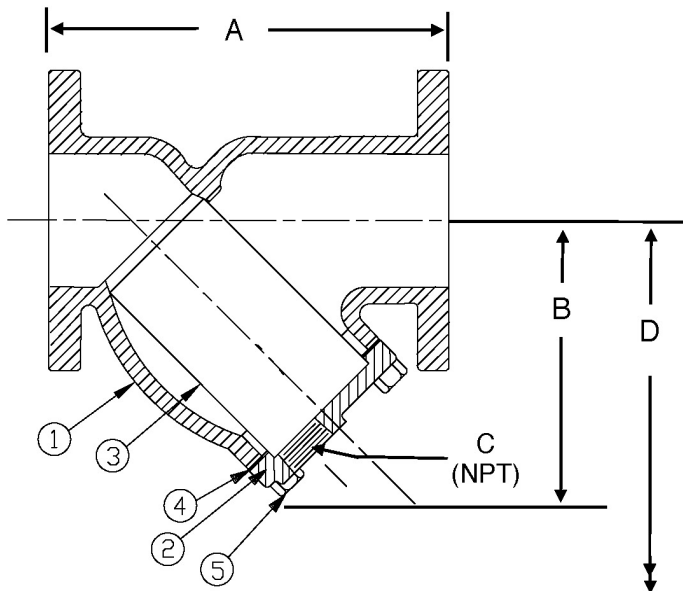
***The wetted surface of this product contacted by consumable water contains less than 0.25% of lead by weight.**

Mueller Steam Specialty product specifications in U.S. customary units and metric are approximate and are provided for reference only. For precise measurements, please contact Mueller Steam Specialty Technical Service. Mueller Steam Specialty reserves the right to change or modify product design, construction, specifications, or materials without prior notice and without incurring any obligation to make such changes and modifications on Mueller Steam Specialty products previously or subsequently sold.

Mueller Steam Specialty™

A WATTS Brand

Materials



BILL OF MATERIAL - 758		
ITEM	DESCRIPTION	MATERIAL
1	BODY	Cast Iron ASTM A126-B
2	COVER **	Cast Iron ASTM A126-B
3	SCREEN	304 SS
4	GASKET	Non-Asbestos
5	HEX HEAD CAP SCREWS	SAE J429 Gr. 5

** Cover may be manufactured from equivalent grad plate material

Pressure Drop

See Pressure Drop Charts in Technical Data section of the Mueller Steam Specialty Engineering binder. Cv values are noted in the Dimensions and Weights table below.

Dimensions and Weights

SIZE	DIMENSIONS								WEIGHT		CV
	A		B		C (NPT)		D Screen Removal		lbs.	kgs.	
in.	in.	mm	in.	mm	in.	mm	in.	mm			GPM
3/4	738	187	334	95	1/2	15	5	127	10	4.5	15
1	738	187	378	98	1/2	15	5	127	10	4.5	22
1 1/4	712	190	434	120	1/2	15	6 1/2	165	13	5.9	38
1 1/2	712	190	434	120	1/2	15	6 1/2	165	13	5.9	42
2	778	200	514	133	1/2	15	7	178	18	8	70
2 1/2	10	254	612	165	1	25	9 3/4	248	28	12	110
3	101/8	257	7	178	1	25	10	254	34	15	140
4	121/8	308	81/4	210	1 1/2	40	12	305	60	27	245
5	155/8	397	111/4	286	2	50	17	432	95	43	400
6	181/2	470	131/2	343	2	50	20	508	133	60	600
8	215/8	549	151/2	394	2	50	22 3/4	578	247	112	1,000
10	253/4	654	181/2	470	2	50	28	711	370	168	1,580
12	297/8	759	213/4	553	2	50	30	762	579	263	2,200
14	331/4	846	25	635	2	50	36 1/2	927	863	392	3,200
16	383/4	984	261/2	673	2	50	42	1067	1380	627	4,900
18	431/8	1105	31	788	2	50	45 1/2	1156	2272	1032	6,100
20	491/2	1257	383/16	970	2	50	55 3/8	1407	2675	1213	8,000
24	581/2	1486	441/16	1119	2	50	67 1/4	1708	4880	2213	11,000

Apply For Certified Drawings.

Limited Warranty: Mueller Steam Specialty warrants each product to be free from defects in material and workmanship under normal usage for a period of one year from the date of original shipment. In the event of such defects within the warranty period, the Company will, at its option, replace or recondition the product without charge. This shall constitute the sole and exclusive remedy for breach of warranty, and the Company shall not be responsible for any incidental, special or consequential damages, including without limitation, lost profits or the cost of repairing or replacing other property which is damaged if this product does not work properly, other costs resulting from labor charges, delays, vandalism, negligence, fouling caused by foreign material, damage from adverse water conditions, chemical, or any other circumstances over which the Company has no control. This warranty shall be invalidated by any abuse, misuse, misapplication or improper installation of the product. **THIS WARRANTY IS IN LIEU OF ALL OTHER WARRANTIES, EXPRESS OR IMPLIED, INCLUDING ANY IMPLIED WARRANTIES OF MERCHANTABILITY OR FITNESS FOR A PARTICULAR PURPOSE.** Any implied warranties that are imposed by law are limited in duration to one year.

Some States do not allow limitations on how long an implied warranty lasts, and some States do not allow the exclusion or limitation of incidental or consequential damages. Therefore the above limitations may not apply to you. This Limited Warranty gives you specific legal rights, and you may have other rights that vary from State to State. You should consult applicable state laws to determine your rights.



A WATTS Brand

USA: T: (800) 334-6259 • F: (800) 421-6772 • MuellerSteam.com

Latin America: T: (52) 81-1001-8600 • MuellerSteam.com

© 2019 Mueller Steam Specialty