



## Material

	792FB, 794FB
Body	Aluminum Bronze ASTM B148
Cover	Aluminum Bronze ASTM B148
Seats	PTFE
O-Rings	Buna-N

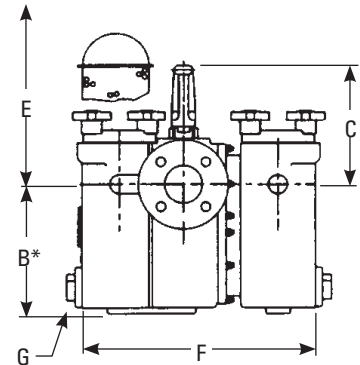
## Dimensions and Weights

SIZE		DIMENSIONS								WEIGHT							
	A	B	C	D		E	F	G									
in.	mm	in.	mm	in.	mm	in.	mm	in.	mm	in.	mm	lbs.	kg.				
<b>792FB</b>																	
1	25	6 <sup>7</sup> / <sub>8</sub>	175	4 <sup>15</sup> / <sub>16</sub>	125	4 <sup>5</sup> / <sub>8</sub>	118	10	254	7 <sup>3</sup> / <sub>4</sub>	197	10 <sup>9</sup> / <sub>16</sub>	259	3/4	20	35	15.8
1 <sup>1</sup> / <sub>4</sub>	32	9 <sup>3</sup> / <sub>8</sub>	238	6 <sup>3</sup> / <sub>4</sub>	171	4 <sup>3</sup> / <sub>8</sub>	111	10	254	10 <sup>3</sup> / <sub>8</sub>	264	12 <sup>3</sup> / <sub>4</sub>	324	1 <sup>1</sup> / <sub>4</sub>	32	65	29.4
1 <sup>1</sup> / <sub>2</sub>	40	9 <sup>3</sup> / <sub>8</sub>	238	6 <sup>3</sup> / <sub>4</sub>	171	4 <sup>3</sup> / <sub>8</sub>	111	10	254	10 <sup>3</sup> / <sub>8</sub>	264	12 <sup>3</sup> / <sub>4</sub>	324	1 <sup>1</sup> / <sub>4</sub>	32	65	29.4
2	50	10 <sup>5</sup> / <sub>8</sub>	270	8 <sup>3</sup> / <sub>16</sub>	208	7 <sup>1</sup> / <sub>8</sub>	181	20	508	12 <sup>5</sup> / <sub>8</sub>	321	16 <sup>3</sup> / <sub>8</sub>	416	1 <sup>1</sup> / <sub>2</sub>	40	118	53.5
2 <sup>1</sup> / <sub>2</sub>	65	13 <sup>1</sup> / <sub>2</sub>	343	12	305	8 <sup>3</sup> / <sub>16</sub>	205	20	508	17 <sup>21</sup> / <sub>32</sub>	448	20 <sup>3</sup> / <sub>8</sub>	518	1 <sup>1</sup> / <sub>2</sub>	40	249	112.9
3	80	13 <sup>1</sup> / <sub>2</sub>	343	12	305	8 <sup>3</sup> / <sub>16</sub>	205	20	508	17 <sup>21</sup> / <sub>32</sub>	448	20 <sup>3</sup> / <sub>8</sub>	518	1 <sup>1</sup> / <sub>2</sub>	40	249	112.9
4††	100	16	406	16 <sup>13</sup> / <sub>16</sub>	427	15 <sup>1</sup> / <sub>2</sub>	394	14+	356	23 <sup>1</sup> / <sub>2</sub>	597	24 <sup>1</sup> / <sub>2</sub>	622	1 <sup>1</sup> / <sub>2</sub>	40	435	197.2
5††	125	22	559	18 <sup>5</sup> / <sub>8</sub>	473	17 <sup>1</sup> / <sub>4</sub>	438	14+	356	25 <sup>11</sup> / <sub>16</sub>	653	26 <sup>1</sup> / <sub>4</sub>	667	1 <sup>1</sup> / <sub>2</sub>	40	746	338.3
6††	150	22	559	18 <sup>5</sup> / <sub>8</sub>	473	17 <sup>1</sup> / <sub>4</sub>	438	14+	356	25 <sup>11</sup> / <sub>16</sub>	653	26 <sup>1</sup> / <sub>4</sub>	667	1 <sup>1</sup> / <sub>2</sub>	40	746	338.3
<b>794FB</b>																	
1	25	7 <sup>1</sup> / <sub>8</sub>	181	4 <sup>15</sup> / <sub>16</sub>	125	4 <sup>5</sup> / <sub>8</sub>	118	10	254	7 <sup>3</sup> / <sub>4</sub>	197	10 <sup>9</sup> / <sub>16</sub>	259	3/4	20	40	18.1
1 <sup>1</sup> / <sub>4</sub>	32	9 <sup>3</sup> / <sub>8</sub>	238	6 <sup>3</sup> / <sub>4</sub>	171	4 <sup>3</sup> / <sub>8</sub>	111	10	254	10 <sup>3</sup> / <sub>8</sub>	264	12 <sup>3</sup> / <sub>4</sub>	324	1 <sup>1</sup> / <sub>4</sub>	32	70	31.7
1 <sup>1</sup> / <sub>2</sub>	40	9 <sup>3</sup> / <sub>8</sub>	238	6 <sup>3</sup> / <sub>4</sub>	171	4 <sup>3</sup> / <sub>8</sub>	111	10	254	10 <sup>3</sup> / <sub>8</sub>	264	12 <sup>3</sup> / <sub>4</sub>	324	1 <sup>1</sup> / <sub>4</sub>	32	70	31.7
2	50	10 <sup>5</sup> / <sub>8</sub>	270	8 <sup>3</sup> / <sub>16</sub>	208	7 <sup>1</sup> / <sub>8</sub>	181	20	508	12 <sup>5</sup> / <sub>8</sub>	321	16 <sup>3</sup> / <sub>8</sub>	416	1 <sup>1</sup> / <sub>2</sub>	40	120	54.4
2 <sup>1</sup> / <sub>2</sub>	65	14 <sup>1</sup> / <sub>4</sub>	362	12	305	8 <sup>3</sup> / <sub>16</sub>	205	20	508	17 <sup>21</sup> / <sub>32</sub>	448	20 <sup>3</sup> / <sub>8</sub>	518	1 <sup>1</sup> / <sub>2</sub>	40	260	117.9
3	80	14 <sup>1</sup> / <sub>4</sub>	362	12	305	8 <sup>3</sup> / <sub>16</sub>	205	20	508	17 <sup>21</sup> / <sub>32</sub>	448	20 <sup>3</sup> / <sub>8</sub>	518	1 <sup>1</sup> / <sub>2</sub>	40	260	117.9
4††	100	16 <sup>1</sup> / <sub>2</sub>	419	16 <sup>13</sup> / <sub>16</sub>	427	15 <sup>1</sup> / <sub>2</sub>	394	14+	356	23 <sup>1</sup> / <sub>2</sub>	597	24 <sup>1</sup> / <sub>2</sub>	622	1 <sup>1</sup> / <sub>2</sub>	40	450	204.0
5††	125	22 <sup>7</sup> / <sub>8</sub>	581	18 <sup>5</sup> / <sub>8</sub>	473	17 <sup>1</sup> / <sub>4</sub>	438	14+	356	25 <sup>11</sup> / <sub>16</sub>	653	26 <sup>1</sup> / <sub>4</sub>	667	1 <sup>1</sup> / <sub>2</sub>	40	—	—
6††	150	22 <sup>7</sup> / <sub>8</sub>	581	18 <sup>5</sup> / <sub>8</sub>	473	17 <sup>1</sup> / <sub>4</sub>	438	14+	356	25 <sup>11</sup> / <sub>16</sub>	653	26 <sup>1</sup> / <sub>4</sub>	667	1 <sup>1</sup> / <sub>2</sub>	40	—	—

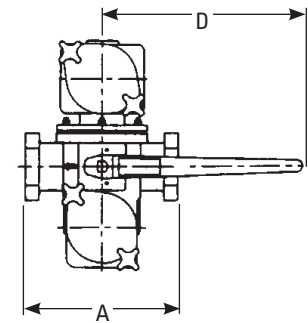
Apply For Certified Drawings.

+ 4", 5" and 6" units are standard with a gear operator. The handwheel dimension is 10".

†† 4", 5" and 6" units are standard with floor supports. Dimension "B" reflects this standard in those sizes.



\*"B" dimension includes the floor supports when applicable



Models 792FB, 794FB

Mueller Steam Specialty product specifications in U.S. customary units and metric are approximate and are provided for reference only. For precise measurements, please contact Mueller Steam Specialty Technical Service. Mueller Steam Specialty reserves the right to change or modify product design, construction, specifications, or materials without prior notice and without incurring any obligation to make such changes and modifications on Mueller Steam Specialty products previously or subsequently sold.



A Watts Water Technologies Company

ES-MS-792FB\_794FB 1453

USA: Tel: (800) 334-6259 • Fax: (800) 421-6772 • MuellerSteam.com  
Latin America: Tel: (52) 81-1001-8600 • Fax: (52) 81-8000-7091 • MuellerSteam.com

© 2014 Mueller Steam Specialty