

Models: 792SB, 794SB

Ball-Plex™ Aluminum Bronze Screwed End Duplex Strainers Sizes: 3/4" - 3" (20 - 80mm)

| Pressure / Temperature - Non-Shock | | |
|------------------------------------|----------|-------------------------|
| Model | Material | Rating |
| 792SB | Al-Brz | 200psi @ -20°F to 150°F |
| | | 13.79 bar @ 65.56°C |
| | | 180psi @ 250°F |
| 794SB | Al-Brz | 400psi @ -20°F to 150°F |
| | | 27.58 bar @ 65.56°C |
| | | 395psi @ 250°F |
| | | 25.17 bar @ 121.11°C |

Max. temp. can be limited by gasket and seat material. Consult factory.

792SB **Class 125**
794SB **Class 250**



Models 792SB, 794SB

NOTICE

The information contained herein is not intended to replace the full product installation and safety information available or the experience of a trained product installer. You are required to thoroughly read all installation instructions and product safety information before beginning the installation of this product.

Strainers provide economical protection for costly pumps, meters, valves, and other similar mechanical equipment by straining foreign matter from the connected piping system. Installation of a strainer before mechanical equipment can ensure trouble free service and avoid costly shutdowns for repair or replacement of equipment damaged by foreign matter. The size of the perforation or mesh in the basket screen will determine the smallest particles captured. See Strainer information section of the Mueller Steam Specialty Engineering binder for detailed information including sizes and materials available.

Typical Service

- Duplex Strainers are designed for use in fluid handling systems where the flow cannot be shut down for basket cleaning.
- Typical services include cooling water, compressors, condensers, fire lines, fuel lines, lubrication systems, salt and fresh water systems, chemical process systems, pump suction service, and more.
- Consider strainer body and screen material as well as gasket and seat materials for suitability for particular service.

Features

- Ball-Plex™ Duplex Strainers use 3-way balls as the diverter valves
- Balls are 316SS for corrosion resistance, strength, and resistance to build-up of solids on the balls' surfaces.
- PTFE seats provide bubble-tight sealing, superior to metal seats in other designs. This eliminates potentially dangerous leakage into the chamber being cleaned.
- Two part body casting allows true and easy in-line service
- After removal of the cover and basket, all working parts are easily accessible even with the unit in line.
- The handle covers the pressurized chamber. This prevents accidental opening of the pressurized chamber, and allows easy access to the chamber to be cleaned.

Baskets

- Large open area ratios ensure minimum pressure drop across the unit.
- See Technical Data Section of the Mueller Steam Specialty Engineering binder for Pressure Drop Charts.

| MODEL | SIZES | STANDARD (WATER) | |
|--------------|-----------|------------------|-----------|
| | | MATERIAL | OPENING |
| 792SB, 794SB | 3/4" - 3" | 304SS | .062 perf |

Job Name _____
 Job Location _____
 Engineer _____
 Approval _____

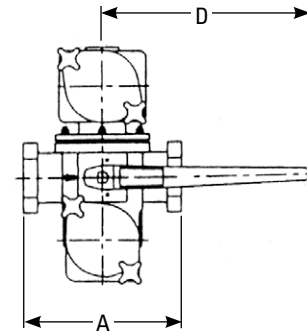
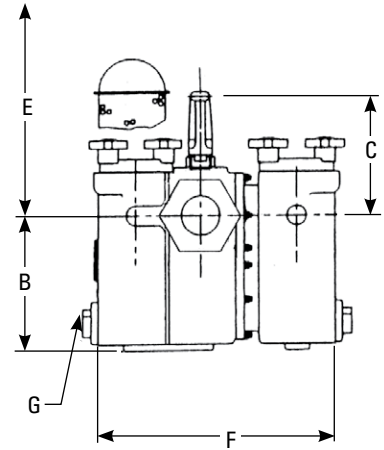
Contractor _____
 Approval _____
 Contractor's P.O. No. _____
 Representative _____

Material

| | 792FB, 794FB |
|-----------|---------------------------|
| Body | Aluminum Bronze ASTM B148 |
| Cover/Cap | Aluminum Bronze ASTM B148 |
| Seats | PTFE |
| O-Rings | Buna-N |

Dimensions and Weights

| SIZE | | DIMENSIONS | | | | | | | | WEIGHT | | | | | | | |
|------|----|------------|-----|---------------------------------|-----|--------------------------------|------------------------|-----|------------|----------------------------------|-----|---------------------------------|------|----|----|-----|-------|
| | A | B | C | | D | | E Screen Removal | F | G (NPT) | | | | | | | | |
| in. | mm | in. | mm | in. | mm | in. | mm | in. | mm | in. | mm | lbs. | kgs. | | | | |
| ¾ | 20 | 5½ | 140 | 4 ¹⁵ / ₁₆ | 125 | 4 ⁵ / ₈ | 118 | 10 | 254 | 7¾ | 197 | 10 ³ / ₁₆ | 259 | ¾ | 20 | 33 | 14.9 |
| 1 | 25 | 5½ | 140 | 4 ¹⁵ / ₁₆ | 125 | 4 ⁵ / ₈ | 118 | 10 | 254 | 7¾ | 197 | 10 ³ / ₁₆ | 259 | ¾ | 20 | 33 | 14.9 |
| 1¼ | 32 | 7½ | 191 | 6¾ | 171 | 4 ³ / ₈ | 111.1 | 10 | 254 | 10 ³ / ₈ | 264 | 12¾ | 324 | 1¼ | 32 | 58 | 26 |
| 1½ | 40 | 7½ | 191 | 6¾ | 171 | 4 ³ / ₈ | 111.1 | 10 | 254 | 10 ³ / ₈ | 264 | 12¾ | 324 | 1¼ | 32 | 57 | 25.8 |
| 2 | 50 | 10 | 254 | 8 ³ / ₁₆ | 208 | 7 ¹ / ₈ | 181 | 20 | 508 | 12 ⁵ / ₈ | 321 | 16 ³ / ₁₆ | 416 | 1¼ | 32 | 113 | 51.2 |
| 2½ | 65 | 11½ | 292 | 12 | 309 | 8 ¹ / ₁₆ | 205 | 20 | 508 | 17 ¹¹ / ₁₆ | 449 | 20 ³ / ₁₆ | 518 | 1½ | 40 | 235 | 106.5 |
| 3 | 80 | 11½ | 292 | 12 | 309 | 8 ¹ / ₁₆ | 205 | 20 | 508 | 17 ¹¹ / ₁₆ | 449 | 20 ³ / ₁₆ | 518 | 1½ | 40 | 235 | 106.5 |



Models 792SB, 794SB

Mueller Steam Specialty product specifications in U.S. customary units and metric are approximate and are provided for reference only. For precise measurements, please contact Mueller Steam Specialty Technical Service. Mueller Steam Specialty reserves the right to change or modify product design, construction, specifications, or materials without prior notice and without incurring any obligation to make such changes and modifications on Mueller Steam Specialty products previously or subsequently sold.



A Watts Water Technologies Company

USA: Tel: (800) 334-6259 • Fax: (800) 421-6772 • MuellerSteam.com

Latin America: Tel: (52) 81-1001-8600 • Fax: (52) 81-8000-7091 • MuellerSteam.com