

Style PB TANK ORDER – DATA SHEET

Job Name _____
 Job Location _____
 Engineer _____
 Approval/Date _____

Contractor _____
 Approval/Date _____
 Contractor's P.O. No. _____
 Representative _____

ALL TANK/SI DRAWINGS MUST BE SIGNED OFF AND ACCOMPANY PO BEFORE PRODUCT WILL BE MANUFACTURED.

Style PB Solids Interceptor Specification

Orion Style PB Solids Interceptor shall be seamless construction manufactured from rotationally molded virgin polyethylene/polypropylene resin with single inlet and outlet heat fused to tank wall. Interceptor basket shall be PP/PE material with 1/8" diameter perforations all around with solid sheet bottom and integral handle to facilitate removal.

Tank Size

MODEL	TANK SIZE	STD INLET & OUTLET	A TANK HEIGHT	B INSIDE DIAMETER	C INLET	D OUTLET	SIZE SELECTION
	gal.	in.	in.	in.	in.	in.	(Please check appropriate box)
SI-5PB	5	2	16	11	6	11	<input type="checkbox"/>
SI-15PB	15	3	15	17	6	11	<input type="checkbox"/>
SI-30PB	30	3	30.5	17.25	8	25	<input type="checkbox"/>
SI-55PB	55	3	33.5	23	8	24	<input type="checkbox"/>

Connection Size / Type (Check one box in each column)				
INLET STYLE	INLET SIZE	OUTLET STYLE	OUTLET SIZE	
Plain End <input type="checkbox"/>	1.5" <input type="checkbox"/>	Plain End <input type="checkbox"/>	1.5" <input type="checkbox"/>	
Female <input type="checkbox"/>	2" <input type="checkbox"/>	Female <input type="checkbox"/>	2" <input type="checkbox"/>	
Male <input type="checkbox"/>	3" <input type="checkbox"/>	Male <input type="checkbox"/>	3" <input type="checkbox"/>	
Flanged End <input type="checkbox"/>	4" <input type="checkbox"/>	Flanged End <input type="checkbox"/>	4" <input type="checkbox"/>	
	6" <input type="checkbox"/>		6" <input type="checkbox"/>	

Optional Cover Size	
1/2" Thick Plastic Top <input type="checkbox"/>	
3/4" Thick Plastic Top <input type="checkbox"/>	
None <input type="checkbox"/>	

Optional Access Port Size			
Cleanouts			
<input type="checkbox"/> 3"	<input type="checkbox"/> 4"	<input type="checkbox"/> 6"	<input type="checkbox"/> None
Gamma Tops			
<input type="checkbox"/> 12" Gamma Top			
<input type="checkbox"/> 16" Gamma Top			
<input type="checkbox"/> None			
Manways			
<input type="checkbox"/> 20" X 1/2"	<input type="checkbox"/> 20" X 3/4"		
<input type="checkbox"/> 24" X 1/2"	<input type="checkbox"/> 20" X 3/4"		
<input type="checkbox"/> None			

Standard Connection Locations

INLET at 9:00 and per C dimension in Tank Size chart at left.

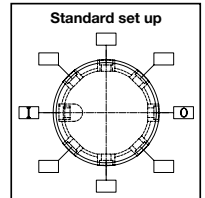
OUTLET at 3:00 and per D dimension in Tank Size chart at left.

If standard locations are desired, check this box.

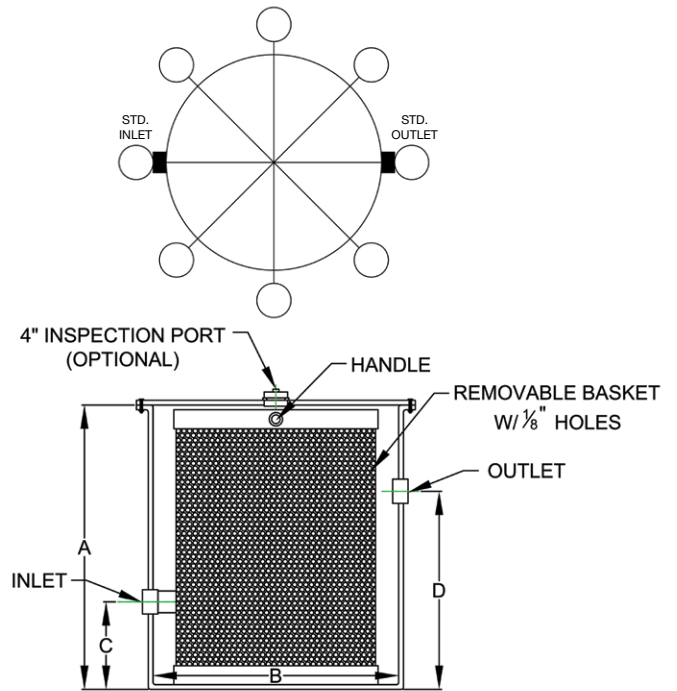
OR

If requirements differ from standard, please indicate clearly on both top and side views illustrated below. Include location of any extra fittings in boxes provided.

If custom locations are desired, check this box.



Mark custom connection locations below



Indicate Dimensions Needed			
A	B	C	D

Please verify all selections with your local Orion rep - tanks are not returnable.

Orion Fittings product specifications in U.S. customary units and metric are approximate and are provided for reference only. For precise measurements, please contact Orion Fittings Technical Service. Orion Fittings reserves the right to change or modify product design, construction, specifications, or materials without prior notice and without incurring any obligation to make such changes and modifications on Orion Fittings products previously or subsequently sold.



A WATTS Brand

USA: Tel: (913) 342-1653 • Fax: (913) 342-7218 • OrionFittings.com
Canada: Tel: (905) 332-4090 • Fax: (905) 332-7068 • OrionFittings.ca
Latin America: Tel: (52) 81-1001-8600 • Fax: (52) 81-8000-7091 • OrionFittings.com