

T10 Tank Order - Submittal Sheet

Job Name _____

Contractor Signature _____

Orion Representative _____

Approval Date _____

Quantity of Tanks _____

Contractor's P.O. No. _____

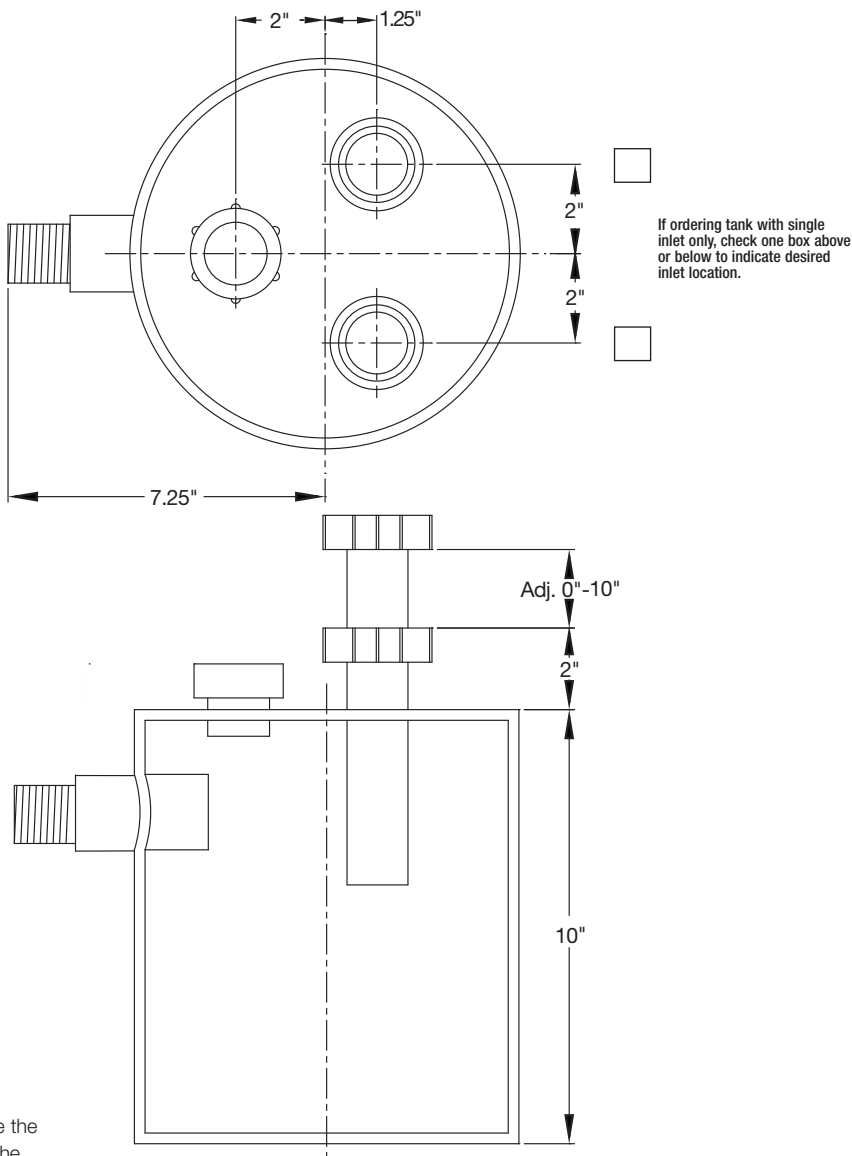
Please e-mail your signed and completed submittal, tank quote and purchase order to oriontanks@wattswater.com.

T10 Point-Of-Use Dilution Tank

Specification

Orion T10 POU 1.5 USG Tank shall be cylindrical seamless, stress and defect free, rotationally molded construction with integral cover to uniform wall thickness from virgin PE resins conforming to ASTM D 1248, with **FIP adjustable inlet(s) with dip tube(s), with single MIP outlet and 2" top cleanout as standard.** All penetrations shall be heat fused to tank wall.

Options (Check one box per column)		
Color	Inlet(s) Qty	Inlet(s) Size
<input type="checkbox"/> Black	<input type="checkbox"/> 1	<input type="checkbox"/> 1 1/2"
<input type="checkbox"/> White	<input type="checkbox"/> 2	<input type="checkbox"/> 2"



Note: Tanks are made to ± 0.25 in. tolerance.

NOTICE

The information contained herein is not intended to replace the full product installation and safety information available or the experience of a trained product installer. You are required to thoroughly read all installation instructions and product safety information before beginning the installation of this product.

Please verify all selections with your local Orion rep - tank products and accessory equipment are non-returnable.

Orion Fittings product specifications in U.S. customary units and metric are approximate and are provided for reference only. For precise measurements, please contact Orion Fittings Technical Service. Orion Fittings reserves the right to change or modify product design, construction, specifications, or materials without prior notice and without incurring any obligation to make such changes and modifications on Orion Fittings products previously or subsequently sold.



USA: T: (800) 334-6259 • OrionFittings.com
Canada: T: (905) 332-4090 • F: (905) 332-7068 • OrionFittings.com
Latin America: T: (52) 81-1001-8600 • OrionFittings.com

A WATTS Brand