

# T13 Tank Order - Submittal Sheet

Job Name \_\_\_\_\_

Contractor Signature \_\_\_\_\_

Orion Representative \_\_\_\_\_

Approval Date \_\_\_\_\_

Quantity of Tanks \_\_\_\_\_

Contractor's P.O. No. \_\_\_\_\_

**Please e-mail your signed and completed submittal, tank quote and purchase order to [oriontanks@wattswater.com](mailto:oriontanks@wattswater.com).**

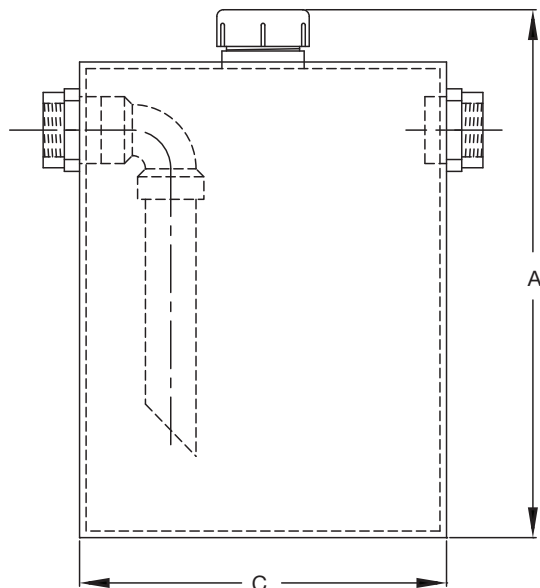
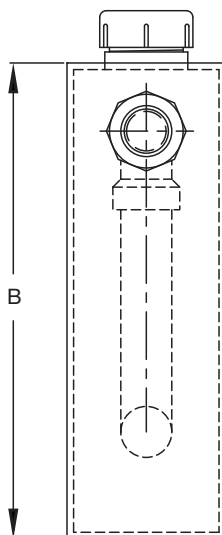
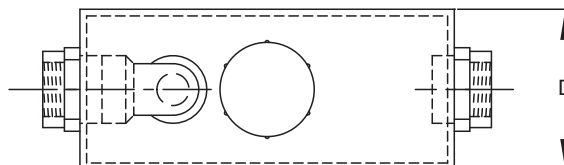
## T13 Point-of-Use Bookshelf Tank

### Specification

Orion T13 POU Bookshelf Tank shall be rectangular seamless, stress and defect free, rotationally molded construction to uniform wall thickness from virgin PE resins conforming to ASTM D 1248, with **single FIP inlet with dip tube, single FIP outlet, and single 3" top threaded cleanout with cap.**

Connection Size	
<input type="checkbox"/>	1 1/2"
<input type="checkbox"/>	2"

Tank Size Gallons					
Check		A	B	C	D
Box	Gallons	In.	In.	In.	In.
<input type="checkbox"/>	3	14.19"	12.00"	12.00"	5.63"
<input type="checkbox"/>	5	20.19"	18.00"	14.00"	6.00"



Note: Tanks are made to ±0.25 in. tolerance.

### NOTICE

The information contained herein is not intended to replace the full product installation and safety information available or the experience of a trained product installer. You are required to thoroughly read all installation instructions and product safety information before beginning the installation of this product.

**Please verify all selections with your local Orion rep - tank products and accessory equipment are non-returnable.**

Orion Fittings product specifications in U.S. customary units and metric are approximate and are provided for reference only. For precise measurements, please contact Orion Fittings Technical Service. Orion Fittings reserves the right to change or modify product design, construction, specifications, or materials without prior notice and without incurring any obligation to make such changes and modifications on Orion Fittings products previously or subsequently sold.



USA: T: (800) 334-6259 • OrionFittings.com  
 Canada: T: (905) 332-4090 • F: (905) 332-7068 • OrionFittings.ca  
 Latin America: T: (52) 81-1001-8600 • OrionFittings.com

**A WATTS Brand**