

T14 Tank Order - Submittal Sheet

Job Name _____

Contractor Signature _____

Orion Representative _____

Approval Date _____

Quantity of Tanks _____

Contractor's P.O. No. _____

Please e-mail your signed and completed submittal, tank quote and purchase order to oriontanks@wattswater.com.

T14 Double Wall Bolted Top Tank

Specification

Orion T14 Double Wall tank shall be cylindrical, seamless, stress and defect free, rotationally molded construction to uniform wall thickness from virgin PE resins conforming to ASTM D 1248, with **single FIP inlet with dip tube, outlet and vent as standard**. All penetrations shall be heat fused to tank walls. Double wall construction shall consist of two nested Orion T5 tanks, sized to allow for a minimum 2" interstitial space, with supporting ribs to center internal tank. **Standard non-load bearing tank covers shall be gasketed and bolted to each tank.**

Tank Size

Selection	Capacity	Dimensions (in.)			Std. In/Out/Vent
	USG	Outer Tank		Cover	
Check One	Inner/Outer	Ht.	Dia.	Dia.	Size (in.)
<input type="checkbox"/>	5/30	30.5	17.25	22.25	2/2/2
<input type="checkbox"/>	15/55	33.5	22.5	27.5	3/3/2
<input type="checkbox"/>	30/55	33.5	22.5	27.5	3/3/2
<input type="checkbox"/>	55/150	48	30	35	3/3/2
<input type="checkbox"/>	100/200	53	36	41	4/4/3
<input type="checkbox"/>	150/200	53	36	41	4/4/3
<input type="checkbox"/>	180/360	48	48	53	4/4/3
<input type="checkbox"/>	200/500	60	52	57	4/4/3
<input type="checkbox"/>	275/600	84	48	53	4/4/3
<input type="checkbox"/>	360/1200	84	69	74	4/4/3
<input type="checkbox"/>	500/1200	84	69	74	4/4/3
<input type="checkbox"/>	600/1200	84	69	74	4/4/3

Connection, Cover, Support & Access Options

<input type="checkbox"/> Optional No Hub Connections (FIP Std)	<input type="checkbox"/> 4" Cleanout Access
<input type="checkbox"/> Optional Flanged Connections (FIP Std)	<input type="checkbox"/> 6" Cleanout Access
<input type="checkbox"/> 3/4" Plastic Cover	<input type="checkbox"/> 12" Gamma Top Access
<input type="checkbox"/> 1/8" Steel x 3/4" Plastic Cover	<input type="checkbox"/> 16" Gamma Top Access
<input type="checkbox"/> 1/4" Steel x 3/4" Plastic Cover	<input type="checkbox"/> 20" x 1/2" Bolted Access
<input type="checkbox"/> Tank Anchor Flange	<input type="checkbox"/> 20" x 3/4" Bolted Access
<input type="checkbox"/> Reinforcing Anchor Flange	<input type="checkbox"/> 24" x 1/2" Bolted Access
<input type="checkbox"/> Fiberglass Wrap*	<input type="checkbox"/> 24" x 3/4" Bolted Access

NOTICE

The information contained herein is not intended to replace the full product installation and safety information available or the experience of a trained product installer. You are required to thoroughly read all installation instructions and product safety information before beginning the installation of this product.

Orion Fittings product specifications in U.S. customary units and metric are approximate and are provided for reference only. For precise measurements, please contact Orion Fittings Technical Service. Orion Fittings reserves the right to change or modify product design, construction, specifications, or materials without prior notice and without incurring any obligation to make such changes and modifications on Orion Fittings products previously or subsequently sold.

USA: T: (800) 334-6259 • OrionFittings.com

Canada: T: (905) 332-4090 • F: (905) 332-7068 • OrionFittings.ca

Latin America: T: (52) 81-1001-8600 • OrionFittings.com

ES-OR-T14 1831

Connection Locations/Sizes

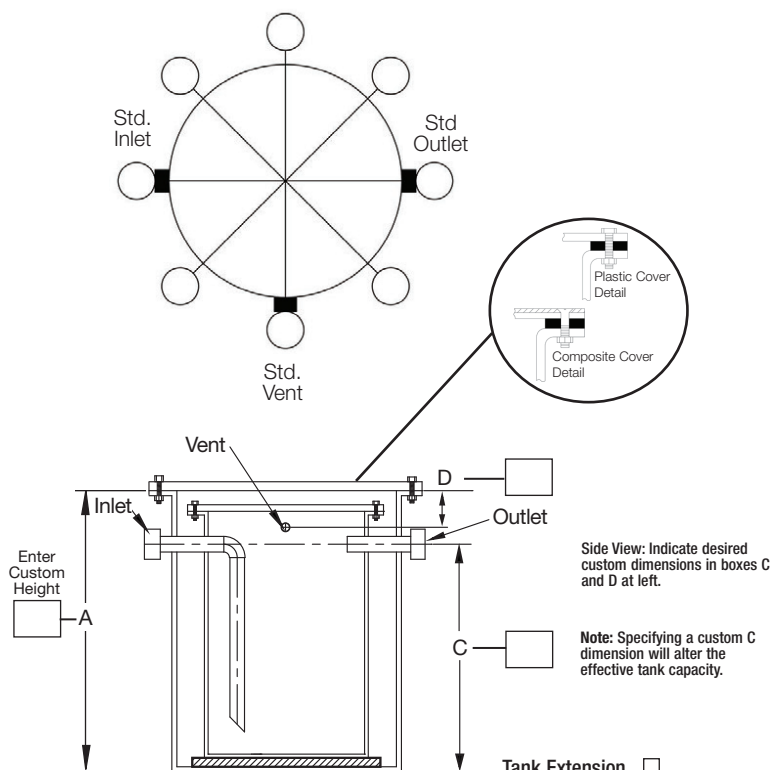
Custom Locations:

Indicate desired locations in the small circles of the top-view diagram below.
I-Inlet O-Outlet V-Vent

Custom Sizes:

Indicate 2", 3", 4", or 6" in corresponding connection-type box.

Inlet Outlet Vent



Note: Tanks are made to ±0.25 in. tolerance.

Please verify all selections with your local Orion rep - tank products and accessory equipment are non-returnable.

* **CALIFORNIA PROP 65 WARNING:** This product can expose you to chemicals including benzene which is known to the State of California to cause cancer and birth defects or other reproductive harm. For more information go to www.P65Warnings.ca.gov.



A WATTS Brand