

# T16 Tank Order - Submittal Sheet

Job Name \_\_\_\_\_  
 Job Location \_\_\_\_\_  
 Orion Representative \_\_\_\_\_

Contractor Signature \_\_\_\_\_  
 Approval Date \_\_\_\_\_  
 Contractor's P.O. No. \_\_\_\_\_

**All Tank Drawings Must Be Signed Off And Accompany PO Before Product Will Be Manufactured.**

## T16 Bolted Top Sampling Tank

### Specification

Orion T16 sampling tank shall be **5 USG, 11" diameter x 16.25" height**, cylindrical, seamless, stress and defect free, rotationally molded construction to uniform wall thickness from virgin PE resins conforming to ASTM D 1248, with **single FIP inlet and outlet as standard**. All penetrations shall be heat fused to tank wall. **Non-load bearing flat cover shall be bolted and gasketed to tank** and shall have centrally located NeutraGuard pH probe insertion assembly.

### Connection Locations/Sizes

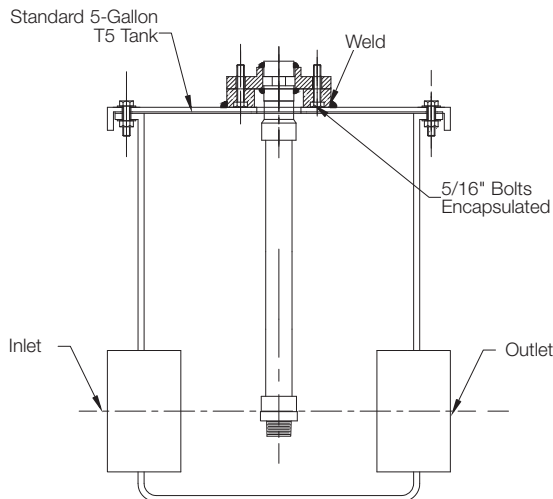
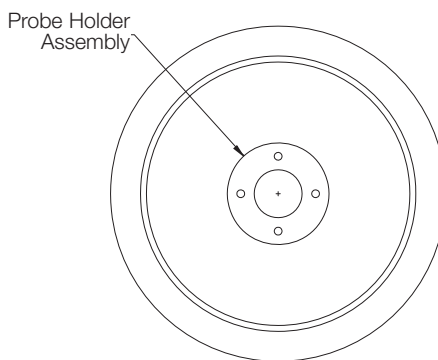
- Standard Locations:**  
 Inlet-at 9:00.  
 Outlet-at 3:00.
- Available Sizes:**  
 Indicate 2", 3", 4", or 6" in corresponding connection-type box.

Inlet  Outlet

| Connection, Cover & Support Options |                                 |
|-------------------------------------|---------------------------------|
| <input type="checkbox"/>            | No Hub Connections              |
| <input type="checkbox"/>            | Flanged Connections             |
| <input type="checkbox"/>            | 3/4" Plastic Cover              |
| <input type="checkbox"/>            | 1/8" Steel x 3/4" Plastic Cover |
| <input type="checkbox"/>            | 1/4" Steel x 3/4" Plastic Cover |
| <input type="checkbox"/>            | Tank Anchor Flange              |
| <input type="checkbox"/>            | Reinforcing Anchor Flange       |
| <input type="checkbox"/>            | Fiberglass Wrap*                |

### Tank Extension

If required height exceeds standard height (16.25") an extension will be required. Please consult Orion Technical Support.



**Note:** Tanks are made to ±0.25 in. tolerance.

**Please verify all selections with your local Orion rep - tank products and accessory equipment are non-returnable.**

**\* CALIFORNIA PROP 65 WARNING:** This product can expose you to chemicals including benzene which is known to the State of California to cause cancer and birth defects or other reproductive harm. **For more information go to [www.P65Warnings.ca.gov](http://www.P65Warnings.ca.gov).**

### NOTICE

The information contained herein is not intended to replace the full product installation and safety information available or the experience of a trained product installer. You are required to thoroughly read all installation instructions and product safety information before beginning the installation of this product.

Orion Fittings product specifications in U.S. customary units and metric are approximate and are provided for reference only. For precise measurements, please contact Orion Fittings Technical Service. Orion Fittings reserves the right to change or modify product design, construction, specifications, or materials without prior notice and without incurring any obligation to make such changes and modifications on Orion Fittings products previously or subsequently sold.



**A WATTS Brand**

**USA:** T: (800) 334-6259 • OrionFittings.com  
**Canada:** T: (905) 332-4090 • F: (905) 332-7068 • OrionFittings.ca  
**Latin America:** T: (52) 81-1001-8600 • OrionFittings.com