

T5 Tank Order - Submittal Sheet

Job Name _____
 Job Location _____
 Orion Representative _____

Contractor Signature _____
 Approval Date _____
 Contractor's P.O. No. _____

All Tank Drawings Must Be Signed Off And Accompany PO Before Product Will Be Manufactured.

T5 Cylindrical Bolted Top Tank

Specification

Orion T5 tank shall be cylindrical, seamless, stress and defect free, rotationally molded construction to uniform wall thickness from virgin PE resins conforming to ASTM D 1248, with **single FIP inlet with dip tube, outlet and vent as standard**. All penetrations shall be heat fused to tank wall. **Standard, non-load bearing, domed tank cover shall be bolted and gasketed to tank.**

Tank Size

Selection	Capacity USG	Dimensions (in.)			Std. In/Out/Vent Size (in.)
Check One	Empty/Effective	Ht. (A)	Dia. (B)	Cover Dia.	
<input type="checkbox"/>	5/2	16.25	11	16	2/2/2
<input type="checkbox"/>	15/5	15.5	17.25	22.25	3/3/2
<input type="checkbox"/>	30/10	30.5	17.25	22.25	3/3/2
<input type="checkbox"/>	55/18	33.5	22.5	27.5	3/3/2
<input type="checkbox"/>	100/33	49	24	29	4/4/3
<input type="checkbox"/>	150/50	48	30	35	4/4/3
<input type="checkbox"/>	180/60	42	36	41	4/4/3
<input type="checkbox"/>	200/66	53	36	41	4/4/3
<input type="checkbox"/>	275/90	48	42	47	4/4/3
<input type="checkbox"/>	360/120	48	48	53	4/4/3
<input type="checkbox"/>	500/165	60	52	57	4/4/3
<input type="checkbox"/>	600/200	84	48	53	4/4/3
<input type="checkbox"/>	1200/400	84	69	74	4/4/3

Connection, Cover, Support & Access Options

<input type="checkbox"/>	No Hub Connections	<input type="checkbox"/>	4" Cleanout Access
<input type="checkbox"/>	Flanged Connections	<input type="checkbox"/>	6" Cleanout Access
<input type="checkbox"/>	3/4" Plastic Cover	<input type="checkbox"/>	12" Gamma Top Access
<input type="checkbox"/>	1/8" Steel x 3/4" Plastic Cover	<input type="checkbox"/>	16" Gamma Top Access
<input type="checkbox"/>	1/4" Steel x 3/4" Plastic Cover	<input type="checkbox"/>	20" x 1/2" Bolted Access
<input type="checkbox"/>	Tank Anchor Flange	<input type="checkbox"/>	20" x 3/4" Bolted Access
<input type="checkbox"/>	Reinforcing Anchor Flange	<input type="checkbox"/>	24" x 1/2" Bolted Access
<input type="checkbox"/>	Fiberglass Wrap	<input type="checkbox"/>	24" x 3/4" Bolted Access

Connection Locations/Sizes

Standard Locations:

Inlet-at 9:00 and centered 5" down from the top of the tank rim
 Outlet-at 3:00 and centered 5" down from the top of the tank rim
 Vent-at 6:00 & centered 4" down from top of tank rim

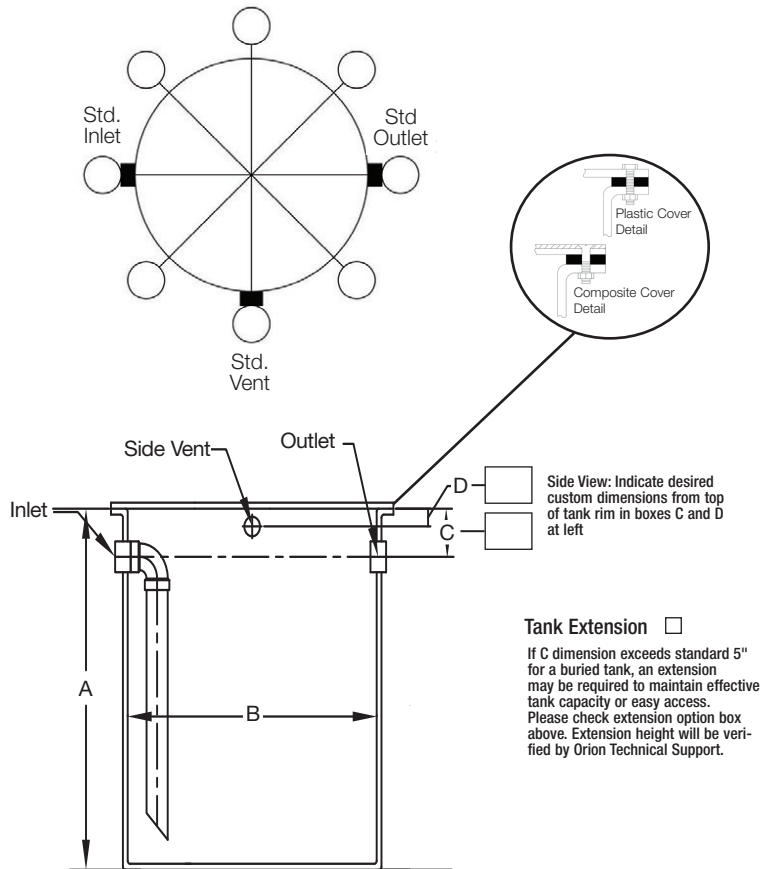
Custom locations:

Indicate desired locations in the small circles of the top-view diagram below.
 I-Inlet O-Outlet V-Vent

Custom Sizes:

Indicate 2", 3", 4", or 6" in corresponding connection-type box.

Inlet Outlet Vent



NOTICE

The information contained herein is not intended to replace the full product installation and safety information available or the experience of a trained product installer. You are required to thoroughly read all installation instructions and product safety information before beginning the installation of this product.

Note: Tanks are made to ±0.25 in. tolerance.

Please verify all selections with your local Orion rep - tank products and accessory equipment are non-returnable.

Orion Fittings product specifications in U.S. customary units and metric are approximate and are provided for reference only. For precise measurements, please contact Orion Fittings Technical Service. Orion Fittings reserves the right to change or modify product design, construction, specifications, or materials without prior notice and without incurring any obligation to make such changes and modifications on Orion Fittings products previously or subsequently sold.



A WATTS Brand

USA: T: (800) 334-6259 • OrionFittings.com
Canada: T: (905) 332-4090 • F: (905) 332-7068 • OrionFittings.ca
Latin America: T: (52) 81-1001-8600 • OrionFittings.com