

**For Non-Health Hazard Applications**

Job Name \_\_\_\_\_

Contractor \_\_\_\_\_

Job Location \_\_\_\_\_

Approval \_\_\_\_\_

Engineer \_\_\_\_\_

Contractor's P.O. No. \_\_\_\_\_

Approval \_\_\_\_\_

Representative \_\_\_\_\_

**LEAD FREE\***

**Hand Showers**

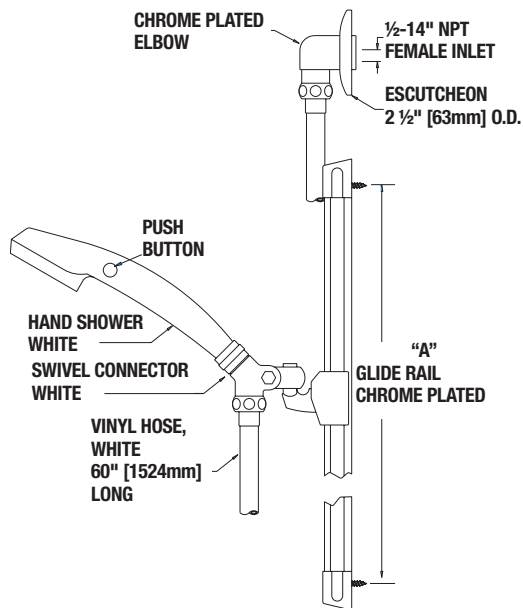
**Part No. 141-318 & 141-921**

**Specifications**

Description .....	Hand Shower with Push Button and Glide Rail
Finish .....	See drawing
Agency/Spec Approval .....	ANSI A112.18.1M CSA B125
Maximum Flow .....	2.5 gpm @ 80 psi (9.5 l/min @ 550 kPa)
Shipping Weight .....	141-318 — 2.3 lbs. (1.0 kg.) 141-921 — 2.7 lbs. (1.2 kg.)



**Dimensions**



**Indicate Desired Fitting**

3	Part Number	Type	A
<input type="checkbox"/>	141-318	7	23-1/8" (587mm), 24" Glide Rail
<input type="checkbox"/>	141-921	4	29-1/8" (740mm), 30" Glide Rail

\* The wetted surface of this product contacted by consumable water contains less than one quarter of one percent (0.25%) of lead by weight.

Powers product specifications in U.S. customary units and metric are approximate and are provided for reference only. For precise measurements, please contact Powers Technical Service. Powers reserves the right to change or modify product design, construction, specifications, or materials without prior notice and without incurring any obligation to make such changes and modifications on Powers products previously or subsequently sold.

**POWERS™**

**A WATTS Brand**

**USA:** Tel: (800) 669-5430 • Fax: (847) 229-0526 • PowersControls.com  
**Canada:** Tel: (905) 332-4090 • Fax: (905) 332-7068 • PowersControls.ca  
**Latin America:** Tel: (52) 81-1001-8600 • PowersControls.com