

For Non-Health Hazard Applications

Job Name _____

Contractor _____

Job Location _____

Approval _____

Engineer _____

Contractor's P.O. No. _____

Approval _____

Representative _____

Showerhead
Part No. 141-381

Specifications

Description Vandal-Resistant Wall mounted,
30° Fixed head with
Threaded/Sweat Connection

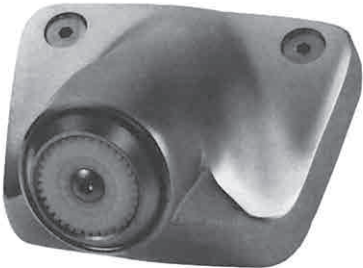
Material Brass

Finish Polished Chrome

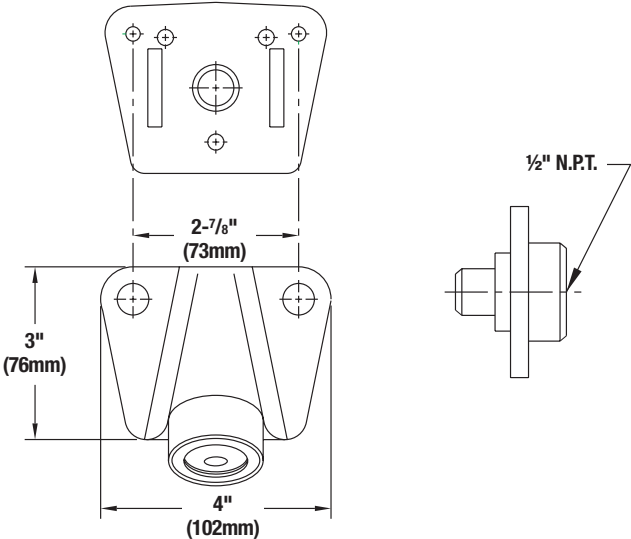
Agency/Spec Approval ANSI A112.18.1M
CSA B125

Maximum Flow 2.5 gpm @ 80 psi (9.5 l/min @550 kPa)

Shipping Weight 3.1 lb (1.4 kg)



Dimensions



Powers product specifications in U.S. customary units and metric are approximate and are provided for reference only. For precise measurements, please contact Powers Technical Service. Powers reserves the right to change or modify product design, construction, specifications, or materials without prior notice and without incurring any obligation to make such changes and modifications on Powers products previously or subsequently sold.

POWERS™

A WATTS Brand

USA: Tel: (800) 669-5430 • Fax: (847) 229-0526 • PowersControls.com
Canada: Tel: (905) 332-4090 • Fax: (905) 332-7068 • PowersControls.ca
Latin America: Tel: (52) 81-1001-8600 • PowersControls.com