

For Non-Health Hazard Applications

Job Name _____ Contractor _____
 Job Location _____ Approval _____
 Engineer _____ Contractor's P.O. No. _____
 Approval _____ Representative _____

Showerhead

Part No. 141-903A, 141-903B

Specifications

Description Ball Joint Showerhead with Wall Bracket and Anchor Plate, Adjustable Spray

Material Brass

Finish Polished Chrome

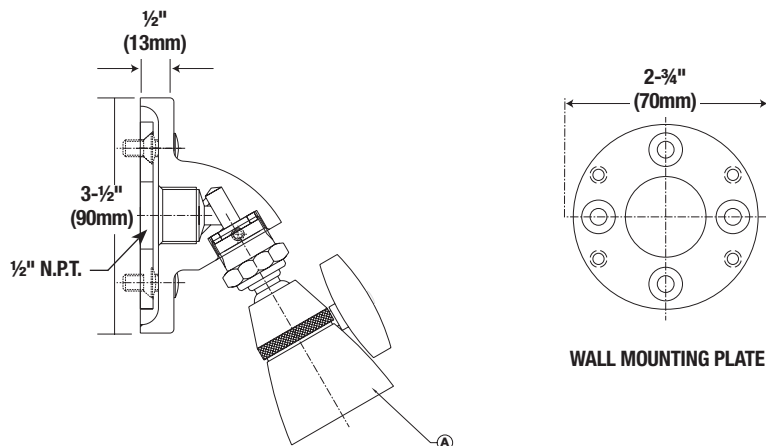
Agency/Spec Approval ANSI A112.18.1M
 CSA B125

Maximum Flow 2.5 gpm @ 80 psi (9.5 l/min @550 kPa)

Shipping Weight 141-903A — 3.0 lb (1.4 kg)
 141-903B — 3.2 lb (1.5 kg)



Dimensions



Indicate Desired Fitting

3	Part Number	A	Diameter
<input type="checkbox"/>	141-903A	141-378	1-3/4"
<input type="checkbox"/>	141-903B	141-379	2-1/4"

Powers product specifications in U.S. customary units and metric are approximate and are provided for reference only. For precise measurements, please contact Powers Technical Service. Powers reserves the right to change or modify product design, construction, specifications, or materials without prior notice and without incurring any obligation to make such changes and modifications on Powers products previously or subsequently sold.

USA: Tel: (800) 669-5430 • Fax: (847) 229-0526 • PowersControls.com
Canada: Tel: (905) 332-4090 • Fax: (905) 332-7068 • PowersControls.ca
Latin America: Tel: (52) 81-1001-8600 • PowersControls.com

POWERS™
 A WATTS Brand