

For Non-Health Hazard Applications

Job Name _____

Contractor _____

Job Location _____

Approval _____

Engineer _____

Contractor's P.O. No. _____

Approval _____

Representative _____

Remodeling Plate

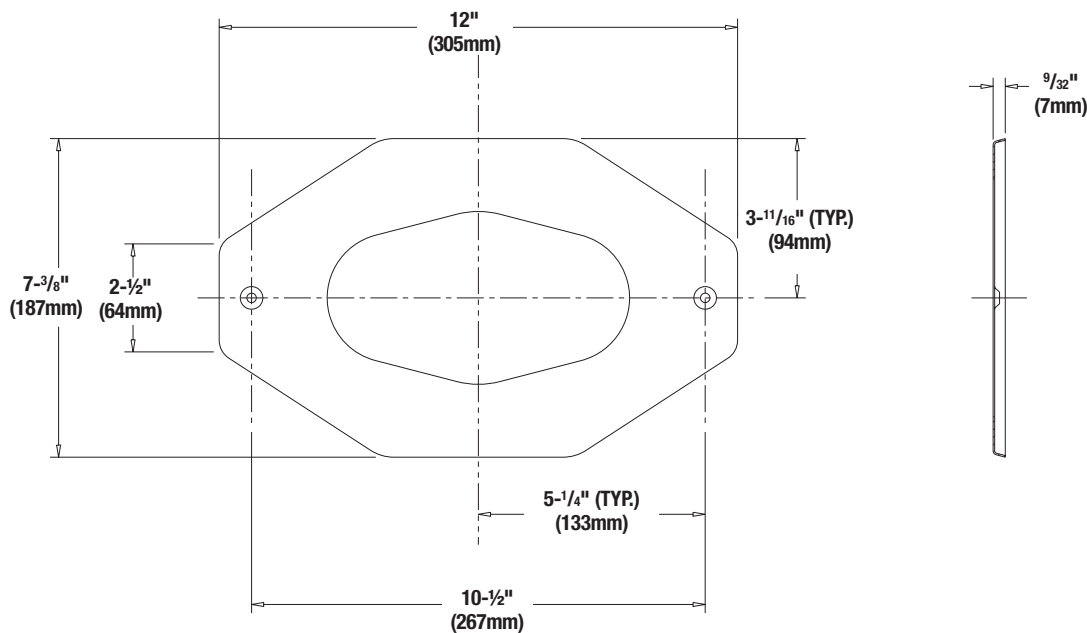
Part No. 420-239

Specifications

Description Remodeling Plate for e420 Valve
 Material Stainless Steel
 Finish Polished
 Shipping Weight 1.0 lb. (0.5 kg.)



Dimensions



Powers product specifications in U.S. customary units and metric are approximate and are provided for reference only. For precise measurements, please contact Powers Technical Service. Powers reserves the right to change or modify product design, construction, specifications, or materials without prior notice and without incurring any obligation to make such changes and modifications on Powers products previously or subsequently sold.

POWERS™

A WATTS Brand

USA: Tel: (800) 669-5430 • Fax: (847) 229-0526 • PowersControls.com

Canada: Tel: (905) 332-4090 • Fax: (905) 332-7068 • PowersControls.ca

Latin America: Tel: (52) 81-1001-8600 • PowersControls.com