

For Non-Health Hazard Applications

Job Name _____

Contractor _____

Job Location _____

Approval _____

Engineer _____

Contractor's P.O. No. _____

Approval _____

Representative _____

HydroPanel®II Shower System with HydroGuard® e420 Thermostatic Valve

Description

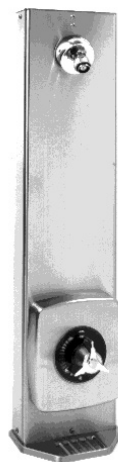
The Powers HydroPanel®II Series 450-4200 Shower System combines HydroGuard® T/PTM water control with the convenience of modular shrouding. HydroPanel®II stainless steel shrouding provides a concealed shower system where in-wall piping does not exist or may not be practical. The single unit shower mounts easily onto preassembled copper tubing with just three screws.

Behind the shroud, a HydroGuard® 420 valve uses a thermal actuator to provide tempered water and adjust to supply water variances. The powerful thermal actuator quickly senses any change in hot or cold supply pressure or temperature and responds to maintain the user-selected temperatures. The motor will also shut off the hot water if the cold water supply pressure fails.

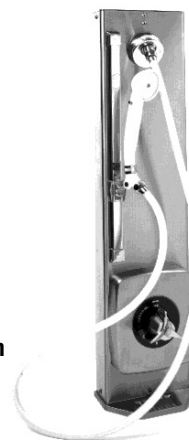
HydroPanel®II units can be used for new or retrofit applications, such as single showers or for complete shower rooms. They are ideal in schools, health clubs, factories, and remodeled older buildings. Optional hand-held showers mounted on vertical glide rails provide easy shower access for users with limited mobility. Optional HydroPanel®II Modular Shrouding provides easy to install, interlocking stainless steel panels to conceal all exposed room piping.

Features

- Installation requires minimal hardware: mount the brackets, connect the supply piping and hang the shrouding.
- All exposed surfaces are easy to clean brushed stainless steel or chrome plated.
- Construction includes a concealed handle rotation stop to guard against over adjustment of the handle.
- Single handle control and color coded dial offer quick and easy temperature selection.
- Fixed (vandal resistant) and swivel showerheads are available.
- Optional hand-held shower with flexible hoses mount on 18"(457mm) glide rails for use in special applications.
- Optional HydroPanel®II Modular Shrouding offers convenient configuration of horizontal and vertical panel to cover all exposed shower room piping. See ES-P-450SH for detail on HydroPanel®II Modular Shrouding.
- All HydroPanel®II units with HydroGuard® 420 valves include a one year limited warranty.
- HydroGuard® 420 valves meet the requirements of ANSI 112.18M and ASSE 1016 standards and are CSA certified.



**HydroPanel®II
Model 450-4202
with Swivel Showerhead
and Soap Dish (available
with ADA compliant
lever handle)
Model 450-4212).**



**HydroPanel®II
Model 450-4204
with Handshower
Assembly and Soap Dish
(available with ADA
compliant lever handle,
Model 450-4214).**

Specifications

HydroPanel®II: Brushed 18 Gauge 304 SS. Dimensions 31 1/8"H x 7 1/2"W x 6 1/2"D (791mm H x 191mm W x 165mm D).

Piping: 1/2"(15mm) copper tubing.

Showerhead: Fixed: Chrome plated brass, maximum flow 2.5 gpm @ 80 psi (.16 l/s @ 552 kPa). Adjustable Swivel: Chrome plated brass, 30° angle of rotation, maximum flow 2.5 gpm @ 80 psi (.16 l/s @ 552 kPa).

Valve Assembly and Trim: HydroGuard® e420 Thermostatic Mixing Valve. Three port, heavy cast bronze body with brass stem. Standard in line checkstops. Concealed handle rotation stop. Chrome plated zinc tri-handle, or ADA compliant lever handle.

Connections: 1/2"(15mm) NPT inlets and outlet.

Valve Operation: 5.25 gpm ± .25 @ 45 psi DP 50/50 mix. Maximum pressure 125 psi (862 kPa). Maximum inlet temperature 190°F (88°C).

Hand Shower: Full spray with pushbutton water control. Minimum flow 2.0 gpm @ 20 psi (.13 l/s @ 138 kPa). Maximum flow 2.5 gpm @ 80 psi (.16 l/s @ 138 kPa). 60" (1499mm) reinforced vinyl hose with 1/2" (15mm) chrome finished supply connections. 18" (457mm) chrome finished brass glide bar, self-tensioned for easy height adjustment.

Powers product specifications in U.S. customary units and metric are approximate and are provided for reference only. For precise measurements, please contact Powers Technical Service. Powers reserves the right to change or modify product design, construction, specifications, or materials without prior notice and without incurring any obligation to make such changes and modifications on Powers products previously or subsequently sold.

POWERS™
A WATTS Brand

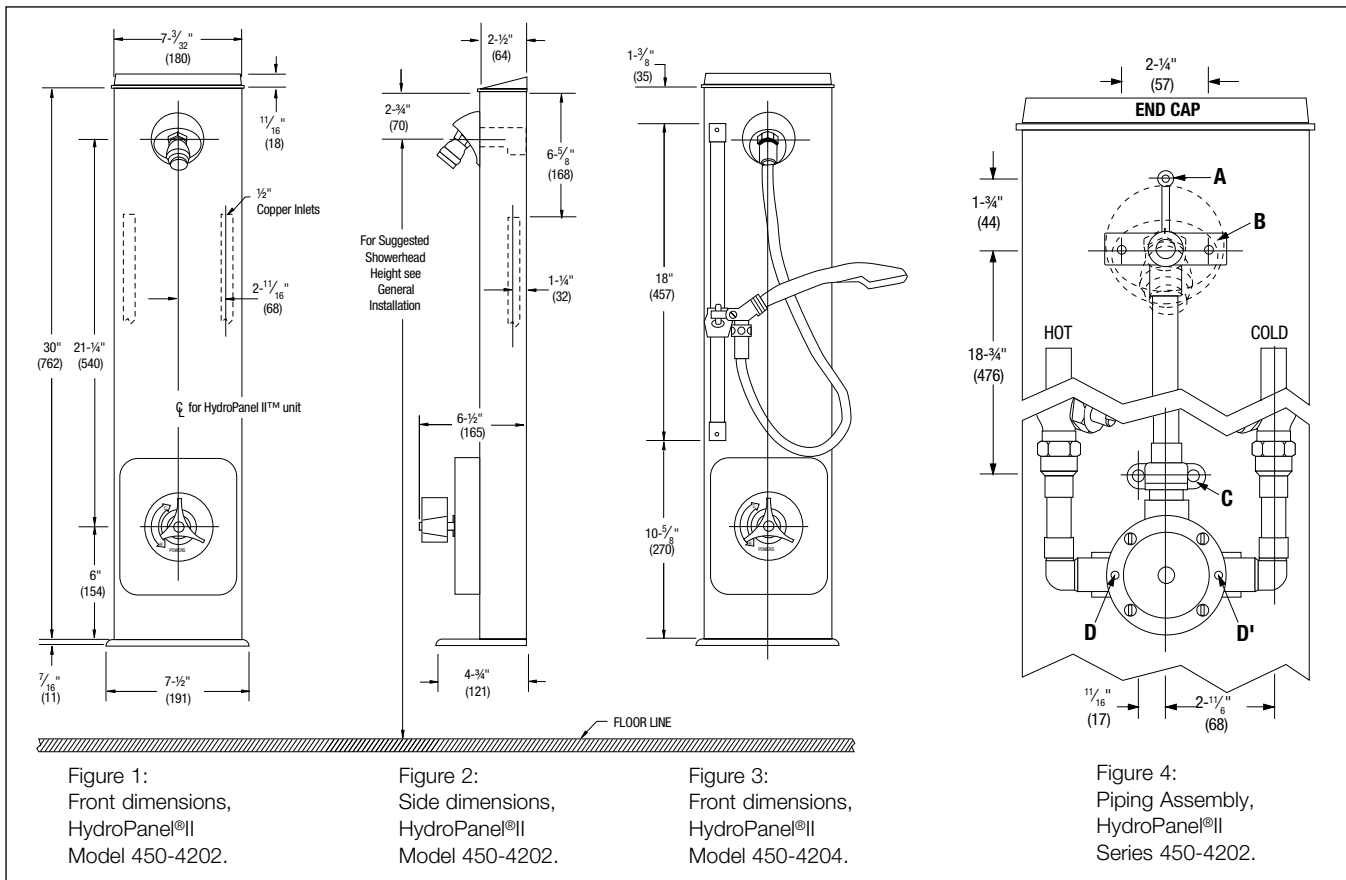
General Installation

The recommended minimum distance between the centerline of two HydroPanel®II units is 36 inches (914mm). Position units evenly between inlet supply piping.

Suggested showerhead heights (if not shown in architectural plans for shower room) are:

Men — 77" (1956mm) Youth — 66" (1676mm)

Women — 70" (1778mm) Youth — 60" (1524mm)



Ordering Information

HydroPanel®II with HydroGuard® 420 Thermostatic Valve with Metal Lever Handle

Order Code

- HydroPanel®II with Fixed Showerhead and Soap Dish **450-4210**
- HydroPanel®II with Fixed Showerhead, less Soap Dish **450-4211**
- HydroPanel®II with Swivel Showerhead and Soap Dish **450-4212**
- HydroPanel®II with Swivel Showerhead, less Soap Dish **450-4213**
- HydroPanel®II with Hand Shower and Soap Dish **450-4214**
- HydroPanel®II with Hand Shower, less Soap Dish **450-4215**

POWERS™

A WATTS Brand

USA: Tel: (800) 669-5430 • Fax: (847) 229-0526 • PowersControls.com
 Canada: Tel: (905) 332-4090 • Fax: (905) 332-7068 • PowersControls.ca
 Latin America: Tel: (52) 81-1001-8600 • PowersControls.com