

**Pressure-Balancing Tempering Valve with LCD Temperature Display**

**Product Specification**

Model C473 (°C readout) or Model F473 (°F readout)

**Description ■**

Concealed, tub and shower or shower only pressure balancing mixer with battery operated, LCD® temperature display for use in shower applications. Features a single AAA alkaline battery for up to four years of continuous life. Rugged, brass valve body construction with diaphragm-type pressure balancing mechanism. Cartridge components manufactured of Celcon® to resist lime buildup and corrosion. Adjustable handle rotation stop reduces risk of handle overadjustment. Opens in cold water position to maximize bather safety. Battery and temperature display are housed in an easy-access, watertight enclosure.

**Valve trim features:**

- Ergonomically-designed, chrome-plated, metal-cast faceplate and handle
- ADA-compliant handle operation 

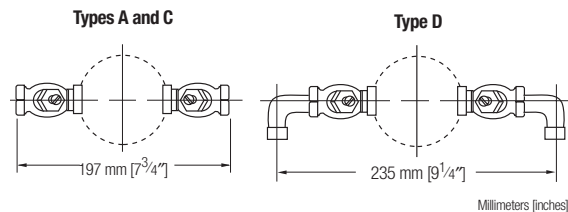
**Specifications ■**

Connections .....	1/2" NPT inlets and 1/2" sweat outlets
Battery .....	Single AAA alkaline
Temperature Display .....	13 mm [1/2"] LCD readout (factory set for either °C or °F; accurate to 1/10 of a degree)
Temperature Range .....	-50-70°C [-58-158°F]
Capacity .....	22 L/min @ 310 kPa [6.0 gpm @ 45 psi differential] (±1.9 L/min [±0.5 gpm])
Maximum Inlet Temperature .....	82°C [180°F]
Maximum Operating Pressure .....	862 kPa [125 psig]
Handle Rotation Stop .....	Standard and adjustable
Wall Seal Gasket .....	Supplied with valve
Agency Approvals .....	Meets requirements of ASSE 1016 CSA approved, ADA-compliant handle
Shipping Weight .....	2.1 kg [4.7 lbs.]



Model F473 shown

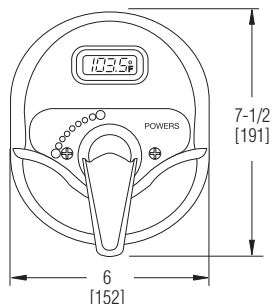
**Checkstop Dimensions ■**



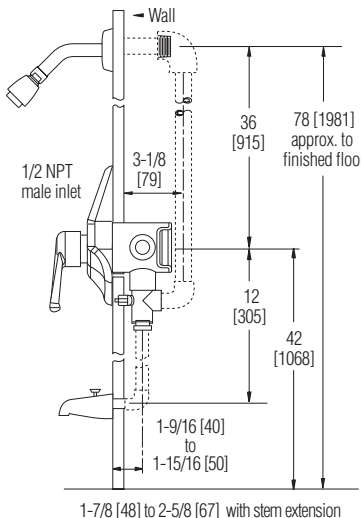
See reverse for complete specification code of valve and accessories.

**Dimensions ■**

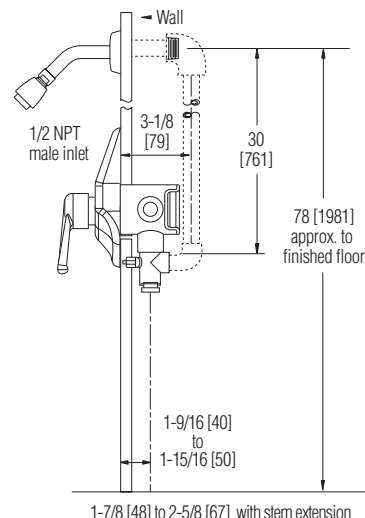
**Front View**



**Tub and Shower Installation**



**Shower Only Installation**



All dotted line piping supplied by others.  
Celcon is a registered trademark of Hoechst Celanese Corporation.

