

**For Non-Health Hazard Applications**

Job Name \_\_\_\_\_ Contractor \_\_\_\_\_  
 Job Location \_\_\_\_\_ Approval \_\_\_\_\_  
 Engineer \_\_\_\_\_ Contractor's P.O. No. \_\_\_\_\_  
 Approval \_\_\_\_\_ Representative \_\_\_\_\_

# HydroGuard® XP Series Emergency Tempering

## With Cold Water Bypass



### Features

- Powers' Advanced Thermal Actuator provides precise temperature control
- Exclusive internal cold water bypass ensures cold water flow in the event of loss of hot water
- Flow effectively shuts down upon loss of cold water supply when tested under the condition specified in ASSE 1071 standard
- Vandal-resistant locking mechanism to secure temperature setting
- Factory tested
- Rough bronze and chrome finishes
- Checkstops to prevent cross flow



US Patent 6,575,377

### Specifications

Connections	1/2" (15mm) NPT inlets and outlet
Maximum Operating Pressure	125 psi (861 kPa)
Maximum Hot Water Temperature	180°F (82°C)
Temperature Adjustment Range	60 – 95°F (15 – 35°C)
Factory Set Temperature*	85°F (29°C)
Bypass Flow Rate at 30 psid*	6.5 gpm (25 lpm)
Maximum Flow with Cold Water Shutoff*	0.5 gpm (1.9 lpm)
Listing	ASSE 1071 and IAPMO UPC

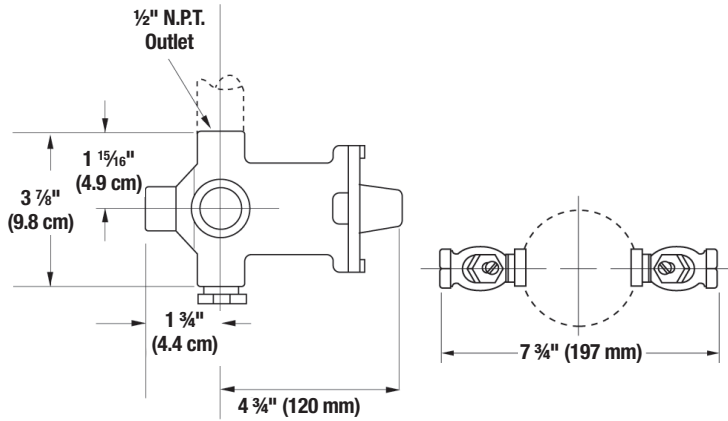
\* When tested under conditions specified in ASSE 1071 Standard

### Capacity

Flow Capacity at 85°F (29.4°C)									
Model	Min. Flow to ASSE 1071	C <sub>v</sub>	Pressure Drop Across Valve						
			5 psi (34 kPa)	10 psi (69 kPa)	15 psi (103 kPa)	20 psi (138 kPa)	30 psi (207 kPa)	45 psi (310 kPa)	60 psi (414 kPa)
ES150	1.0 gpm 3.8 lpm	1.59	3.6 gpm 13.6 lpm	5.0 gpm 18.9 lpm	6.2 gpm 23.5 lpm	7.1 gpm 26.9 lpm	8.7 gpm 32.9 lpm	10.7 gpm 40.5 lpm	12.3 gpm 46.6 lpm

Powers product specifications in U.S. customary units and metric are approximate and are provided for reference only. For precise measurements, please contact Powers Technical Service. Powers reserves the right to change or modify product design, construction, specifications, or materials without prior notice and without incurring any obligation to make such changes and modifications on Powers products previously or subsequently sold.

## Dimensions



## Ordering Information

**E S 1 5 0**

### Order Code

#### Finish

Rough Bronze 1  
 Chrome Plated 2

#### Temperature/Pressure Gauge on Outlet

None 0  
 For rough bronze 1  
 For chrome plated 2

## Recirculating Piping Diagram

Please see Piping Diagram Section of the Powers Full Line Catalog.

## Typical Specification

Thermostatic mixing valve for supplying tepid water to emergency fixtures shall feature internal cold-water bypass system to ensure flow in the event of valve failure or loss of hot water supply. The valve shall be listed to ASSE 1071 and IAPMO UPC provide precise temperature control over a wide range of flow conditions, and effectively shut down on loss of cold water. The valve shall feature powerful paraffin-based actuation technology and checkstops to prevent cross flow. The valve shall be factory set to 85°F (29°C) with a lockable mean of securing the temperature.

The valve shall be Powers' model ES150 \_ \_.

# POWERS™

A WATTS Brand

USA: Tel: (800) 669-5430 • Fax: (847) 229-0526 • PowersControls.com  
 Canada: Tel: (905) 332-4090 • Fax: (905) 332-7068 • PowersControls.ca  
 Latin America: Tel: (52) 81-1001-8600 • PowersControls.com