


**For Non-Health Hazard Applications**

Job Name \_\_\_\_\_ Contractor \_\_\_\_\_  
 Job Location \_\_\_\_\_ Approval \_\_\_\_\_  
 Engineer \_\_\_\_\_ Contractor's P.O. No. \_\_\_\_\_  
 Approval \_\_\_\_\_ Representative \_\_\_\_\_

# Single Shank Lavatory Metering Faucet w/ 4" Cover Plate

## Fitting No. P1815

### Specifications

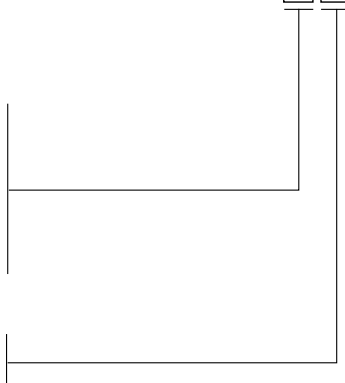
Product ..... Single Shank Lavatory Metering  
 Faucet w/ 4" Cover Plate  
 Finish ..... Polished Chrome  
 Agency/Spec Approvals:  
 • ANSI A112.18.1M  
 • CSA B125  
 • ADA-compliance where noted on drawing   
 Maximum Flow Rates ..... 2.0 gpm at 60 psi  
 (7.6 L/min. at 410 kPa)  
 Maximum Operating Pressure Rating ..... 125 psi (860 kPa)  
 Maximum Operating Temperature Rating ..... 150°F (65°C)  
 Approximate Shipping Weight (± 0.25 lbs/±0.11 kg) .. 2.5 lbs. (1.1 kg)  
 Dimensions ..... See Submittal Drawing  
 on reverse  
 Inlet Connection Type and Size ..... See Submittal Drawing  
 on reverse  
 Body Construction ..... Brass  
 Handles ..... Brass



### Ordering Information

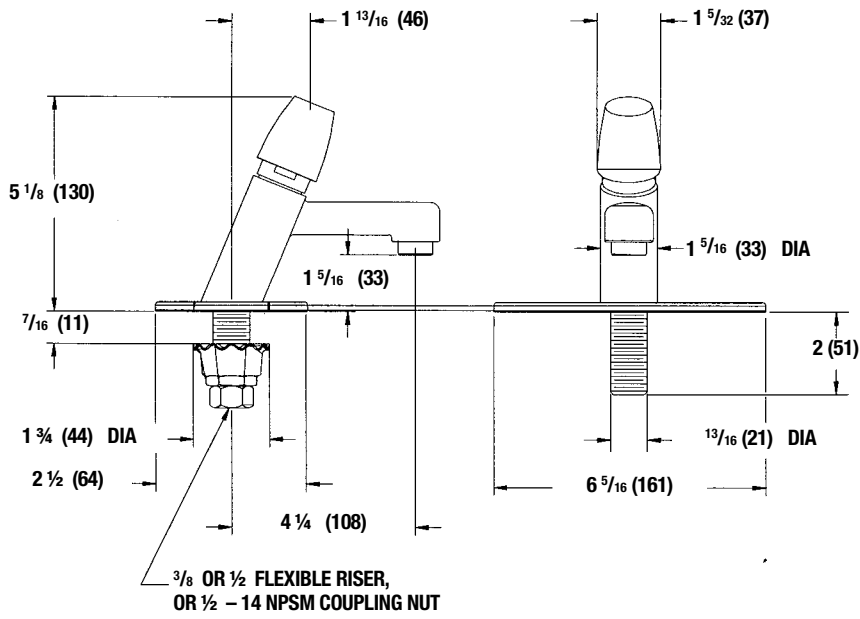
P1815

Outlets	Order Code
0.5 gpm (1.6 L/min) Aerator .....	<b>A5</b>
2.0 gpm (7.6 L/min) Laminar Flow Outlet .....	<b>LF</b>
2.0 gpm (7.6 L/min) Spray Face .....	<b>SF</b>
Vandal Resistant Aerator (0.5 gpm, 1.9 L/min) ...	<b>V5</b>
Vandal Resistant Aerator (2.0 gpm, 7.6 L/min) ...	<b>VA</b>
2.0 gpm (7.6 L/min) Vandal Resistant Flow .....	<b>VF</b>
<b>Others</b>	
Grid Drain (P3902) .....	<b>GD</b>
Offset Grid Drain (P3906) .....	<b>OG</b>



Powers product specifications in U.S. customary units and metric are approximate and are provided for reference only. For precise measurements, please contact Powers Technical Service. Powers reserves the right to change or modify product design, construction, specifications, or materials without prior notice and without incurring any obligation to make such changes and modifications on Powers products previously or subsequently sold.

# Dimensions



Dimensions in Inches (Millimeters)  
 Roughing in dimensions may vary and are subject to change. No responsibility is assumed for use of superseded or voided data.

**POWERS™**  
 A WATTS Brand

USA: Tel: (800) 669-5430 • Fax: (847) 229-0526 • PowersControls.com  
 Canada: Tel: (905) 332-4090 • Fax: (905) 332-7068 • PowersControls.ca  
 Latin America: Tel: (52) 81-1001-8600 • PowersControls.com