

For Non-Health Hazard Applications

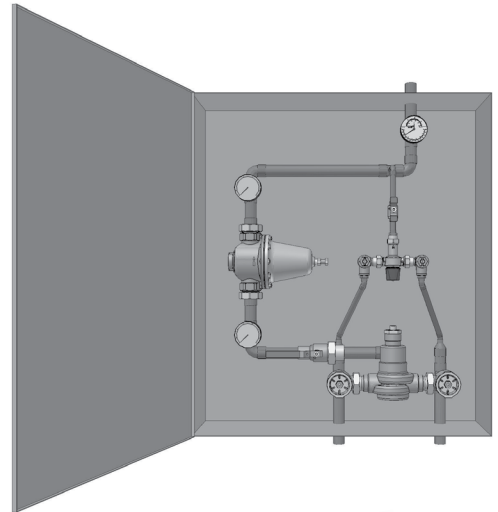
Job Name _____ Contractor _____
 Job Location _____ Approval _____
 Engineer _____ Contractor's P.O. No. _____
 Approval _____ Representative _____

LEAD FREE*

HydroGuard® XP Series

LFMM430 2 Valve Hi/Lo

Supply Fixture Wall Mount Cabinet



Features

- Features Lead Free* construction to comply with Lead Free* installation requirements.
- Paraffin-based advanced thermal actuation technology to sense and adjust outlet temperature
- Dirt and lime resistant poppet and seat design
- Virtual shutoff if supply pressure fails
- Vandal-resistant locking mechanism to secure temperature setting
- Factory tested as a complete unit
- Stainless steel or white painted cabinet
- Pressure/Temperature Gauges, Ball valves



Advanced Thermal Activation

Specifications

Connections See chart on reverse
 Maximum Hot Water Supply Temperature 200°F (93°C)
 Minimum Hot Water Supply Temperature** 5°F (3°C) Above Set Point
 Minimum Flow*** 0.5 gpm (1.9 lpm)
 Maximum Operating Pressure 125 psi (861 kPa)
 Temperature Adjustment Range**** 90 – 160°F (32 – 71°C)
 Hot Water Inlet Temperature Range 120 – 180°F (49 – 82°C)
 Cold Water Inlet Temperature Range 40 – 80°F (4 – 27°C)
 Listing/Compliance (Valve Only) ASSE 1017, CSA B125

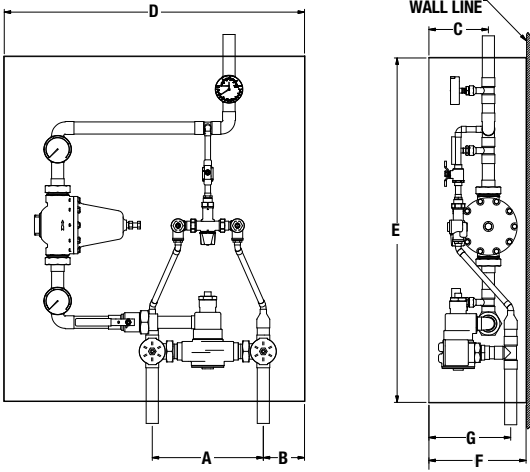
* The wetted surface of this product contacted by consumable water contains less than one quarter of one percent (0.25%) of lead by weight.
 ** With Equal Pressure
 *** Minimum flow when Hi/Lo valve is installed at or near hot water source w/ recirculating tempered water with a properly sized continuously operating recirculating pump.
 **** Note: Low limit cannot be less than the cold water temperature. For best operation, hot water should be at least 5°F (3°C) above desired set point.

Capacity

Flow Capacity at 50-50 Mixed Ratio								
Model	Min. Flow to ASSE 1017	C _v	Pressure Drop Across Valve					
			5 psi (34 kPa)	10 psi (69 kPa)	20 psi (138 kPa)	30 psi (207 kPa)	45 psi (310 kPa)	60 psi (414 kPa)
LFMM431HL	0.5 gpm 1.89 lpm	9.7	22 gpm 83 lpm	31 gpm 117 lpm	43 gpm 163 lpm	53 gpm 201 lpm	65 gpm 246 lpm	75 gpm 284 lpm
LFMM432HL	0.5 gpm 1.89 lpm	13.0	29 gpm 110 lpm	41 gpm 155 lpm	58 gpm 220 lpm	66 gpm 250 lpm	87 gpm 329 lpm	93 gpm 352 lpm
LFMM433HL	0.5 gpm 1.89 lpm	19.8	44 gpm 167 lpm	63 gpm 238 lpm	86 gpm 326 lpm	108 gpm 409 lpm	133 gpm 503 lpm	153 gpm 579 lpm
LFMM434HL	0.5 gpm 1.89 lpm	24.9	56 gpm 212 lpm	79 gpm 299 lpm	111 gpm 420 lpm	136 gpm 515 lpm	167 gpm 632 lpm	193 gpm 731 lpm
LFMM435HL	3.0 gpm 11.0 lpm	27.7	62 gpm 235 lpm	88 gpm 333 lpm	124 gpm 469 lpm	152 gpm 575 lpm	186 gpm 704 lpm	215 gpm 814 lpm

Powers product specifications in U.S. customary units and metric are approximate and are provided for reference only. For precise measurements, please contact Powers Technical Service. Powers reserves the right to change or modify product design, construction, specifications, or materials without prior notice and without incurring any obligation to make such changes and modifications on Powers products previously or subsequently sold.

Dimensions



Valve	A	B	C	G	Inlets	Outlet
LFMM431HL	9-1/8" 232mm	3-5/8" 92mm	4-3/4" 121mm	6-3/4" 171mm	3/4" 20mm	3/4" 20mm
LFMM432HL	9-1/8" 232mm	3-1/8" 79mm	5" 127mm	6-3/4" 171mm	3/4" 20mm	1" 25mm
LFMM433HL	12-1/2" 318mm	4-5/8" 117mm	6-3/4" 171mm	9-1/4" 235mm	1-1/4" 32mm	1-1/4" 32mm
LFMM434HL	12-1/2" 318mm	2-1/2" 64mm	6-1/2" 165mm	8-3/4" 222mm	1-1/4" 32mm	1-1/2" 40mm
LFMM435HL	12-1/2" 318mm	2-7/8" 73mm	6-1/2" 165mm	8-3/4" 222mm	1-1/4" 40mm	1-1/2" 40mm

Note:
Dimensions are shown ±1/2"
Dimensions in parentheses are in mm

Cabinet Dimensions	LFMM431HL & LFMM432HL			LFMM433HL & LFMM434HL			LFMM435HL		
	D	E	F	D	E	F	D	E	F
	25" 635mm	32" 813mm	8" 203mm	34" 864mm	39" 991mm	11" 279mm	34" 864mm	42" 1067mm	11" 279mm

Ordering Information

Valve	Inlets	Outlet	Order Code
LFLM490/LFMM431	3/4" (20mm)	3/4" (20mm)	LFMM431HL
LFLM490/LFMM432	3/4" (20mm)	1" (25mm)	LFMM432HL
LFLM490/LFMM433	1-1/4" (32mm)	1-1/4" (32mm)	LFMM433HL
LFLM490/LFMM434	1-1/4" (32mm)	1-1/2" (40mm)	LFMM434HL
LFMM431/LFMM434	1-1/4" (32mm)	1-1/2" (40mm)	LFMM435HL

Finish

Rough Bronze
Chrome Plated

Piping

Bottom/Top

Cabinets

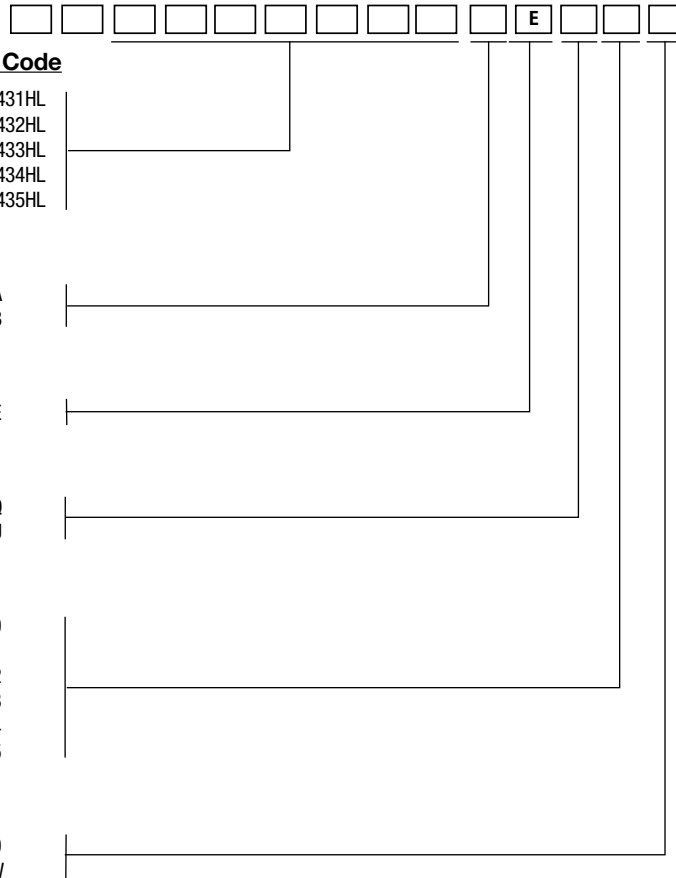
Stainless Steel, Wall Mount
Painted Steel, Wall Mount

Alarm

None
AquaSentry2 for LFMM431HL
AquaSentry2 for LFMM432HL
AquaSentry2 for LFMM433HL
AquaSentry2 for LFMM434HL
AquaSentry2 for LFMM435HL

View Port

None
Window



Recirculation Piping Diagram

Please see Piping Diagram Section of this catalog.

Typical Specification — Supply Fixtures

Hi/Lo Water Temperature Control System shall be factory assembled and tested and include a stainless steel or painted steel cabinet. It shall include two thermostatic mixing valves capable of maintaining water temperature to 5°F (3°C) above set point. The valves shall be constructed using Lead Free* brass. Lead Free* brass valves shall comply with state codes and standards, where applicable, requiring reduced lead content. Hi/Lo shall include HydroGuard® XP LFMM430 and/or LFLM490 Series Master-Tempering Valve with advanced, paraffin-based actuation technology. Hi/Lo shall also include copper piping, ball valve(s) and temperature/pressure gauge for diagnostics. The tempering valve shall have union checkstops, an outlet temperature range of 90 – 160°F (32 – 71°C) (with lockable means), and a single-seat design for positive shutoff. Valve shall be ASSE 1017 listed and CSA certified. Minimum flows to ASSE 1017 shall be 0.5 gpm (1.9 lpm) for LFMM431HL, LFMM432HL, LFMM433HL, LFMM434HL, and 3.0 gpm (11 lpm) for LFMM435HL. Valve shall be a Powers' Model _____. All alternatives must have written approval prior to bidding.

POWERS™

A WATTS Brand

USA: Tel: (800) 669-5430 • Fax: (847) 229-0526 • PowersControls.com
Canada: Tel: (905) 332-4090 • Fax: (905) 332-7068 • PowersControls.com
Latin America: Tel: (52) 81-1001-8600 • PowersControls.com