

## For Non-Health Hazard Applications

Job Name _____	Contractor _____
Job Location _____	Approval _____
Engineer _____	Contractor's P.O. No. _____
Approval _____	Representative _____

# HydroGuard® XP Series

## SH1430 2 Valve DV

### Supply Fixture Exposed

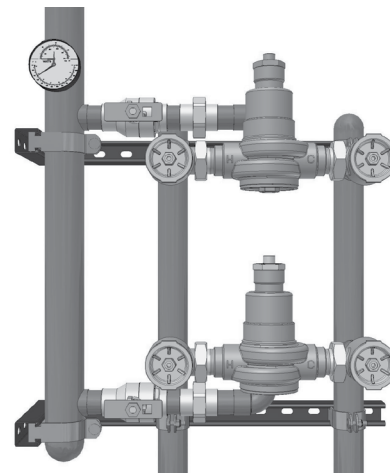
#### Features

- Paraffin-based advanced thermal actuation technology to sense and adjust outlet temperature
- Dirt and lime resistant poppet and seat design
- Virtual shutoff if supply pressure fails
- Vandal-resistant locking mechanism to secure temperature setting
- Factory tested as a complete unit
- Pressure/Temperature Gauge, Ball valves

#### Specifications

Connections . . . . .	See chart on reverse
Maximum Hot Water Supply Temperature . . . . .	200°F (93°C)
Minimum Hot Water Supply Temperature* . . . . .	5°F (3°C) Above Set Point
Minimum Flow** . . . . .	0.5 gpm (1.9 lpm)
Maximum Operating Pressure . . . . .	125 psi (861 kPa)
Temperature Adjustment Range*** . . . . .	90 – 160°F (32 – 71°C)
Hot Water Inlet Temperature Range . . . . .	120 – 180°F (49 – 82°C)
Cold Water Inlet Temperature Range . . . . .	40 – 80°F (4 – 27°C)
Listing/Compliance (Valves Only) . . . . .	ASSE 1017, CSA B125

\*With Equal Pressure  
 \*\*Minimum flow when DV valve is installed at or near hot water source recirculating tempered water with a properly sized continuously operating recirculating pump.  
 \*\*\*Note: Low limit cannot be less than the cold water temperature. For best operation, hot water should be at least 5°F (3°C) above desired set point.



Advanced Thermal Activation

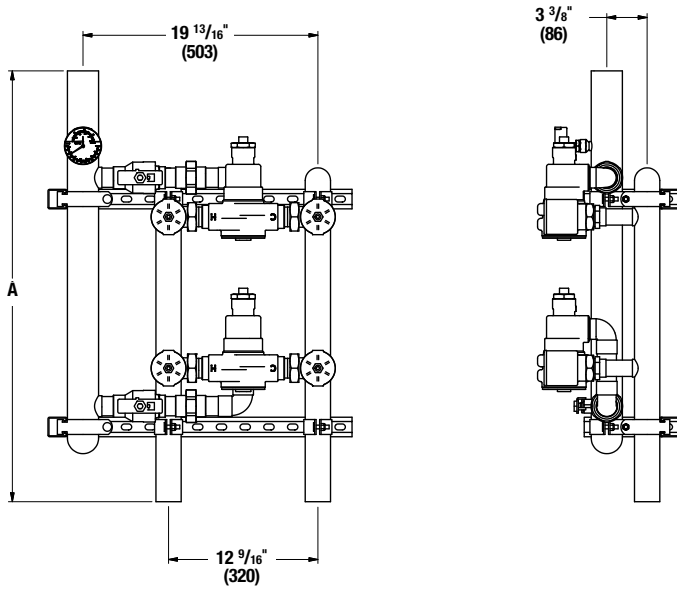
#### Capacity

Flow Capacity at 50-50 Mixed Ratio								
		Pressure Drop Across Valve						
Model	Min. Flow to ASSE 1017	Cv	5 psi (34 kPa)	10 psi (69 kPa)	20 psi (138 kPa)	30 psi (207 kPa)	45 psi (310 kPa)	60 psi (414 kPa)
SH1432DV	2 gpm 8 lpm	27.4	61 gpm 231 lpm	87 gpm 329 lpm	123 gpm 466 lpm	150 gpm 568 lpm	184 gpm 697 lpm	213 gpm 806 lpm
SH1434DV	2 gpm 8 lpm	37.4	84 gpm 318 lpm	118 gpm 447 lpm	167 gpm 632 lpm	205 gpm 776 lpm	251 gpm 950 lpm	290 gpm 1098 lpm

Powers product specifications in U.S. customary units and metric are approximate and are provided for reference only. For precise measurements, please contact Powers Technical Service. Powers reserves the right to change or modify product design, construction, specifications, or materials without prior notice and without incurring any obligation to make such changes and modifications on Powers products previously or subsequently sold.

## Dimensions

### SH1430 Dual Valve (DV)



Valve	Inlets	Outlet	A
SH1432DV	1-1/2" (38)	2" (51)	35-1/4" (685)
SH1434DV	2" (51)	2-1/2" (64)	36-3/8" (924)

Note:  
Dimensions are shown  $\pm 1/2"$   
Dimensions in parentheses  
are in mm

## Ordering Information

Valve	Inlets	Outlet	Order Code
SH1432/SH1434	1-1/2" (40mm)	2" (50mm)	SH1432DV
SH1434/SH1434	2" (50mm)	2-1/2" (65mm)	SH1434DV

### Finish

Rough Bronze

A

### Piping

Bottom/Top

E

### Cabinets

Exposed, No Cabinet

M

### Alarm (not factory installed)\*

None

0

AquaSentry® 2\*\* for SH1432HL

6

AquaSentry® 2\*\* for SH1434HL

7

\* Mounting requirements vary based on individual installation.

\*\* Includes control module, sensor, electrical box, transformer, solenoid, shock absorber, and 25' of station cable.

## Recirculation Piping Diagram

Please see Piping Diagram Section of this catalog.

## Typical Specification

DV water temperature control system shall be factory assembled and tested and shall include two thermostatic mixing valves capable of maintaining water temperature to 5°F (3°C) above set point. DV shall include two HydroGuard® XP SH1430 Series Master-Tempering Valve with advanced, paraffin-based actuation technology. DV shall also include copper piping, ball valve(s) and temperature/pressure gauge for diagnostics. The tempering valve shall have union checkstops, an outlet temperature range of 90 – 160°F (32 – 71°C) (with lockable means), and a single seat design for positive shutoff. Valve shall be ASSE 1017 listed and CSA certified. Minimum flows to ASSE 1017 shall be 2.0 gpm (8 lpm) for SH1432DV and SH1434DV.

Valve shall be a Powers' model \_\_\_\_\_. All alternatives must have written approval prior to bidding.

# POWERS™

A WATTS Brand

USA: Tel: (800) 669-5430 • Fax: (847) 229-0526 • PowersControls.com  
Canada: Tel: (905) 332-4090 • Fax: (905) 332-7068 • PowersControls.ca  
Latin America: Tel: (52) 81-1001-8600 • PowersControls.com