

For Residential and Commercial Applications

Job Name _____

Contractor _____

Job Location _____

Approval _____

Engineer _____

Contractor's P.O. No. _____

Approval _____

Representative _____

Series 45 Brass Quick-Connect Fittings

Watts Series 45 Quick-Connect fittings are designed and manufactured for many years of trouble free service. Series 45 fittings are manufactured from brass and incorporate the proven Watts Quick-Connect patent pending O-Ring and Collet design which allows for quick and easy connections without the use of installation or disconnection tools.

Specifications

Connections shall be made using Watts Series 45 Brass Quick-Connect fittings with Integral Collet and O-Ring guide. Fitting shall be able to fully rotate under pressure and allow for easy disconnect and reuse without tools.

Approvals

IAPMO IGC-188-2004c, ANSI/NSF-61, ANSI/NSF-14, CSA B137.5, ASTM F877, ASSE 1061

Ratings

200psi @ 180°F (13.6 bar @ 82°C)

250psi @ 75°F (17.3 bar @ 24°C)

Material Specifications

Body – Brass UNS C36500 ASTM B283

Collet – Nylon

O-Ring – EPDM

Spacer – Acetal

Collet Cover – Acetal

Tube Insert – Polysulfone

Note

For compliance to IAPMO IGC-188-2004c a pipe insert (provided) must be used with each connection when joining PEX pipe.

A collet cover is provided for each CTS connection and is intended to prevent unwanted disconnection of fitting during pull-through installations while the system is unpressurized. To disconnect the fitting, remove the collet cover and depress the collet.

It is recommended that all threaded connections be made with Teflon® tape only.



4501



4522



4510



4522S



4515



4523



4517



4545



4518



4521



4515R



4524



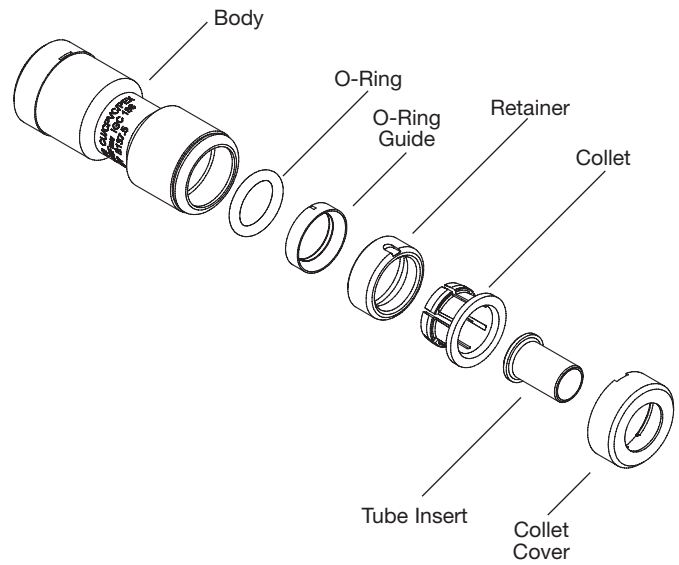
4517R



4526R

Making A Connection

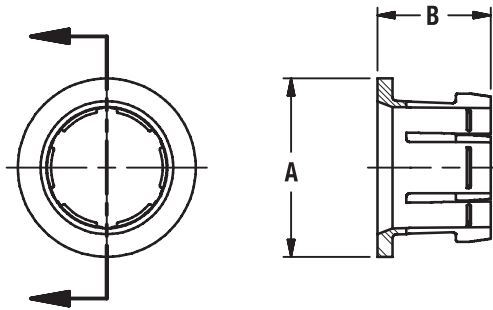
1. Cut the pipe or tubing squarely using a sharp tubing cutter (plastic) or rotary copper pipe cutter (copper). Inspect the outside diameter of the pipe or tubing to be sure there is no damage, nicks, burrs, or debris. Deburr and clean pipe or tubing as necessary.
2. Measure the insertion depth on the pipe or tubing end. Series 35 fittings have an insertion line molded into the body of the fitting. For Series 45 fittings, use the Insertion Depth Guide provided with the fitting.
3. For PEX Pipe, gently insert a pipe stiffener (provided for each connection with fitting) into the pipe end.
4. Make certain to push the tubing completely into the fitting until it comes into contact with the internal tube stop.
5. To disconnect, ensure system has been depressurized before removing fitting. Gently pry off collet cover and push back away from fitting, exposing the collet. Push the collet in squarely against the face of the fitting. With the collet held securely in this position, the tubing can be removed.



Dimensions

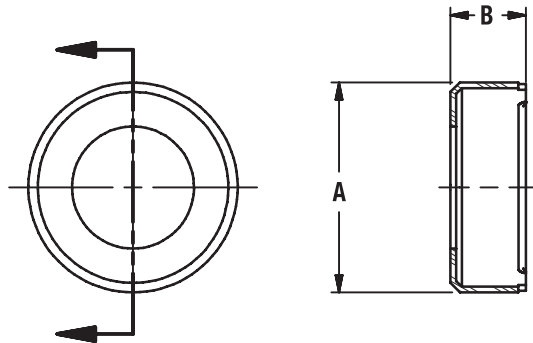
Collets

SIZE	A		B	
	in.	mm	in.	mm
1/2"	15/16	24	9/16	15
3/4"	1 1/8	29	3/4	18
1"	1 3/8	36	1 1/16	17



Collet Covers

SIZE	A		B	
	in.	mm	in.	mm
1/2"	1 1/16	28	3/8	10
3/4"	1 5/16	34	1/2	13
1"	1 5/8	42	1/2	12



Watts product specifications in U.S. customary units and metric are approximate and are provided for reference only. For precise measurements, please contact Watts Technical Service. Watts reserves the right to change or modify product design, construction, specifications, or materials without prior notice and without incurring any obligation to make such changes and modifications on Watts products previously or subsequently sold.

Quick-Connect Plumbing Solutions

USA: 815 Chestnut St., No. Andover, MA 01845-6098; www.watts.com

Canada: 5435 North Service Rd., Burlington, ONT. L7L 5H7; www.wattscanada.ca