

For Residential Applications

Job Name _____

Contractor _____

Job Location _____

Approval _____

Engineer _____

Contractor's P.O. No. _____

Approval _____

Representative _____

Series SS

Stop Valves

Sizes: 1/2" – 3/4" (15 – 20mm)

Models

Model SS – Sizes 1/2", 3/4" (15, 20mm) solder connections

Model SSC – Sizes 1/2", 3/4" (15, 20mm) compression ends

Model ST – Sizes 1/2", 3/4" (15, 20mm) NPT female connections

Model ST-C – Sizes 1/2", 3/4" (15, 20mm) NPT female connections with cross style handle

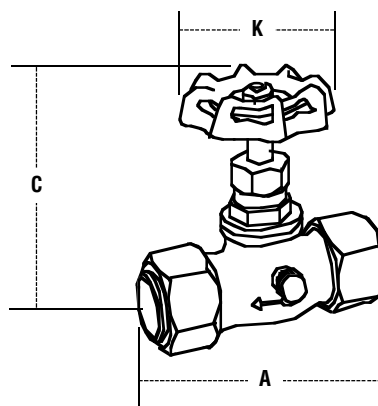
Pressure — Temperature

Maximum Working Pressure: 150psi (10.3 bars) WOG.

Maximum Temperature: 180°F (82°C).



SSC



MODEL	SIZE (DN)		DIMENSIONS						WEIGHT	
	in	mm	A		C		K		lbs	kgs
SS	1/2	15	2 ³ / ₁₆	55	2 ⁹ / ₁₆	65	2 ¹ / ₁₆	53	0.44	0.20
SS	3/4	20	2 ¹¹ / ₁₆	69	2 ¹ / ₂	63	2 ¹ / ₁₆	53	0.51	0.23
SSC	1/2	15	2 ⁷ / ₈	74	2 ⁷ / ₁₆	63	2 ¹ / ₁₆	53	0.62	0.28
SSC	3/4	20	3 ³ / ₈	86	2 ¹ / ₂	65	2 ¹ / ₁₆	53	0.81	0.37
ST	1/2	15	2 ¹ / ₈	54	2 ³ / ₈	60	1 ⁵ / ₈	42	0.53	0.24
ST	3/4	20	2 ¹ / ₈	54	2 ³ / ₈	60	1 ⁵ / ₈	42	0.57	0.26
STC	1/2	15	2 ¹ / ₈	54	2 ³ / ₈	60	1 ⁵ / ₈	42	0.52	0.24
STC	3/4	20	2 ¹ / ₈	54	2 ³ / ₈	60	1 ⁵ / ₈	42	0.57	0.26

USA: 815 Chestnut St., No. Andover, MA 01845-6098; www.wattsreg.com

Canada: 5435 North Service Rd., Burlington, ONT. L7L 5H7; www.wattscanada.ca



Watts product specifications in U.S. customary units and metric are approximate and are provided for reference only. For precise measurements, please contact Watts Technical Service. Watts reserves the right to change or modify product design, construction, specifications, or materials without prior notice and without incurring any obligation to make such changes and modifications on Watts products previously or subsequently sold.