

# For Residential and Commercial Applications

Job Name \_\_\_\_\_  
 Job Location \_\_\_\_\_  
 Engineer \_\_\_\_\_  
 Approval \_\_\_\_\_

Contractor \_\_\_\_\_  
 Approval \_\_\_\_\_  
 Contractor's P.O. No. \_\_\_\_\_  
 Representative \_\_\_\_\_

## SunStat® Command

### Programmable Touchscreen Thermostat

This all-in-one thermostat includes a built-in relay to control 120 or 240 VAC floor heating systems and a GFCI to improve safety. By default, the SunStat Command controls the floor temperature. It can optionally limit the floor temperature to prevent the space from overheating, or be configured to control the space through air temperature alone.

#### Specifications

<b>Literature</b>	IOM-ST-Command, ES-ST-Command
<b>Operation Voltage</b>	120/240 VAC, 60 Hz, 3 watts
<b>Maximum Load</b>	15 amps resistive
<b>Maximum Power</b>	1800 watts at 120 VAC 3600 watts at 240 VAC
<b>GFCI</b>	Class A (5 milliamp trip)
<b>Dimensions</b>	4-5/8" H x 2-19/20" W x 1-13/20" D (118 x 75 x 42 mm)
<b>Enclosure</b>	White PVC plastic, NEMA type 1
<b>Ambient conditions</b>	32 to 86°F (0 to 30°C), <90% RH non-condensing
<b>Floor Sensor</b>	Thermistor, 10k NTC type, 300 V jacketed cable, 15' long

#### Features

- Floor and air sensing control
- Touchscreen display with multiple color themes
- Thin profile with removable, paintable beauty ring
- 7-day programmable schedules
- Energy use monitoring
- Comprehensive help screens
- Home automation system tie-in
- Temporary hold setting

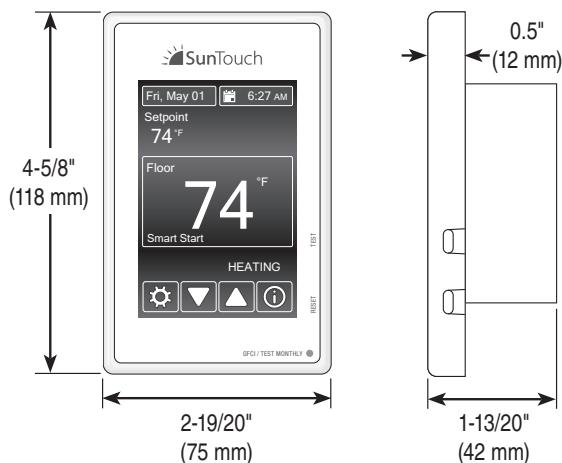


UL Listed under UL 943, UL 873, UL 991  
 Listing file number E365015.



Floor Sensor

SunStat Command



#### CAUTION

This Engineering Sheet is not intended to provide full installation instructions and safety information. In order to avoid property damage or injury, please refer to the complete installation manual and product safety information provided with the product.

#### Product Options

Qty	Description	Model#	Order#
	SunStat Command Thermostat	500850-SB	81019079
	Extra Floor Sensor (optional)	500110	81009178

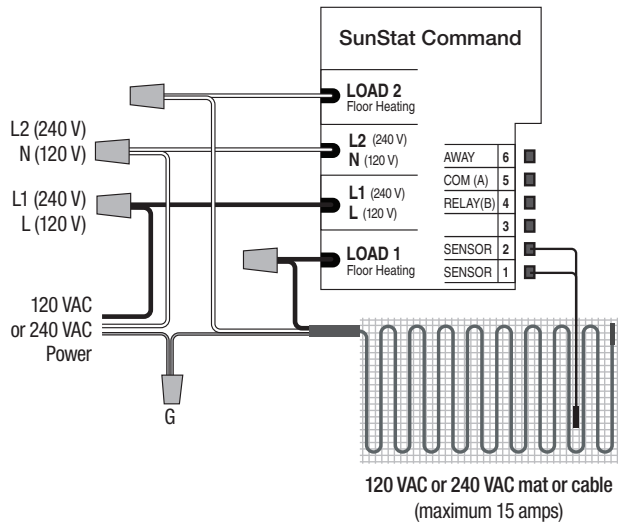
SunTouch product specifications in U.S. customary units and metric are approximate and are provided for reference only. For precise measurements, please contact SunTouch Technical Service. SunTouch reserves the right to change or modify product design, construction, specifications, or materials without prior notice and without incurring any obligation to make such changes and modifications on SunTouch products previously or subsequently sold.



## SunStat Command Application Examples

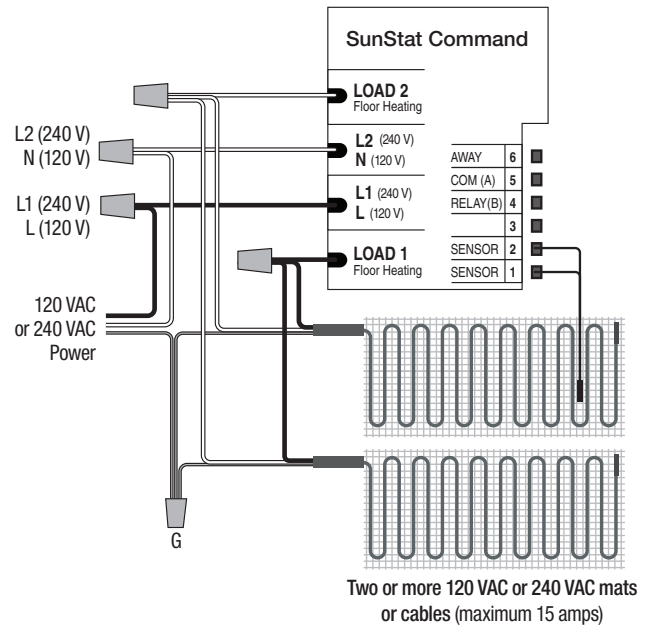
### Typical Wiring for SunStat Command with one mat or cable (120/240 VAC).

Dedicated 120 or 240 VAC, 20-amp (maximum) circuit (maximum 15 amp load through SunStat control)



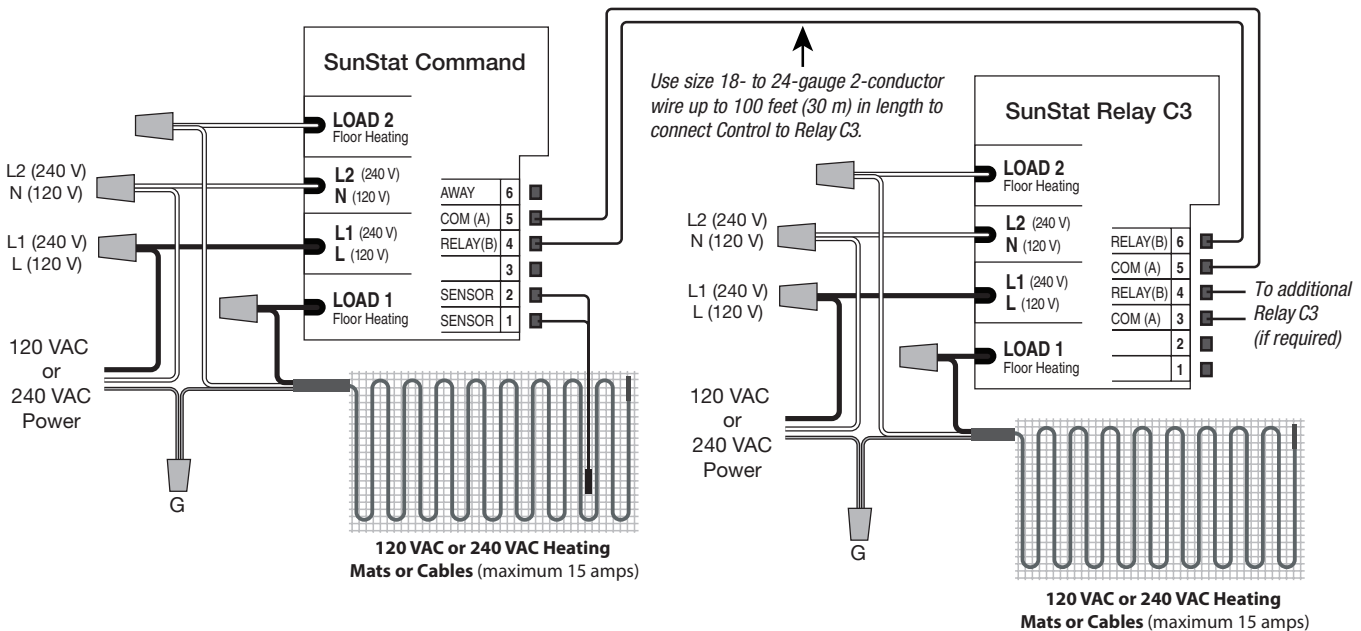
### Typical Wiring for SunStat Command with multiple mats or cables (120/240 VAC).

Dedicated 120 or 240 VAC, 20-amp (maximum) circuit (maximum 15 amp load through SunStat control)



### Electrical Wiring Diagram for SunStat Command with SunStat Relay C3 (120/240 VAC). Up to 10 SunStat Relay C3's can be connected to expand the area controlled by a single SunStat Command.

Dedicated 120 or 240 VAC, 20-amp (maximum) circuit (maximum 15 amp load through SunStat control)



A Watts Water Technologies Company

USA: Tel: (888) 432-8932 • Fax: (417) 831-4067

Canada: Tel: (888) 208-8927 • Fax: (905) 332-7068

Latin America: Tel: (52) 81-1001-8600 • Fax: (52) 81-8000-7091