

For Residential and Commercial Snow Melt Applications

Job Name _____

Contractor _____

Job Location _____

Approval _____

Engineer _____

Contractor's P.O. No. _____

Approval _____

Representative _____

PM-2C Sensor/Controller

Remote snow/ice sensor

The PM-2C is a multi-voltage, self contained temperature, snow and ice sensing control. Each PM-2C can operate with either 120 , 208, 240 VAC , or 277 and can control up to 30 amps of service to the load. The integrated snow sensor is heated to allow for snow, ice, or freezing rain to melt, allowing proper detection of environmental conditions.

Specifications

Supply Voltage	100 - 277 VAC
Maximum Amperage	30A
Trigger Temperature Range (TT)	34°F to 44°F (1°C to 6.5°C)
Configuration Modes	Snow Only Rain Only Snow or Rain
Delay Settings (post melting)	30 to 90 minutes 2 to 6 hours
Low Temperature Cutoff (LTC)	Prevents system operation when Ambient Temperature (AT) is below 5°F (-15°C)
Operation Modes	Automatic Standby/Reset Manual

Installation

The PM-2C must be installed in a location that exposes the moisture grid to a clear view of the sky and any precipitation. The unit should not be mounted directly under eaves, overhangs, or other obstructions that can block precipitation from reaching the moisture grid.

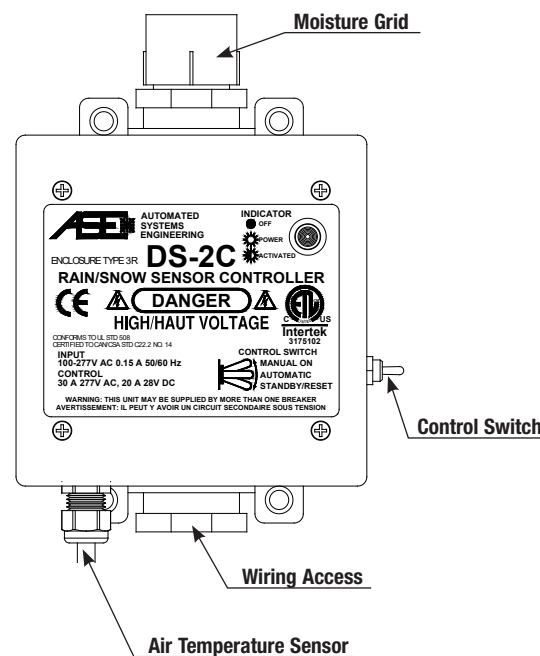
Do not install the sensor close to the ground, or any other location, that can cause the sensor to be buried in snow.

Mount the PM-2C outdoors, away from furnace vents, dryer vents, and other sources of heat. The PM-2C can be mounted to a free-standing conduit or by using the mounting holes in each corner of the enclosure. Do not drill holes in the enclosure.

Wire the controller in accordance to the provided schematics.

⚠ CAUTION

This Engineering Sheet is not intended to provide full installation instructions and safety information. In order to avoid property damage or injury, please refer to the complete installation manual and product safety information provided with the product.



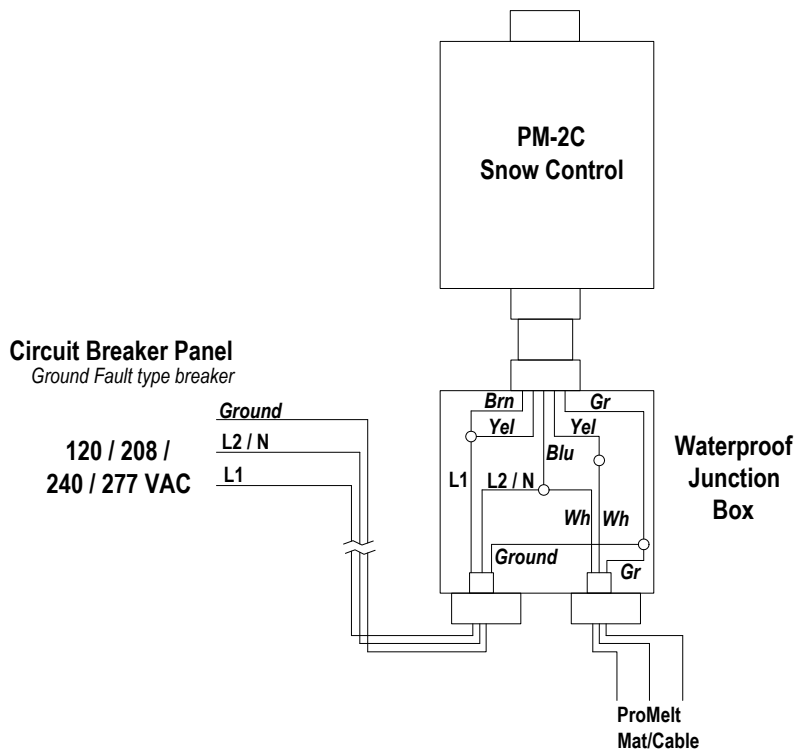
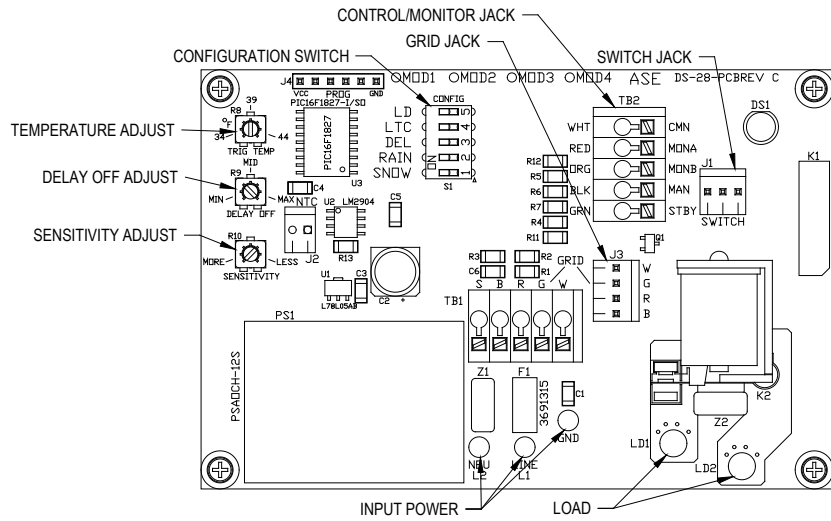
PM-2C provides integrated air and moisture detection within a rainproof and ice-resistant enclosure.

Standards and Listings



✓	Description	Dimensions	Order #
	PM-2C Sensor/Control	5" x 7" x 3"	81011699


SunTouch product specifications in U.S. customary units and metric are approximate and are provided for reference only. For precise measurements, please contact SunTouch Technical Service. SunTouch reserves the right to change or modify product design, construction, specifications, or materials without prior notice and without incurring any obligation to make such changes and modifications on SunTouch products previously or subsequently sold. Refer to the owner's manual for warranty information.



Recommended Switch Settings							
Function	Trigger	LTC	DEL	RAIN	SNOW	LD Off	LD On
Snow sensor w/o LTC	TT>AT	OFF	OFF	OFF	ON	2 Min	2 Min
Snow sensor w/LTC	TT>AT>15°F (9.5°C)	ON	OFF	OFF	ON	2 Min	2 Min
Snow controller w/o LTC	TT>AT	OFF	ON	OFF	ON	30-90 Min	2-6 Hr
Snow controller w/LTC	TT>AT>15°F (9.5°C)	ON	ON	OFF	ON	30-90 Min	2-6 Hr

Do Not set the Rain switch to "ON". Possible overheating of the snow melt cables may result.

⚠ WARNING: General Safety Instructions

- THIS UNIT SHOULD BE INSTALLED ONLY BY QUALIFIED PERSONNEL!**
-  To prevent the risk of electric shock, disconnect all power from the control and associated equipment before opening the front cover plate.
- Do not drill holes through the electrical enclosure for mounting. Mount the control to a free-standing conduit or via the pre-determined mounting holes.
- Ensure front cover gasket is properly installed when replacing cover.



USA: T: (888) 432-8932 • F: (417) 831-4067 • SunTouch.com
 Canada: T: (905) 332-4090 • F: (905) 332-7068
 Latin America: T: (52) 81-1001-8600