

For Residential and Commercial Applications

Job Name _____
 Job Location _____
 Engineer _____
 Approval _____

Contractor _____
 Approval _____
 Contractor's P.O. No. _____
 Representative _____

SunStat® Relay C3

120 or 240 VAC

The SunStat Relay C3 is designed to control the voltage to SunTouch electric floor heating systems that require more than 15 amps. Up to 10 SunStat Relays may be connected to one SunStat Connect, Command or Core Thermostat for 120 VAC systems as large as 1650 ft² or 240 VAC systems as large as 3300 ft². Each SunStat Relay C3 requires an additional 20-amp circuit and individual circuit breaker.

Specifications

Literature	IOM-ST-RelayC3, ES-ST-RelayC3
Operation Voltage	120/240 VAC, 60 Hz, 3 watts
Maximum Load	15 amps resistive
Maximum Power	1800 watts at 120 VAC 3600 watts at 240 VAC
GFCI	Class A (5 milliamp trip)
Dimensions	4-5/8" H x 2-19/20" W x 1-13/20" D (118 x 75 x 42 mm)
Enclosure	White PVC plastic, NEMA type 1
Ambient conditions	32 to 86°F (0 to 30°C), <90% RH non-condensing

NOTICE

The Relay C3 is only compatible with the SunStat Connect, Command and Core models. Do not connect to older model SunStat thermostats or relays.

Features

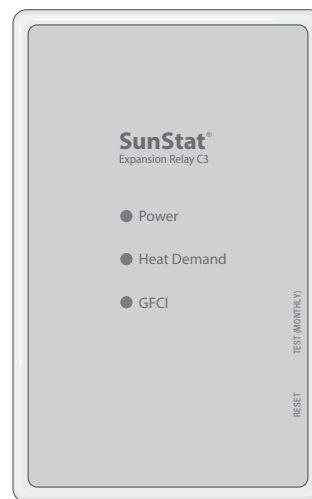
- Extend the area controlled by a SunStat Connect, Command or Core thermostat
- Control up to 15 Amps of electric floor heating
- Dual Voltage (120 and 240 VAC)
- Built-in GFCI (5 milliamp trip)
- Status Lights
- Up to 10 Relay C3's per thermostat
- Three-Year warranty



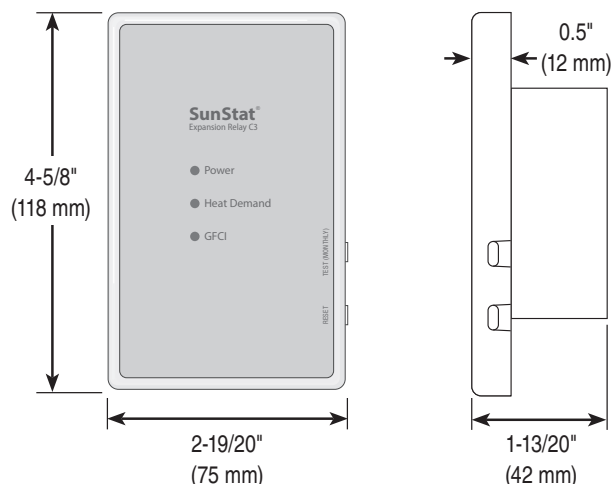
UL Listed under UL 943, UL 873, UL 991
 Listing file number E365015.

CAUTION

This Engineering Sheet is not intended to provide full installation instructions and safety information. In order to avoid property damage or injury, please refer to the complete installation manual and product safety information provided with the product.



SunStat Expansion Relay C3



Product Options

Qty	Description	Model#	Order#
	SunStat Expansion Relay C3	500880-BB	81019088

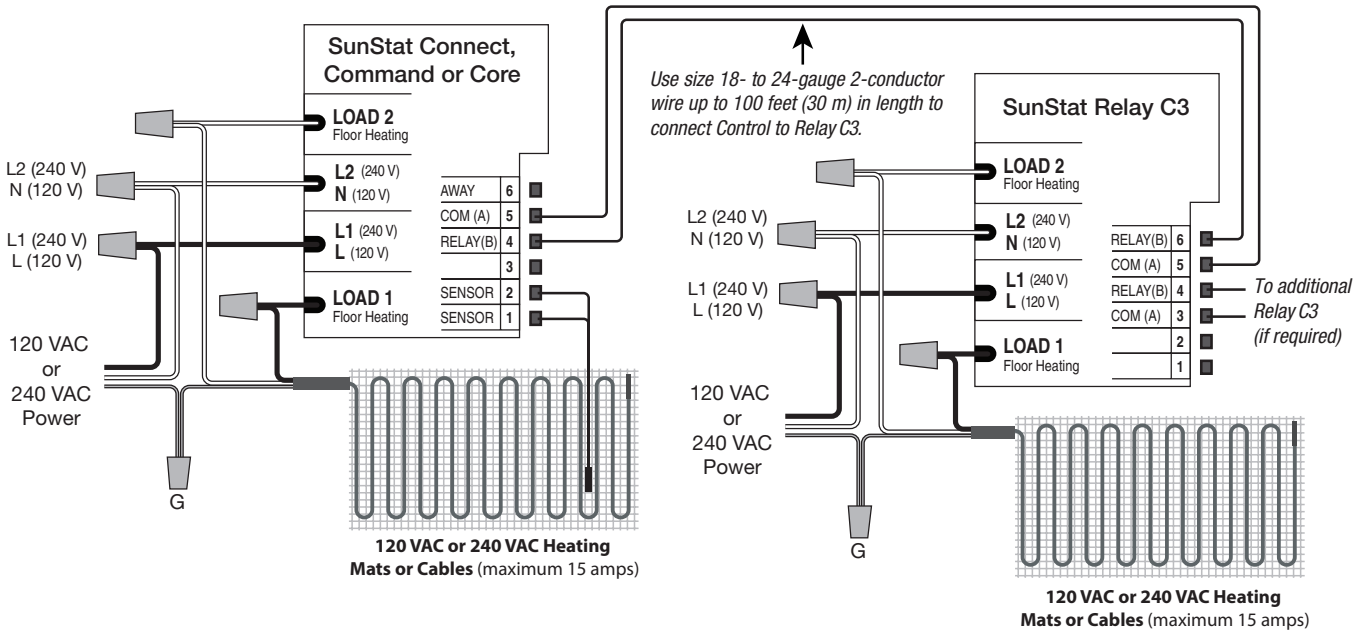
SunTouch product specifications in U.S. customary units and metric are approximate and are provided for reference only. For precise measurements, please contact SunTouch Technical Service. SunTouch reserves the right to change or modify product design, construction, specifications, or materials without prior notice and without incurring any obligation to make such changes and modifications on SunTouch products previously or subsequently sold.



SunStat Relay Application Examples

Electrical Wiring Diagram for SunStat thermostat with SunStat Relay C3 (120/240 VAC). Up to 10 SunStat Relay C3's can be connected to expand the area controlled by a single SunStat Connect, Command or Core thermostat.

Dedicated 120 or 240 VAC, 20-amp (maximum) circuit (maximum 15 amp load through SunStat control)



⚠ WARNING

Make sure 120 VAC is supplied to 120 VAC cables and 240 VAC is supplied to 240 VAC cables. Otherwise, dangerous overheating and a fire hazard could result. Do not exceed 15-amps on this control.



A Watts Water Technologies Company

USA: Tel: (888) 432-8932 • Fax: (417) 831-4067

Canada: Tel: (888) 208-8927 • Fax: (905) 332-7068

Latin America: Tel: (52) 81-1001-8600 • Fax: (52) 81-8000-7091