

For Residential and Commercial Polyethylene Pipe Applications

Job Name _____

Contractor _____

Job Location _____

Approval _____

Engineer _____

Contractor's P.O. No. _____

Approval _____

Representative _____

Series TR12P1

TRITON™ MPT Adapter Fittings

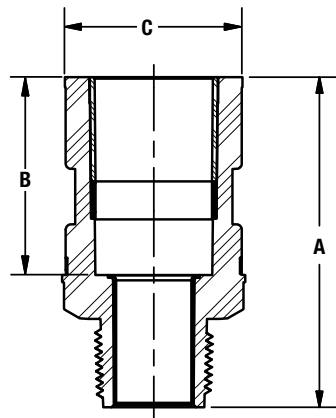
Sizes: ¾" – 2" (20 – 50mm)

TRITON Series TR12P1 adapters are used to transition polyethylene pipe to a FPT inlet. The fittings are manufactured of PE 4710 and are compatible with most polyethylene piping materials. (Consult ES-TRPE-Comp for compatibility information.) The fittings are designed to be used with the TRITON TRCU1 Control Unit and TRFWP1 Fusers to complete the connection.

Specifications

The system shall be plumbed using Watts TRITON Pipe Fusion fittings. Each fitting will incorporate the patent-pending TRITON Fuse-Tel™ fusion indicator that will provide a visual and tactile indication that the weld has been successfully completed. The TRITON Pipe Fusion system will operate on 110/115 VAC power and utilize a 13.56MHz ISM band frequency in conjunction with a dual susceptor embedded in the fitting to complete the fuse.

Dimensions — Weights



TR12P1

NOTICE

- Fitting and pipe must be free of grease, oils, water, and debris. Wipe each fitting and pipe end before insertion of pipe into fitting.
- Pipe must be inserted into to the correct depth "B" inside the fitting. Use the depth gauge feature on the side of the fitting to properly mark the required insertion depth on the pipe.

Standards

Manufactured in accordance with American Society for Testing and Materials



D3035 Standard Specification for Polyethylene (PE) Plastic Pipe (D2-PR) Based on Controlled Outside Diameter

Temperature

Maximum Operating Temperature: 140°F (60°C)

MODEL	INLET			OUTLET			DIMENSIONS						WEIGHT	
	SIZE (DN)			SIZE (DN)			A		B		C		lbs.	kgs.
	in.	mm	type	in.	mm	type	in.	mm	in.	mm	in.	mm		
TR12P1-1212-IPS	¾	20	IPS	¾	20	MPT	2⅝	86	2¼	57	1⅞	42	0.12	.054
TR12P1-1616-IPS	1	25	IPS	1	25	MPT	2¾	95	2¼	57	2	51	0.17	.079
TR12P1-2020-IPS	1¼	32	IPS	1¼	32	MPT	2¾	95	2¼	57	2⅝	60	0.25	.112
TR12P1-2424-IPS	1½	40	IPS	1½	40	MPT	4⅞	113	2⅜	71	2⅞	69	0.39	.175
TR12P1-3232-IPS	2	50	IPS	2	50	MPT	4⅞	113	2⅜	71	3⅞	85	0.50	.228

Watts product specifications in U.S. customary units and metric are approximate and are provided for reference only. For precise measurements, please contact Watts Technical Service. Watts reserves the right to change or modify product design, construction, specifications, or materials without prior notice and without incurring any obligation to make such changes and modifications on Watts products previously or subsequently sold.



A Watts Water Technologies Company

USA: Tel: (978) 688-1811 • Fax: (978) 794-1848 • watts.com

Canada: Tel: (905) 332-4090 • Fax: (905) 332-7068 • watts.ca

Latin America: Tel: (52) 81-1001-8600 • watts.com