

## For Residential and Commercial Polyethylene Pipe Applications

Job Name \_\_\_\_\_

Contractor \_\_\_\_\_

Job Location \_\_\_\_\_

Approval \_\_\_\_\_

Engineer \_\_\_\_\_

Contractor's P.O. No. \_\_\_\_\_

Approval \_\_\_\_\_

Representative \_\_\_\_\_

# Series TR24P1

## TRITON™ End Cap Fittings

Sizes: 3/4" – 2" (20 – 50mm)

TRITON Series TR24P1 End Caps are used to seal one end of a polyethylene pipe. The fittings are manufactured of PE 4710 and are compatible with most polyethylene piping materials. (Consult ES-TRPE-Comp for compatibility information.) The fittings are designed to be used with the TRITON TRCU1 Control Unit and TRFWP1 Fusers to complete the connection.

### Specifications

The system shall be plumbed using Watts TRITON Pipe Fusion fittings. Each fitting will incorporate the patent-pending TRITON Fuse-Tel™ fusion indicator that will provide a visual and tactile indication that the weld has been successfully completed. The TRITON Pipe Fusion system will operate on 110/115 VAC power and utilize a 13.56MHz ISM band frequency in conjunction with a dual susceptor embedded in the fitting to complete the fuse.



TR24P1

# TRITON™

### NOTICE

- Fitting and pipe must be free of grease, oils, water, and debris. Wipe each fitting and pipe end before insertion of pipe into fitting.
- Pipe must be inserted to the correct depth "B" inside the fitting. Use the depth gauge on the side of the fitting to properly mark the required insertion depth on the pipe.

### Standards

Manufactured in accordance with American Society for Testing and Materials



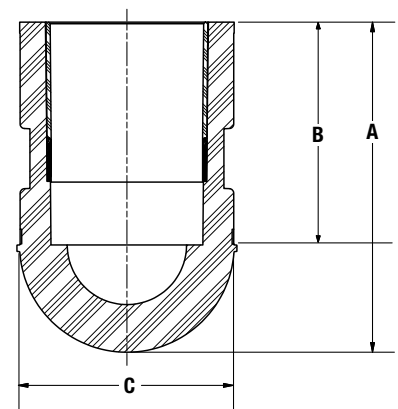
D3035 Standard Specification for Polyethylene (PE) Plastic Pipe (D2-PR) Based on Controlled Outside Diameter

### Temperature

Maximum Operating Temperature: 140°F (60°C)

### Dimensions – Weights

MODEL	INLET			DIMENSIONS						WEIGHT	
	SIZE (DN)		type	A		B		C		lbs.	kgs.
in.	mm	in.		mm	in.	mm	in.	mm			
TR24P1-12-IPS	3/4	20	IPS	3 1/16	78	2 1/4	57	1 11/16	42	0.25	0.112
TR24P1-16-IPS	1	25	IPS	3 3/4	82	2 1/4	57	2	51	0.12	0.054
TR24P1-20-IPS	1 1/4	32	IPS	3 7/16	87	2 1/4	57	2 3/8	60	0.16	0.072
TR24P1-24-IPS	1 1/2	40	IPS	4 1/8	105	2 13/16	71	2 11/16	69	0.25	0.111
TR24P1-32-IPS	2	50	IPS	4 7/16	113	2 13/16	71	3 5/16	85	0.38	0.173



Watts product specifications in U.S. customary units and metric are approximate and are provided for reference only. For precise measurements, please contact Watts Technical Service. Watts reserves the right to change or modify product design, construction, specifications, or materials without prior notice and without incurring any obligation to make such changes and modifications on Watts products previously or subsequently sold.

# WATTS®

A Watts Water Technologies Company

USA: Tel: (978) 688-1811 • Fax: (978) 794-1848 • watts.com

Canada: Tel: (905) 332-4090 • Fax: (905) 332-7068 • watts.ca

Latin America: Tel: (52) 81-1001-8600 • watts.com