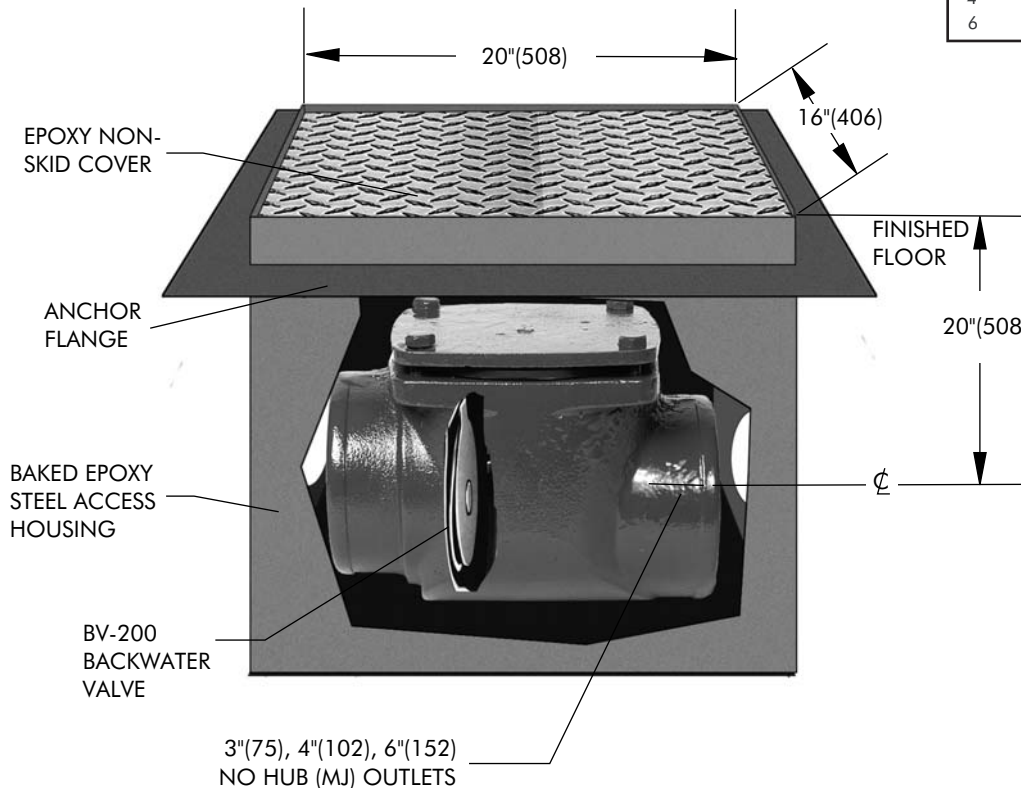


SPECIFICATION: Watts Drainage Products BV-240 epoxy coated cast iron backwater valve with gasketed cover, removable bronze seat and flapper. Standard baked epoxy coated fabricated steel access housing. Standard cover for housing shall be recessed non-skid (treadplate) with baked epoxy finish.

Order Code: **BV-24**

Ex. BV-243

Pipe Sizing (Select One)		
Suffix	Description	
3	3"(76) Connection Size	<input type="checkbox"/>
4	4"(102) Connection Size	<input type="checkbox"/>
6	6"(152) Connection Size	<input type="checkbox"/>



Job Name _____ Contractor _____

Job Location _____ Contractor's P.O. No. _____

Engineer _____ Representative _____

WATTS Drainage reserves the right to modify or change product design or construction without prior notice and without incurring any obligation to make similar changes and modifications to products previously or subsequently sold. See your WATTS Drainage representative for any clarification. Dimensions are subject to manufacturing tolerances.