



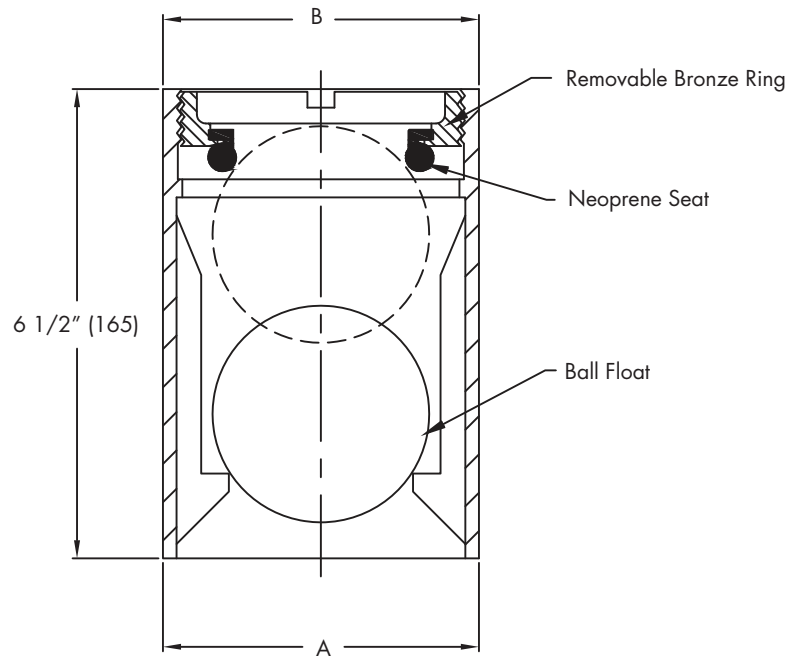
BV-300

Tag: _____

Ball Float Backwater Valve

SPECIFICATION: Watts Drainage BV-300 epoxy coated cast iron ball float backwater valve with removable bronze ring and no hub connections.

Pipe Sizing (Select One)		
Suffix	Description	
2	2"(51) Connection Size	<input type="checkbox"/>
3	3"(76) Connection Size	<input type="checkbox"/>
4	4"(102) Connection Size	<input type="checkbox"/>



Size	A	B
2" (51)	2-11/32" (59)	3-3/8" (86)
3" (76)	3-3/8" (86)	3-3/8" (86)
4" (102)	4-3/8" (111)	4-3/8" (111)

Job Name _____ Contractor _____

Job Location _____ Contractor's P.O. No. _____

Engineer _____ Representative _____

WATTS Drainage reserves the right to modify or change product design or construction without prior notice and without incurring any obligation to make similar changes and modifications to products previously or subsequently sold. See your WATTS Drainage representative for any clarification. Dimensions are subject to manufacturing tolerances.



Specification Drainage Products

USA: 100 Watts Road, Spindale, NC, 28160-2298; TEL: 828-288-2179 TOLL-FREE: 1-800-338-2581 www.watts.com