

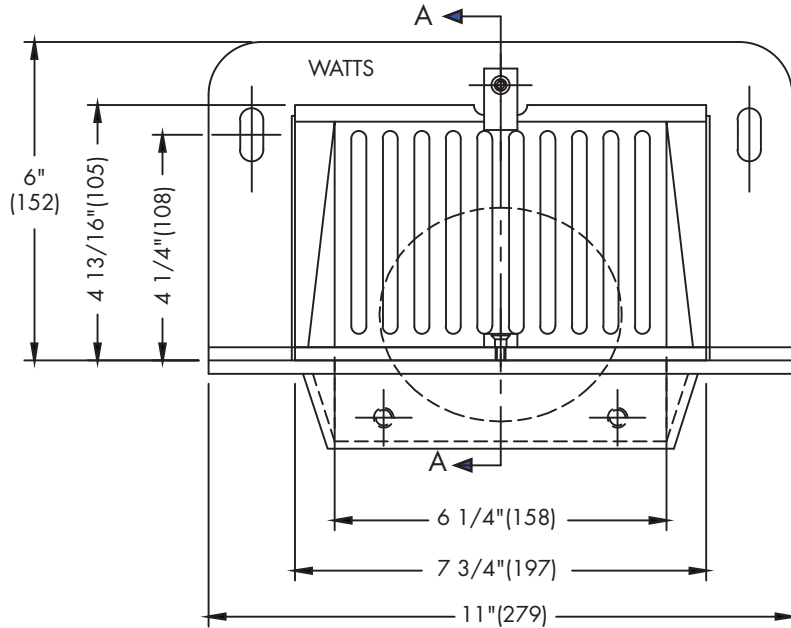


**BV-600**

Tag: \_\_\_\_\_

**Pit Drain with Backwater Valve**

**SPECIFICATION:** Watts Drainage Products BV-600 epoxy coated cast iron pit type drain with removable backwater valve and seat. Suitable for use in elevator pits and other low lying applications.



Front View

Order Code: BV-60

Ex. BV-602-1

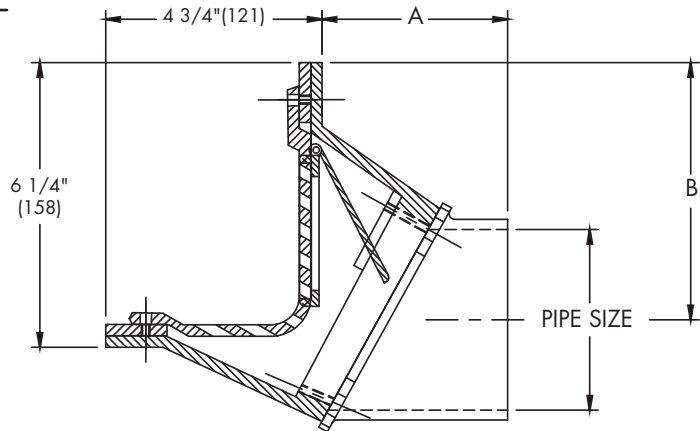
Pipe Sizing (Select One)		
Suffix	Description	
2	2"(51) Pipe Size	<input type="checkbox"/>
3	3"(76) Pipe Size	<input type="checkbox"/>
4	4"(102) Pipe Size	<input type="checkbox"/>

Grate (Select One)		
Suffix	Description	
-1	Nickel Bronze Grate/Clamp	<input type="checkbox"/>
-50	Cast Iron Grate/Clamp	<input type="checkbox"/>

Options (Select One or More)		
Suffix	Description	
-6	Vandal Resistant	<input type="checkbox"/>
-13	All Galvanized	<input type="checkbox"/>
-14	Flat Grate	<input type="checkbox"/>

Pipe Size	No Hub (MJ)	
	A	B
2"(51)	5-1/8"(130)	6-1/2"(165)
3"(76)	4-1/2"(114)	5-3/4"(146)
4"(102)	4"(102)	5-1/8"(130)
6"(152)	3-1/2"(90)	4-13/16"(122)

<b>Free Area</b> Sq. In.
<b>15</b>



Side View

Job Name \_\_\_\_\_

Contractor \_\_\_\_\_

Job Location \_\_\_\_\_

Contractor's P.O. No. \_\_\_\_\_

Engineer \_\_\_\_\_

Representative \_\_\_\_\_

Watts product specifications in U.S. customary units and metric are approximate and are provided for reference only. For precise measurements, please contact Watts Technical Service. Watts reserves the right to change or modify product design, construction, specifications, or materials without prior notice and without incurring any obligation to make such changes and modifications on Watts products previously or subsequently sold.

**USA:** Tel: (800) 338-2581 • Fax: (828) 248-3929 • Watts.com  
**Canada:** Tel: (905) 332-4090 • Fax: (905) 332-7068 • Watts.ca  
**Latin America:** Tel: (52) 81-1001-8600 • Fax: (52) 81-8000-7091 • Watts.com



A Watts Water Technologies Company