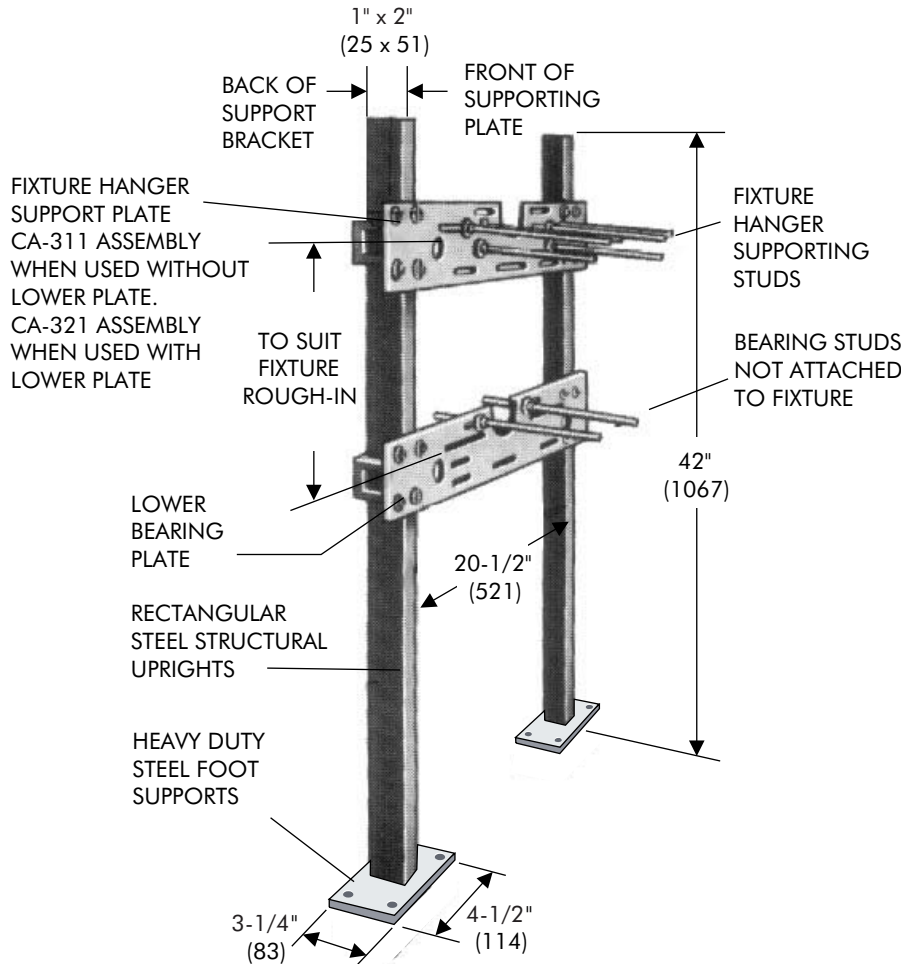


CA-311

SPECIFICATION: Watts Drainage Products CA-311 floor mounted urinal carrier with heavy gauge steel uprights with integral welded feet, universal steel hanger support plate, and plated hardware.

CA-321

SPECIFICATION: Watts Drainage Products CA-321 floor mounted urinal carrier with heavy gauge steel uprights with integral welded feet, universal steel hanger support plate and bottom bearing plate, and plated hardware.



Order Code: **CA-311-**
OR CA-321-

Ex. CA-311-M51

Options (Select One or More)		
Suffix	Description	
-M51	Wall Thickness over 5", per add inch (single)	<input type="checkbox"/>
-M52	Wall Thickness over 12", per inch (Back to Back)	<input type="checkbox"/>
-M53	Vandal Proof Trim, Single	<input type="checkbox"/>
-M59	Floor to Ceiling Adaptor, Single	<input type="checkbox"/>
-M60	Valve Supporting Plate, Single	<input type="checkbox"/>
-M61	Valve Supporting Bar, Single	<input type="checkbox"/>
-M62	Flush Valve Piping Support, Single	<input type="checkbox"/>

NOTE: FOOT SUPPORTS SHOULD BE SECURELY ANCHORED TO FLOOR WITH 1/2" BOLTS AND ANCHORS BY OTHERS.

NOTE: Recommended for support of wall-hung urinals independent of wall.

Job Name _____ Contractor _____

Job Location _____ Contractor's P.O. No. _____

Engineer _____ Representative _____

WATTS Drainage reserves the right to modify or change product design or construction without prior notice and without incurring any obligation to make similar changes and modifications to products previously or subsequently sold. See your WATTS Drainage representative for any clarification. Dimensions are subject to manufacturing tolerances.