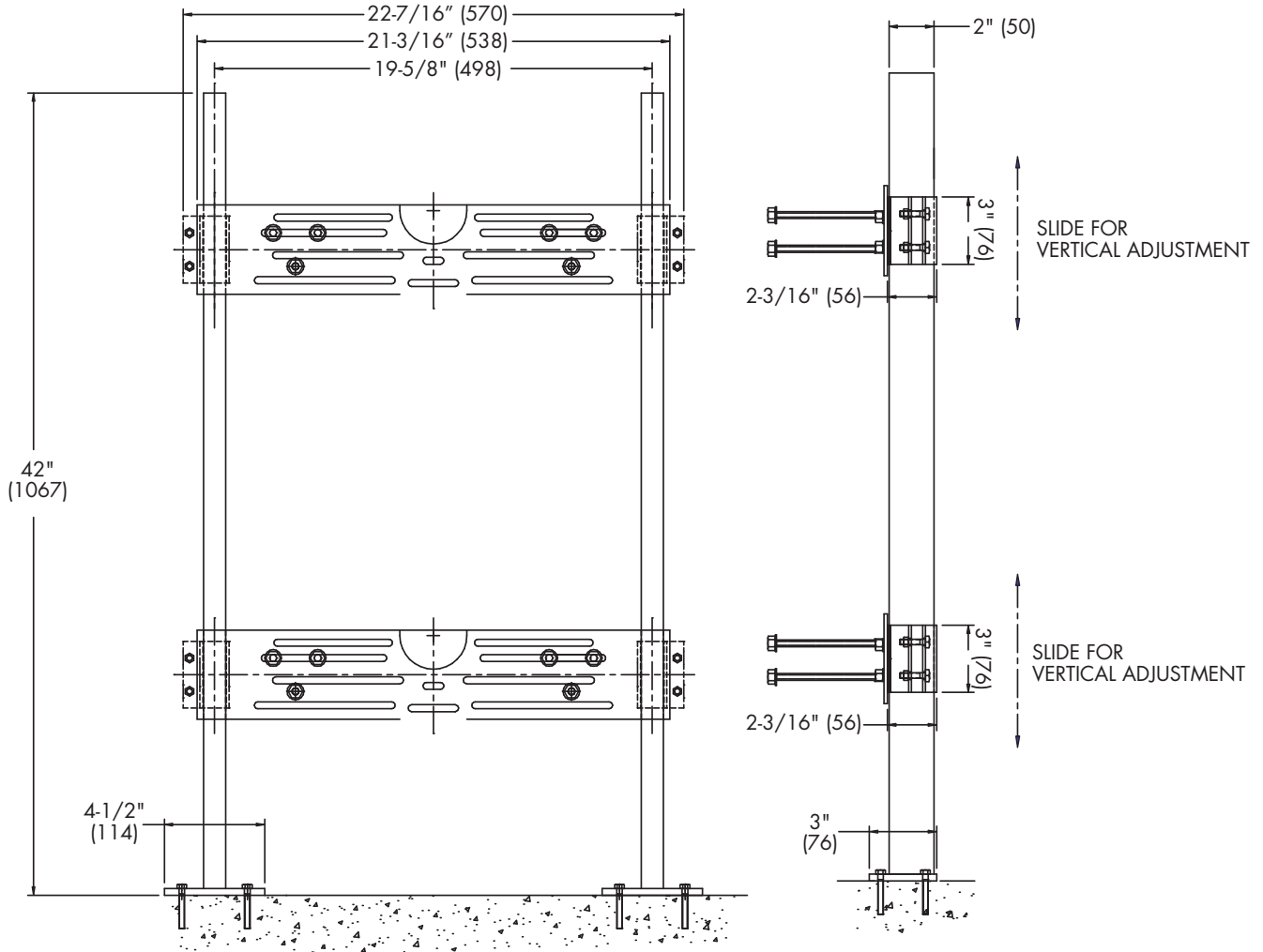




CA-321
Tag: _____

Floor Mounted Urinal Carrier with Bearing Plate

SPECIFICATION: Watts Drainage CA-321 epoxy coated floor mounted urinal carrier with heavy guage steel offset uprights with welded feet, universal steel hangar support plate and bottom bearing plate with integral mounting brackets, and plated hardware.



Note: Anchor legs to concrete floor with minimum 1/2" (13) anchor bolts (by others).

Option	
Suffix	Description
-US	Buy American Compliant <input type="checkbox"/>

Job Name _____ Contractor _____

Job Location _____ Contractor's P.O. No. _____

Engineer _____ Representative _____

WATTS Drainage reserves the right to modify or change product design or construction without prior notice and without incurring any obligation to make similar changes and modifications to products previously or subsequently sold. See your WATTS Drainage representative for any clarification. Dimensions are subject to manufacturing tolerances.



Specification Drainage Products

USA: 100 Watts Road, Spindale, NC, 28160-2298; TEL: 828-288-2179 TOLL-FREE: 1-800-338-2581 www.watts.com