

For Commercial Applications

Job Name _____
 Job Location _____
 Engineer _____
 Approval _____
 Tag _____

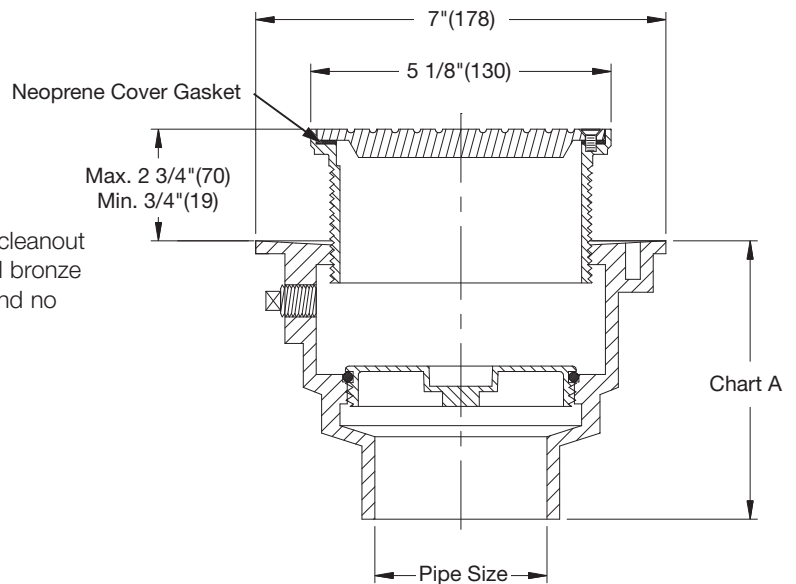
Contractor _____
 Approval _____
 Contractor's P.O. No. _____
 Representative _____

CO-200-RX

Floor Cleanout with Heavy Duty Round Top

Specification

Watts Drainage CO-200-RX epoxy coated cast iron floor cleanout with 5" (127) round adjustable gasketed heavy duty nickel bronze top, removable gas tight gasketed brass cleanout plug, and no hub (standard) outlet.



Pipe Sizing (Select One)		
Suffix	Description	
2	2" (51) Pipe Size	<input type="checkbox"/>
3	3" (76) Pipe Size	<input type="checkbox"/>
4	4" (102) Pipe Size	<input type="checkbox"/>

Outlet Type (Select One)		
Suffix	Description	
NH	No Hub (MJ)	<input type="checkbox"/>
P	Push On	<input type="checkbox"/>
X	Inside Caulk	<input type="checkbox"/>

Options (Select One or More)		
Suffix	Description	
-C	Membrane Clamp	<input type="checkbox"/>
-6	Vandal Proof	<input type="checkbox"/>
-13	Galvanized Body	<input type="checkbox"/>
-US	Buy American Compliant	<input type="checkbox"/>

Optional Body Material		
Suffix	Description	
-60	PVC Body w/Poly Plug	<input type="checkbox"/>
-61	ABS Body w/Poly Plug	<input type="checkbox"/>

Load Rating

***XHD**

Chart A			
Pipe Size	NH	Push-On	PVC/ABS
2"	4-3/4"	5-1/2"	4"
3"	4-3/4"	5-1/2"	4"
4"	4-3/4"	5-1/2"	4"

NOTICE

The load classifications are in accordance with the American National Standards ASME A112.21.1M ASME Ratings are as follows: XHD - Safe Live Load 7500-10000 lbs.(3375-4500kg)
 The above categories are given as a guide only. Please consult factory.

NOTICE

The information contained herein is not intended to replace the full product installation and safety information available or the experience of a trained product installer. You are required to thoroughly read all installation instructions and product safety information before beginning the installation of this product.

Watts product specifications in U.S. customary units and metric are approximate and are provided for reference only. For precise measurements, please contact Watts Technical Service. Watts reserves the right to change or modify product design, construction, specifications, or materials without prior notice and without incurring any obligation to make such changes and modifications on Watts products previously or subsequently sold.



USA: T: (800) 338-2581 • F: (828) 248-3929 • Watts.com
Canada: T: (905) 332-4090 • F: (905) 332-7068 • Watts.ca
Latin America: T: (52) 81-1001-8600 • Watts.com