

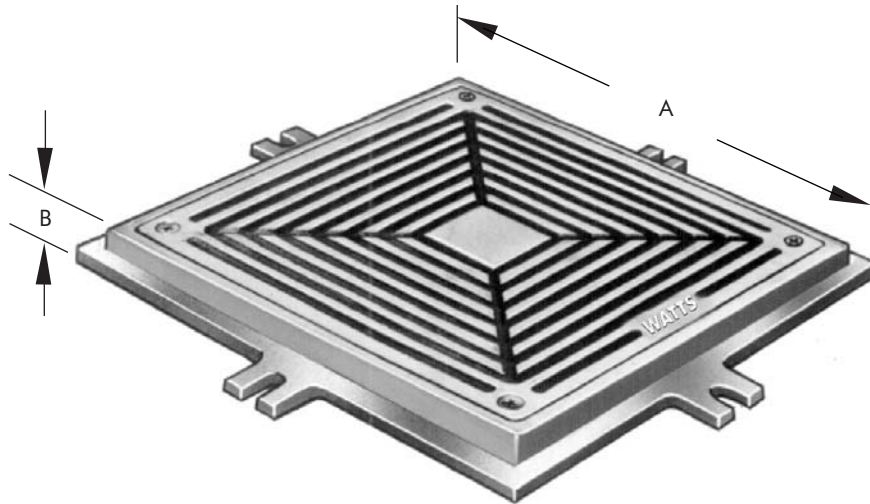
**SPECIFICATION:** Watts Drainage Products CO-300-S square nickel bronze access cover with concealed mounting flanges and scoriated cover.

Order Code: CO-300- - 1 -

Ex. CO-300-S7-1-6

Cover Size(Select One)		
Suffix	Description	<input type="checkbox"/>
S7	7"x7" (178x178)	<input type="checkbox"/>
S9	9"x9" (229x229)	<input type="checkbox"/>
S12	12"x12" (305x305)	<input type="checkbox"/>

Options (Select One or More)		
Suffix	Description	<input type="checkbox"/>
-6	Vandal Proof	<input type="checkbox"/>
-T	Tile Recess Cover(CO-300-S9)	<input type="checkbox"/>
-13	Hot Dip Galvanized Body	<input type="checkbox"/>



Suffix	A	B	Load Rating
S7	7	3/4	*MD
S9	9-1/2	1	*MD
S12	12-1/2	1	*HD

\* The load classifications are in accordance with the American National Standards ASME A112.21.1M ASME Ratings are as follows:  
MD - Safe Live Load 2000-4999 lbs.(900-2250kg)  
HD - Safe Live Load 5000-7499 lbs.(2250-3375kg)  
The above categories are given as a guide only.  
Please consult factory.

Job Name \_\_\_\_\_ Contractor \_\_\_\_\_

Job Location \_\_\_\_\_ Contractor's P.O. No. \_\_\_\_\_

Engineer \_\_\_\_\_ Representative \_\_\_\_\_

WATTS Drainage reserves the right to modify or change product design or construction without prior notice and without incurring any obligation to make similar changes and modifications to products previously or subsequently sold. See your WATTS Drainage representative for any clarification. Dimensions are subject to manufacturing tolerances.