

For Commercial Applications

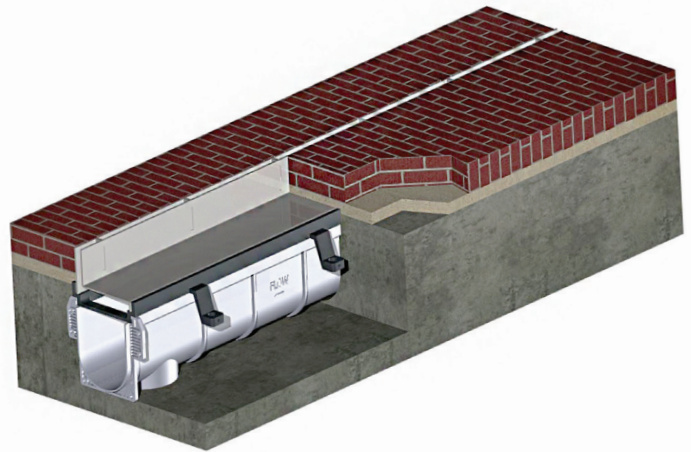
Job Name _____
 Job Location _____
 Engineer _____
 Approval _____
 Tag _____

Contractor _____
 Approval _____
 Contractor's P.O. No. _____
 Representative _____

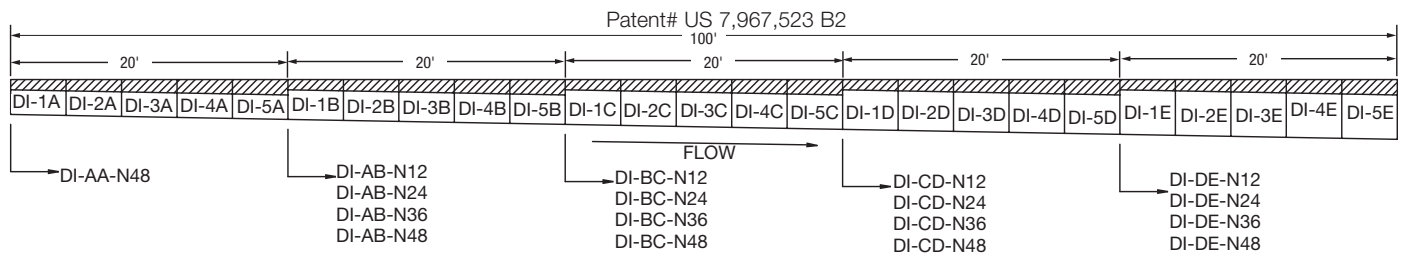
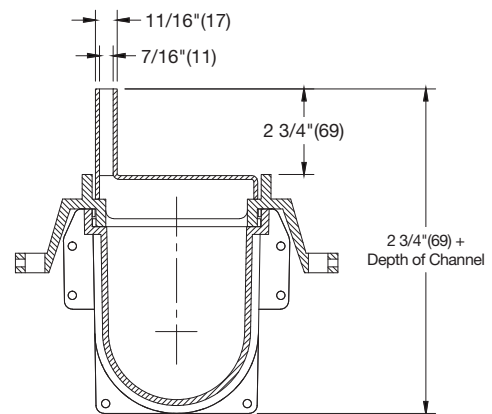
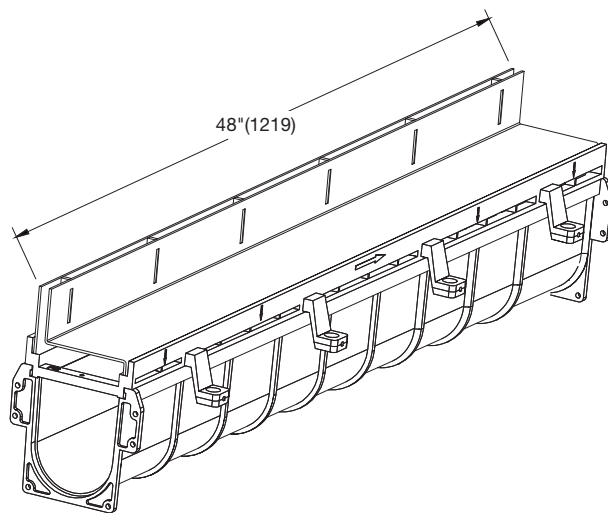
Dead Level® BK Pre-Sloped Polypropylene Trench Drain System with Ductile Iron Frame & Brickslot Grate

Specification

Watts Dead Level® BK Pre-Sloped Trench Drain System with 6"(152) wide x 48"(1219) long (standard) ductile iron frame, UV stabilized talc-filled polypropylene channels with integral 4"(102) No Hub bottom outlet(s). System shall be frame-anchored, with BK grating. System to include frame connectors, grate lock-downs, and construction covers. Installation to be performed in accordance with manufacturer's instructions and building code.



Suffix	Options (Select One or More) Description	
-B6	6"x24"x24" Catch Basin	<input type="checkbox"/>
-B6T	6"x24"x24" Catch Basin w/Trash Basket	<input type="checkbox"/>
-FS	Stainless Steel Frame Guard	<input type="checkbox"/>



Watts product specifications in U.S. customary units and metric are approximate and are provided for reference only. For precise measurements, please contact Watts Technical Service. Watts reserves the right to change or modify product design, construction, specifications, or materials without prior notice and without incurring any obligation to make such changes and modifications on Watts products previously or subsequently sold.



Dead Level® BK Dimensional Data

Part #	Configuration	Length	Weight (lbs.)	Dim. A	Dim. B
DI-AA-N48	Neutral	48" (1219)	31	5-5/8" (143)	5-5/8" (143)
DI-1A	Sloped	48" (1219)	31	5-5/8" (143)	5-15/16" (151)
DI-2A	Sloped	48" (1219)	38	5-15/16" (151)	6-1/4" (159)
DI-3A	Sloped	48" (1219)	40	6-1/4" (159)	6-9/16" (167)
DI-4A	Sloped	48" (1219)	43	6-9/16" (167)	6-7/8" (175)
DI-5A	Sloped	48" (1219)	45	6-7/8" (175)	7-3/16" (183)
DI-AB-N12	Neutral	12" (305)	9	7-3/16" (183)	7-3/16" (183)
DI-AB-N24	Neutral	24" (610)	18	7-3/16" (183)	7-3/16" (183)
DI-AB-N36	Neutral	36" (914)	26	7-3/16" (183)	7-3/16" (183)
DI-AB-N48	Neutral	48" (1219)	32	7-3/16" (183)	7-3/16" (183)
DI-1B	Sloped	48" (1219)	32	7-3/16" (183)	7-1/2" (191)
DI-2B	Sloped	48" (1219)	39	7-1/2" (191)	7-13/16" (198)
DI-3B	Sloped	48" (1219)	41	7-13/16" (198)	8-1/8" (206)
DI-4B	Sloped	48" (1219)	44	8-1/8" (206)	8-7/16" (214)
DI-5B	Sloped	48" (1219)	46	8-7/16" (214)	8-3/4" (222)
DI-BC-N12	Neutral	12" (305)	9	8-3/4" (222)	8-3/4" (222)
DI-BC-N24	Neutral	24" (610)	18	8-3/4" (222)	8-3/4" (222)
DI-BC-N36	Neutral	36" (914)	26	8-3/4" (222)	8-3/4" (222)
DI-BC-N48	Neutral	48" (1219)	32	8-3/4" (222)	8-3/4" (222)
DI-1C	Sloped	48" (1219)	33	8-3/4" (222)	9-1/16" (230)
DI-2C	Sloped	48" (1219)	40	9-1/16" (230)	9-3/8" (238)
DI-3C	Sloped	48" (1219)	42	9-3/8" (238)	9-11/16" (246)
DI-4C	Sloped	48" (1219)	45	9-11/16" (246)	10" (254)
DI-5C	Sloped	48" (1219)	47	10" (254)	10-5/16" (262)
DI-CD-N12	Neutral	12" (305)	9	10-5/16" (262)	10-5/16" (262)
DI-CD-N24	Neutral	24" (610)	18	10-5/16" (262)	10-5/16" (262)
DI-CD-N36	Neutral	36" (914)	26	10-5/16" (262)	10-5/16" (262)
DI-CD-N48	Neutral	48" (1219)	32	10-5/16" (262)	10-5/16" (262)
DI-1D	Sloped	48" (1219)	34	10-5/16" (262)	10-5/8" (270)
DI-2D	Sloped	48" (1219)	41	10-5/8" (270)	10-15/16" (278)
DI-3D	Sloped	48" (1219)	43	10-15/16" (278)	11-1/4" (286)
DI-4D	Sloped	48" (1219)	46	11-1/4" (286)	11-9/16" (294)
DI-5D	Sloped	48" (1219)	48	11-9/16" (294)	11-7/8" (302)
DI-DE-N12	Neutral	12" (305)	10	11-7/8" (302)	11-7/8" (302)
DI-DE-N24	Neutral	24" (610)	19	11-7/8" (302)	11-7/8" (302)
DI-DE-N36	Neutral	36" (914)	27	11-7/8" (302)	11-7/8" (302)
DI-DE-N48	Neutral	48" (1219)	33	11-7/8" (302)	11-7/8" (302)
DI-1E	Sloped	48" (1219)	35	11-7/8" (302)	12-3/16" (310)
DI-2E	Sloped	48" (1219)	42	12-3/16" (310)	12-1/2" (318)
DI-3E	Sloped	48" (1219)	44	12-1/2" (318)	12-13/16" (325)
DI-4E	Sloped	48" (1219)	47	12-13/16" (325)	13-1/8" (333)
DI-5E	Sloped	48" (1219)	49	13-1/8" (333)	13-7/16" (341)

NOTICE

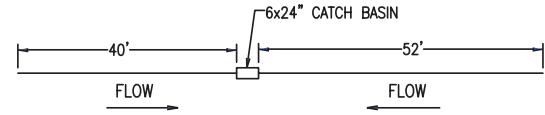
The information contained herein is not intended to replace the full product installation and safety information available or the experience of a trained product installer. You are required to thoroughly read all installation instructions and product safety information before beginning the installation of this product.



How to Configure & Order Dead Level® Trench System

1. Sketch General Layout

For each separate trench configuration show length(s), position of outlet(s), direction of flow(s), and position of catch basins (if required).



2. Specify Frame

Ductile Iron
Polypropylene

Ordering Code

D or DX
P

3. Specify Length in Feet

(Do not include Catch Basins)

Numeric

4. Specify Outlet

Straight Run End Outlet
Straight Run Center Outlet
Other Configuration

EO
CO
XO

5. Select BK Grating

6. Specify Catch Basin

(If Required)
6x6x24" Catch Basin

B6

7. Specify Frame Guards

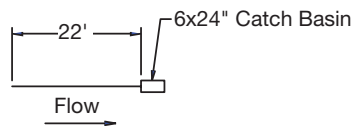
(If Required)
Stainless Steel

FS

8a. Configure Straight Run (EO or CO)

EX. P22-EO-BK-B6-FS

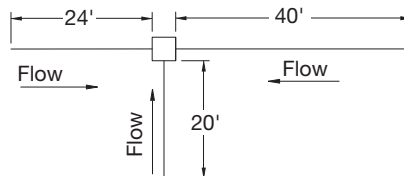
P = Polypropylene
22 = Trench Length in Feet
EO = End Outlet
BK = Brickslot
B6 = 6x24x24" Catch Basin
FS = Stainless Steel Frame Guard



8b. Configure Special Run (XO)

EX. D84-XO-DI

D = Ductile Iron Frame
84 = Trench Length in Feet
XO = Other Configuration (Provide Sketch or Describe)
DI = Ductile Iron



USA: Tel: (978) 689-6066 • Fax: (978) 975-8350 • Watts.com

Canada: Tel: (905) 332-4090 • Fax: (905) 332-7068 • Watts.ca

Latin America: Tel: (52) 81-1001-8600 • Watts.com