

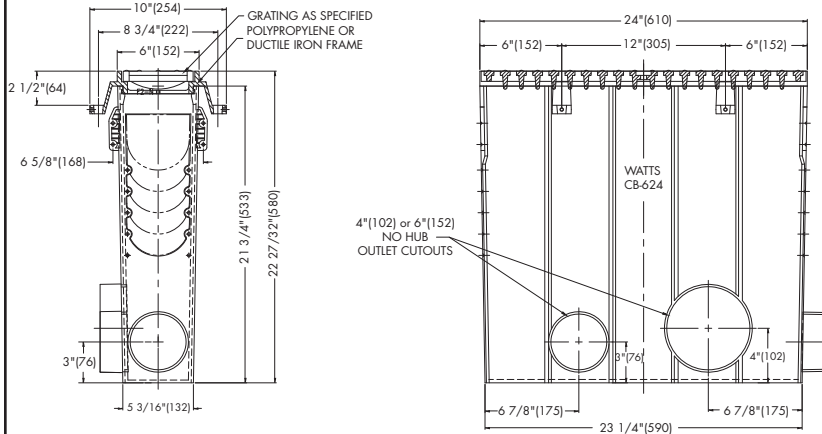


**CB-624/CB-2424**  
 Tag: \_\_\_\_\_

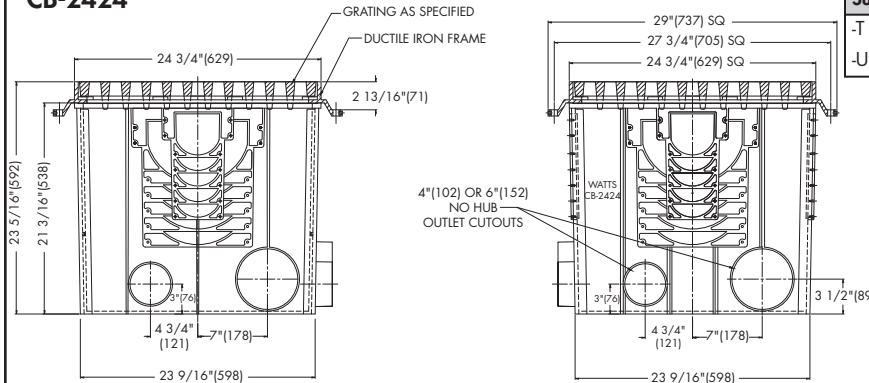
**Dead Level Trench  
 Drain System Catch Basins**

**SPECIFICATION:** CB-624 or CB-2424 Catch Basin for Watts Dead Level Pre-Sloped Trench Drain System, 6"(152) or 24"(610) (specify) wide x 24"(610) long x 24"(610) deep, with UV stabilized talc-filled polypropylene body with 4"(102) and 6"(152) no hub outlet connections, and polypropylene (6" wide only) or ductile iron frame. Catch Basin shall be frame-anchored, with (specify) grating and lockdowns to suit DIN Class (specify) load rating. Installation to be performed in accordance with manufacturer's recommendations.

**CB-624**



**CB-2424**



Grate Options:		
Suffix	Description	
<b>CB-624P 6x24x24" w/Polypropylene Frame</b>		
BR	Decorative Bronze	Class B <input type="checkbox"/>
DI	Ductile Iron	Class C <input type="checkbox"/>
DI-ADA	Ductile Iron ADA	Class C <input type="checkbox"/>
PP	Polypropylene	Class A <input type="checkbox"/>
GP	Galvanized Perforated	Class A <input type="checkbox"/>
GS	Galvanized Slotted	Class A <input type="checkbox"/>
RGP	Reinforced Galvanized Perforated	Class C <input type="checkbox"/>
RGS	Reinforced Galvanized Slotted	Class C <input type="checkbox"/>
SP	Stainless Steel Perforated	Class A <input type="checkbox"/>
SS	Stainless Steel Slotted	Class A <input type="checkbox"/>
RSP	Reinforced Stainless Steel Perforated	Class C <input type="checkbox"/>
RSS	Reinforced Stainless Steel Slotted	Class C <input type="checkbox"/>
SCI	Solid Cast Iron	Class C <input type="checkbox"/>
<b>CB-624D 6x24x24" w/Ductile Iron Frame</b>		
BR	Decorative Bronze	Class B <input type="checkbox"/>
DI	Ductile Iron	Class F <input type="checkbox"/>
DI-ADA	Ductile Iron ADA	Class F <input type="checkbox"/>
PP	Polypropylene	Class A <input type="checkbox"/>
GP	Galvanized Perforated	Class A <input type="checkbox"/>
GS	Galvanized Slotted	Class A <input type="checkbox"/>
RGP	Reinforced Galvanized Perforated	Class C <input type="checkbox"/>
RGS	Reinforced Galvanized Slotted	Class D <input type="checkbox"/>
SP	Stainless Steel Perforated	Class A <input type="checkbox"/>
SS	Stainless Steel Slotted	Class A <input type="checkbox"/>
RSP	Reinforced Stainless Steel Perforated	Class D <input type="checkbox"/>
RSS	Reinforced Stainless Steel Slotted	Class E <input type="checkbox"/>
SCI	Solid Cast Iron	Class F <input type="checkbox"/>
<b>CB-2424 24x24x24" w/Ductile Iron Frame</b>		
None	Ductile Iron	Class F <input type="checkbox"/>
-RGS	Reinforced Galvanized Slotted	Class F <input type="checkbox"/>
-RSS	Reinforced Stainless Steel	Class F <input type="checkbox"/>

Options		
Suffix	Description	
-T	Trash Basket	<input type="checkbox"/>
-US	Buy American Compliant	<input type="checkbox"/>

Job Name \_\_\_\_\_ Contractor \_\_\_\_\_  
 Job Location \_\_\_\_\_ Contractor's P.O. No. \_\_\_\_\_  
 Engineer \_\_\_\_\_ Representative \_\_\_\_\_

Watts product specifications in U.S. customary units and metric are approximate and are provided for reference only. For precise measurements, please contact Watts Technical Service. Watts reserves the right to change or modify product design, construction, specifications, or materials without prior notice and without incurring any obligation to make such changes and modifications on Watts products previously or subsequently sold.

**USA:** Tel: (800) 338-2581 • Fax: (828) 248-3929 • Watts.com  
**Canada:** Tel: (905) 332-4090 • Fax: (905) 332-7068 • Watts.ca  
**Latin America:** Tel: (52) 81-1001-8600 • Fax: (52) 81-8000-7091 • Watts.com

