

For Commercial Applications

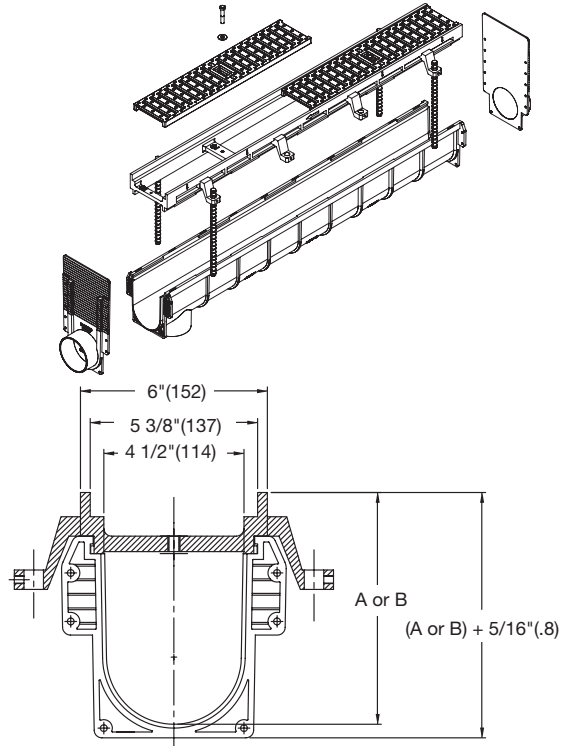
Job Name _____
 Job Location _____
 Engineer _____
 Approval _____
 Tag _____

Contractor _____
 Approval _____
 Contractor's P.O. No. _____
 Representative _____

Dead Level® D Pre-Sloped Polypropylene Trench Drain System with Ductile Iron Frame

Specification

Watts Dead Level® D Pre-Sloped Trench Drain System with 6"(152) wide x 48"(1219) long (standard) ductile iron frame, UV stabilized talc-filled polypropylene channels with integral 4"(102) No Hub bottom outlet(s). System shall be frame-anchored, with (specify) grating to suit DIN Class (specify) load rating. System to include frame connectors, grate lockdowns, and construction covers. Installation to be performed in accordance with manufacturer's instructions and building code.

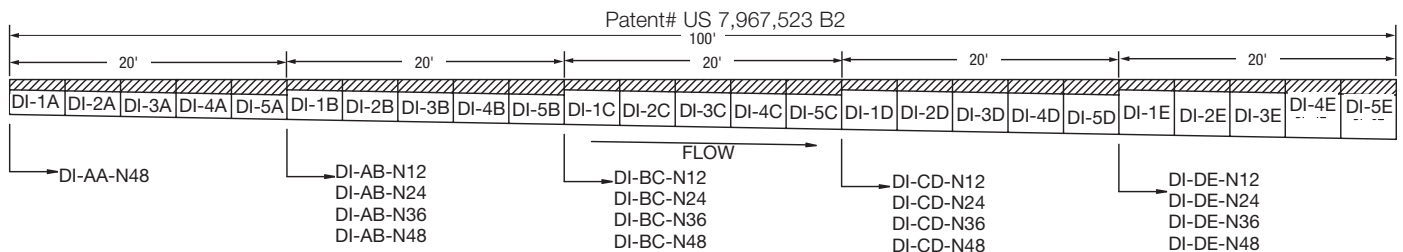


Grate Options		
Suffix	Description	
-BK	Stainless Steel Brickslot	Class E <input type="checkbox"/>
-BR	Decorative Bronze	Class B <input type="checkbox"/>
-DI	Ductile Iron	Class F <input type="checkbox"/>
-DI-ADA	Ductile Iron ADA	Class F <input type="checkbox"/>
-GDI	Galvanized Ductile Iron	Class F <input type="checkbox"/>
-PP	Polypropylene	Class C <input type="checkbox"/>
-GP	Galvanized Perforated	Class A <input type="checkbox"/>
-GS	Galvanized Slotted	Class A <input type="checkbox"/>
-RGP	Reinforced Galvanized Perforated	Class E <input type="checkbox"/>
-RGS	Reinforced Galvanized Slotted	Class E <input type="checkbox"/>
-SP	Stainless Steel Perforated	Class A <input type="checkbox"/>
-SS	Stainless Steel Slotted	Class A <input type="checkbox"/>
-RSP	Reinforced Stainless Steel Perforated	Class E <input type="checkbox"/>
-RSS	Reinforced Stainless Steel Slotted	Class E <input type="checkbox"/>
-SCI	Solid Cast Iron	Class F <input type="checkbox"/>

Options (Select One or More)		
Suffix	Description	
-B6	6"x24"x24" Catch Basin	<input type="checkbox"/>
-B6T	6"x24"x24" Catch Basin w/Trash Basket	<input type="checkbox"/>
-B24	24"x24"x24" Catch Basin (DI Grate Only)	<input type="checkbox"/>
-B24T	24"x24"x24" Catch Basin w/Trash Basket (DI Grate Only)	<input type="checkbox"/>
-FB	Bronze Frame Guard	<input type="checkbox"/>
-FG	Galvanized Steel Frame Guard	<input type="checkbox"/>
-FS	Stainless Steel Frame Guard	<input type="checkbox"/>
-VP	Vandal Proof Grate Lockdowns	<input type="checkbox"/>

Ordered Separate:

EDP	Part No.	Description
8189344	DL-SB	Outlet Strainer/Sediment Bucket



Watts product specifications in U.S. customary units and metric are approximate and are provided for reference only. For precise measurements, please contact Watts Technical Service. Watts reserves the right to change or modify product design, construction, specifications, or materials without prior notice and without incurring any obligation to make such changes and modifications on Watts products previously or subsequently sold.



Dead Level® D Dimensional Data

Part #	Configuration	Length	Weight (lbs.)	Dim. A	Dim. B
DI-AA-N48	Neutral	48" (1219)	31	5-5/8" (143)	5-5/8" (143)
DI-1A	Sloped	48" (1219)	31	5-5/8" (143)	5-15/16" (151)
DI-2A	Sloped	48" (1219)	38	5-15/16" (151)	6-1/4" (159)
DI-3A	Sloped	48" (1219)	40	6-1/4" (159)	6-9/16" (167)
DI-4A	Sloped	48" (1219)	43	6-9/16" (167)	6-7/8" (175)
DI-5A	Sloped	48" (1219)	45	6-7/8" (175)	7-3/16" (183)
DI-AB-N12	Neutral	12" (305)	9	7-3/16" (183)	7-3/16" (183)
DI-AB-N24	Neutral	24" (610)	18	7-3/16" (183)	7-3/16" (183)
DI-AB-N36	Neutral	36" (914)	26	7-3/16" (183)	7-3/16" (183)
DI-AB-N48	Neutral	48" (1219)	32	7-3/16" (183)	7-3/16" (183)
DI-1B	Sloped	48" (1219)	32	7-3/16" (183)	7-1/2" (191)
DI-2B	Sloped	48" (1219)	39	7-1/2" (191)	7-13/16" (198)
DI-3B	Sloped	48" (1219)	41	7-13/16" (198)	8-1/8" (206)
DI-4B	Sloped	48" (1219)	44	8-1/8" (206)	8-7/16" (214)
DI-5B	Sloped	48" (1219)	46	8-7/16" (214)	8-3/4" (222)
DI-BC-N12	Neutral	12" (305)	9	8-3/4" (222)	8-3/4" (222)
DI-BC-N24	Neutral	24" (610)	18	8-3/4" (222)	8-3/4" (222)
DI-BC-N36	Neutral	36" (914)	26	8-3/4" (222)	8-3/4" (222)
DI-BC-N48	Neutral	48" (1219)	32	8-3/4" (222)	8-3/4" (222)
DI-1C	Sloped	48" (1219)	33	8-3/4" (222)	9-1/16" (230)
DI-2C	Sloped	48" (1219)	40	9-1/16" (230)	9-3/8" (238)
DI-3C	Sloped	48" (1219)	42	9-3/8" (238)	9-11/16" (246)
DI-4C	Sloped	48" (1219)	45	9-11/16" (246)	10" (254)
DI-5C	Sloped	48" (1219)	47	10" (254)	10-5/16" (262)
DI-CD-N12	Neutral	12" (305)	9	10-5/16" (262)	10-5/16" (262)
DI-CD-N24	Neutral	24" (610)	18	10-5/16" (262)	10-5/16" (262)
DI-CD-N36	Neutral	36" (914)	26	10-5/16" (262)	10-5/16" (262)
DI-CD-N48	Neutral	48" (1219)	32	10-5/16" (262)	10-5/16" (262)
DI-1D	Sloped	48" (1219)	34	10-5/16" (262)	10-5/8" (270)
DI-2D	Sloped	48" (1219)	41	10-5/8" (270)	10-15/16" (278)
DI-3D	Sloped	48" (1219)	43	10-15/16" (278)	11-1/4" (286)
DI-4D	Sloped	48" (1219)	46	11-1/4" (286)	11-9/16" (294)
DI-5D	Sloped	48" (1219)	48	11-9/16" (294)	11-7/8" (302)
DI-DE-N12	Neutral	12" (305)	10	11-7/8" (302)	11-7/8" (302)
DI-DE-N24	Neutral	24" (610)	19	11-7/8" (302)	11-7/8" (302)
DI-DE-N36	Neutral	36" (914)	27	11-7/8" (302)	11-7/8" (302)
DI-DE-N48	Neutral	48" (1219)	33	11-7/8" (302)	11-7/8" (302)
DI-1E	Sloped	48" (1219)	35	11-7/8" (302)	12-3/16" (310)
DI-2E	Sloped	48" (1219)	42	12-3/16" (310)	12-1/2" (318)
DI-3E	Sloped	48" (1219)	44	12-1/2" (318)	12-13/16" (325)
DI-4E	Sloped	48" (1219)	47	12-13/16" (325)	13-1/8" (333)
DI-5E	Sloped	48" (1219)	49	13-1/8" (333)	13-7/16" (341)

NOTICE

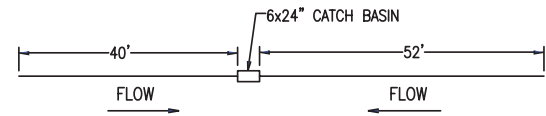
The information contained herein is not intended to replace the full product installation and safety information available or the experience of a trained product installer. You are required to thoroughly read all installation instructions and product safety information before beginning the installation of this product.



How to Configure & Order Dead Level® Trench System

1. Sketch General Layout

For each separate trench configuration show length(s), position of outlet(s), direction of flow(s), and position of catch basins (if required).



2. Specify Frame

Ductile Iron
Polypropylene

Ordering Code

D or DX
P

3. Specify Length in Feet

(Do not include Catch Basins)

Numeric

4. Specify Outlet

Straight Run End Outlet
Straight Run Center Outlet
Other Configuration

EO
CO
XO

5. Specify Grating

Stainless Steel Brickslot
Decorative Bronze*
Ductile Iron
ADA Ductile Iron
Galvanized Ductile Iron
Galvanized Steel Slotted
Galvanized Steel Perforated
Stainless Steel Slotted
Stainless Steel Perforated
Reinforced Galvanized Steel Slotted
Reinforced Galvanized Steel Perforated
Reinforced Stainless Steel Slotted
Reinforced Stainless Steel Perforated
Polypropylene

BK
BR
DI
DI-ADA
GDI
GS
GP
SS
SP
RGS
RGP
RSS
RSP
PP

6. Specify Catch Basin

(If Required)
6x6x24" Catch Basin
24x24x24" Catch Basin

B6
B24

7. Specify Frame Guards

(If Required)
Galvanized Steel
Stainless Steel

FG
FS

8a. Configure Straight Run (EO or CO)

EX. P22-EO-RSS-B6-FS

P = Polypropylene
22 = Trench Length in Feet
EO = End Outlet
RSS = Reinforced Stainless Steel Slotted Grates
B6 = 6x24x24" Catch Basin
FS = Stainless Steel Frame Guard

8b. Configure Special Run (XO)

EX. D84-XO-DI-B24

D = Ductile Iron Frame
84 = Trench Length in Feet
XO = Other Configuration (Provide Sketch or Describe)
DI = Ductile Iron
B24 = 24x24x24" Catch Basin

